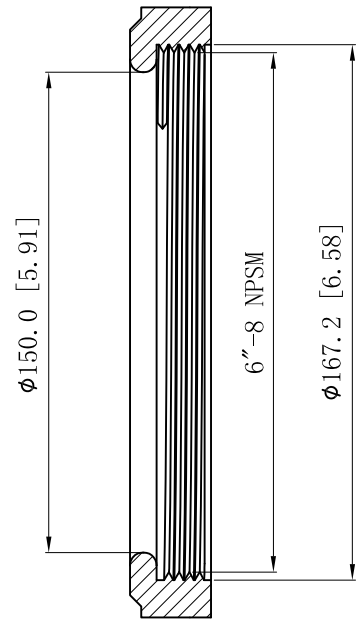
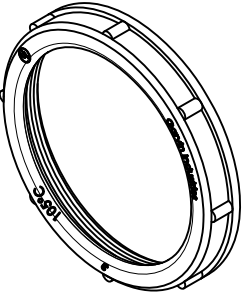
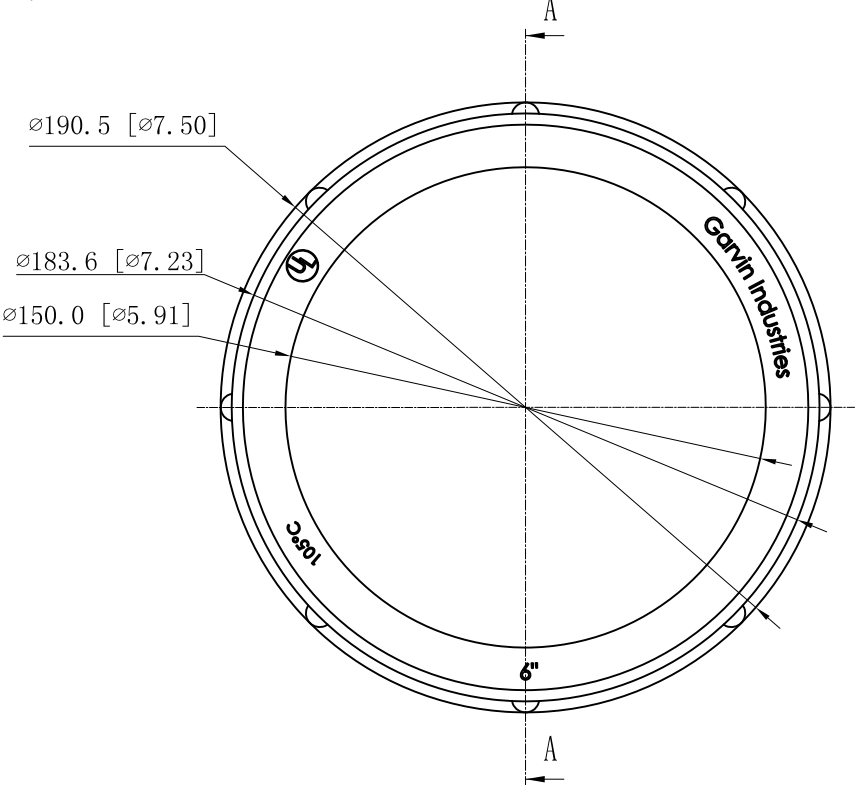
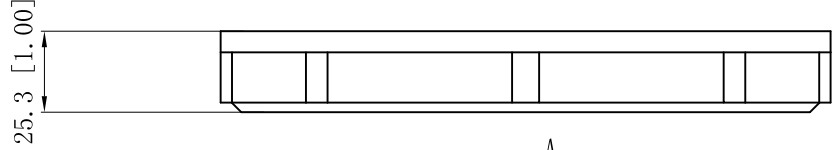


SIDES	BOTTOM
Material:UL94 V-0, PP	



CUTAWAY VIEW A-A



This data sheet is for reference only .GARVIN INDUSTRIES reserves the right to make changes to the design without prior notice.

DESCRIPTION
TRADE REFERENCE TERMS

STANDARD PACKING	<h1 style="text-align: center;">GARVIN INDUSTRIES</h1> <h2 style="text-align: center;">INSULATING BUSHING</h2>		
100 PCS			
	TITLE		
	SIZE	DWG NO.	REV
	A4	IBT-600	A
	DATA SHEET		
	www.garvinindustries.com		