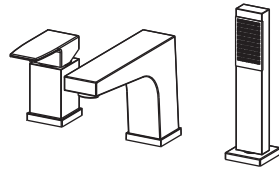


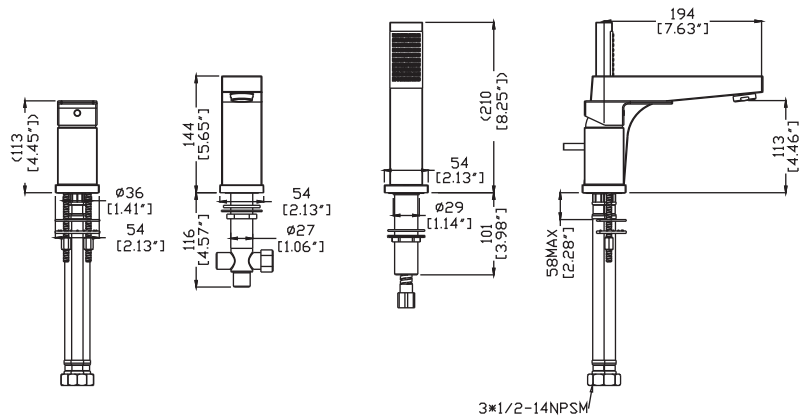


FR-AZ573 Installation Guide

For more information visit
www.ANZZI.com or call
1-844-44-ANZZI



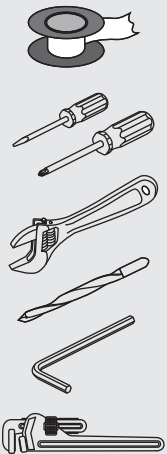
DIMENSIONS



■ For Reference only (unit = mm[inch])

FAUCET MAINTENANCE

RECOMMENDED TOOLS



CARE INSTRUCTIONS

To keep your faucet looking its best, please follow these simple care instructions:

DO:

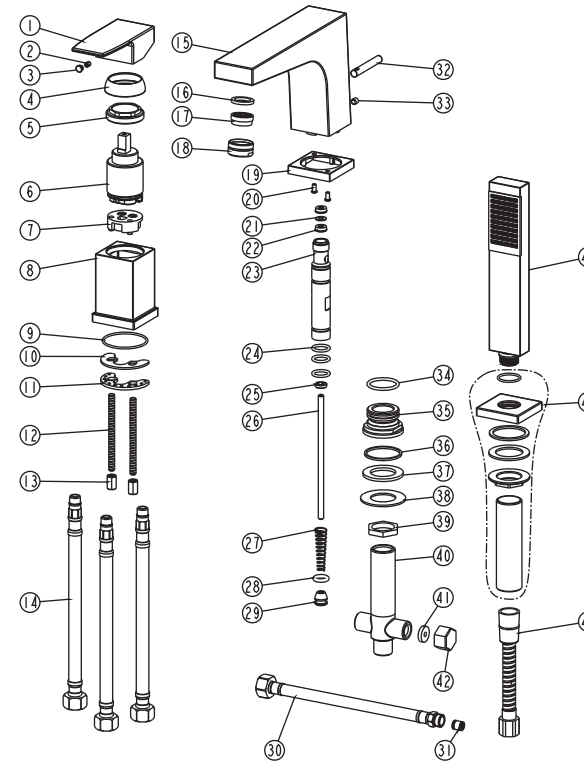
1. Remove as much surface dirt and film using clear water and a soft cotton cloth.
2. Use any of the following to remove tough surface film and build-up:
 - Mild liquid detergent
 - Non-acidic, non-abrasive gentle liquid cleanser
 - Non-abrasive liquid polisher.
3. Once clean, rinse faucet with clear water to thoroughly remove cleaner or polish and blot dry with soft cotton cloth.

DO NOT:

1. Use abrasive cleansers, cloths, or paper towels.
2. Use any cleaning agents containing acids, polish, waxes, alcohol, ammonia, bleach, solvents or any other corrosive or harsh chemical cleansers.

EXPLODED DRAWING

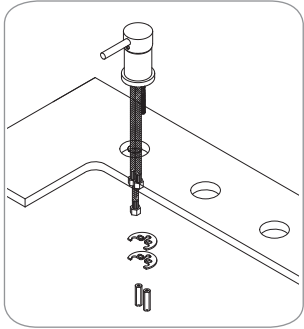
Please read the followings before installing and usage.



NO.	Part No	Part Desc	Qty
01	CTHZ0340	HANDLE	1
02	CTST0117	SCREW	1
03	CTCP0072	CAP	1
04	CTCB0718	COVER	1
05	CTKB0065	RETAINER	1
06	ATBA0138	CARTRIDGE	1
07	ATBA0169	CHECK VALVE	1
08	CTYB0616	BODY	1
09	CTRR0085	O-RING	1
10	CTWR0282	GASKET	1
11	CTWT0071	GASKET	1
12	CTST0013	SCREW	2
13	CTNB0321	NUT	2
14	ATBP0312	HOSE	3
15	CTFB0243	SPOUT	1
16	CTWR0036	WASHER	1
17	CTQP0030	FLOW REGULATOR	1
18	CTCB0173	HOUSING	1
19	CTDZ0094	FLANGE	1
20	CTST1003	SCREW	2
21	CTWB0048	WASHER	1
22	CTRR0138	WASHER	2
23	CTPB0468	SHANK	1
24	CTRR0082	O-RING	3
25	CTRP0067	CLIP	1
26	CTMB0593	LIFT ROD	1
27	CTBT0077	SPRING	1
28	CTRR0139	O-RING	1
29	CTDB0133	STOP	1
30	ATBP0311	HOSE	1
31	ATBA0100	CHECK VALVE	1
32	CTMB0588	TIP	1
33	CTST0153	SCREW	1
34	CTRR0137	O-RING	1
35	CTDB0131	BASE SEAT	1
36	CTWR0060	WASHER	1
37	CTWR0217	WASHER	1
38	CTWT0038	WASHER	1
39	CTNB0156	NUT	1
40	CTPB0188	SHANK	1
41	CTWR0088	WASHER	1
42	CTTB0014	BLOCK	1
43	ATBE0210	SHOWER	1
44	ATBD0080	HOLDER	1
45	ATBP0070	HOSE	1

■ Notes: For reference only. We reserve the right to make changes without any notice.

Step 1

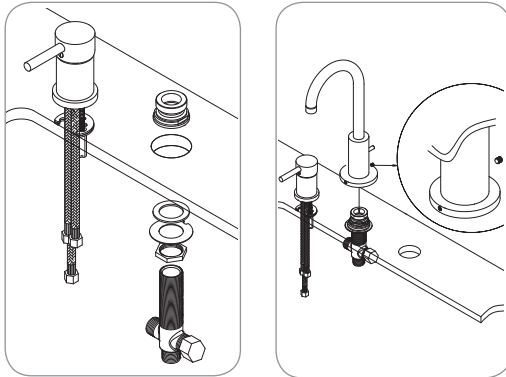


Handle installation

- ① Place the base of the handle flange kit on the left hole. Insert the braided flex connectors through the hole.
- ② From underneath, place metal washer and locknut on each threaded stud and tighten gently by hand.
- ③ Now, position and properly align the handle on top. Tighten the locknuts with a flat head screwdriver or appropriate tool. Do not overtighten.

Step 2

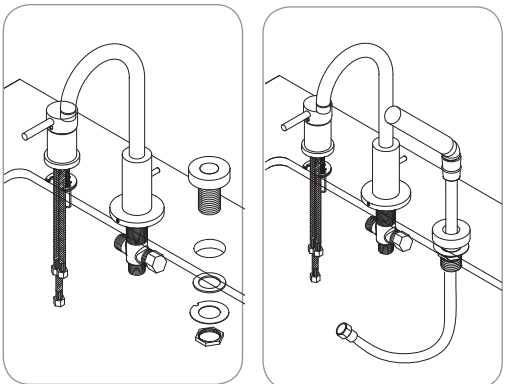
Spout installation



- ① Unscrew the Allen screw in back of the spout. Pull apart the spout from its connector (do not unscrew). Separate the spout flange from the spout. Place o-ring underneath the spout flange and place the flange over the center hole between the handle and hand shower.
- ② Unscrew the superior spout locknut of the spout connector. Make sure that the locknut and the metal and rubber washers are in place on the spout connector. From underneath the bathtub, insert the top of the connector in the hole between the handle and hand shower. From over the bathtub, screw the superior spout locknut to secure the connector and the flange in place.
- ③ Install the spout on the connector and align the spout with the flange, making sure to insert the anti-rotation pin in the stop hole. Tighten spout in place by screwing the Allen screw in front of the spout.

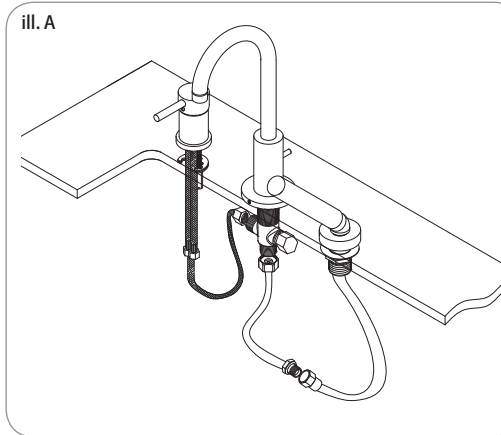
Step 3

Hand shower holder installation



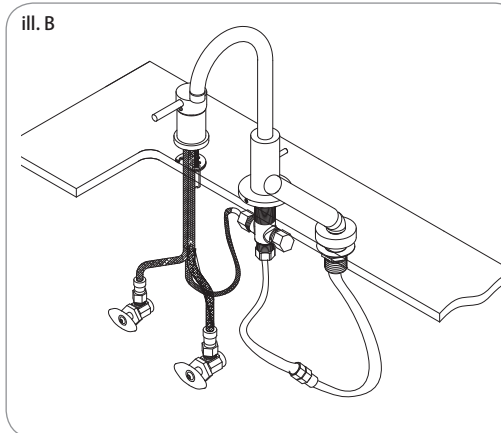
- ① Unscrew the locknut and take off metal and rubber washers.
- ② Insert the hand shower holder in the hole making sure to place the o-ring underneath the fix holder. From under, screw the rubber and metal washers, as well as the retainer ring to the holder in place.
- ③ Connect the hose to the hand shower hole, making sure that the rubber washer is in place. From above, slide the hose through the holder to sit the hand shower on its base.

Step 4



Valve and water supply connection

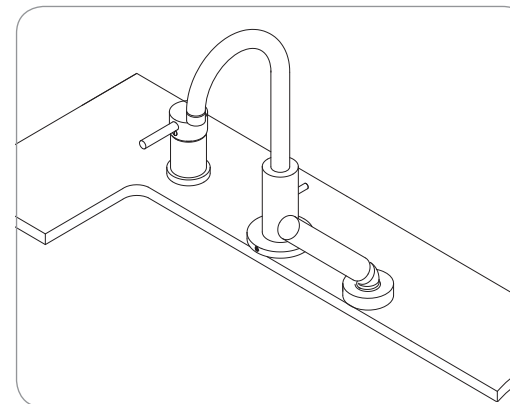
- ① Using the flexible connectors included (5), connect the valve to the spout connector. Use the extra flexible connector (14) to join the spout to the hand shower hose. Tighten using appropriate tool. (ill. A)
- ② Connect hot and cold valves to the corresponding water supply lines using flexible connectors and tighten. (ill. B)



Step 5

Testing connections

WARNING: Remove aerator before testing connections. Place the appropriate wrench on the flat edges and unfasten. Use a cloth to not damage the part. Do not overtighten.



- ① Verify that there are no leaks by slowly opening the hot and cold water. In case of a leak, shut off the water supply and tighten connectors 1/4 turn using the appropriate tool. Repeat if necessary.
- ② Turn on the faucet and leave both hot and cold water running for at least one minute to evacuate the air trapped in the pipes. Turn off water.
- ③ Assemble the aerator as illustrated and insert into the spout, tightening by hand. You can now turn on water supply.