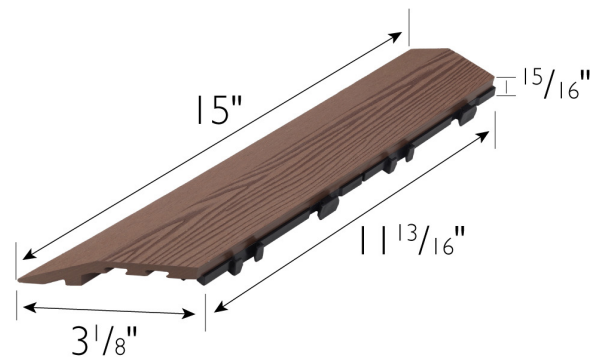


## Outside Corner Trim for Square Outdoor Deck Tiles, 4-Pack Russet Canyon



### SPECIFICATIONS

ASSEMBLED DIMENSIONS:	1 <sup>5</sup> / <sub>16</sub> " H x 15" L x 3 <sup>3</sup> / <sub>16</sub> " W
WEIGHT:	5.07 lbs.
FINISH:	Russet Canyon
INSTALLATION REQUIRED:	Yes
SURFACE MATERIAL:	Wood-Plastic Composite
WOOD SPECIES:	Eucalyptus
BASE MATERIAL:	Polypropylene
TOOLS NEEDED FOR INSTALLATION:	Saw
INSTALLATION TYPE:	Interlocking

WARRANTY:	1-Year limited warranty
ADA COMPLIANT:	No
LEGAL FOR SALE IN CALIFORNIA:	Yes



TYPE:  
JOB:  
ORDER CODE:  
APPROVALS: