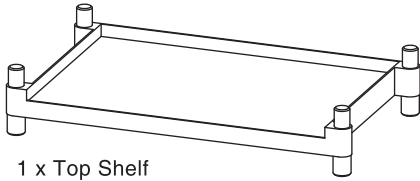
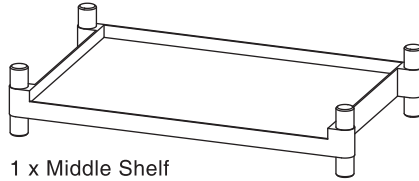


### CONTENTS \*Contents are not to scale to each other



1 x Top Shelf  
(Smaller pegs on top)



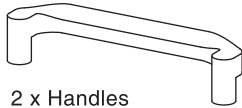
1 x Middle Shelf  
(Pegs on top and bottom)



1 x Bottom Shelf  
(Flat on bottom)



8 x Posts



2 x Handles



1 x Assembly Tool



2 x Casters  
UC-WH



2 x Casters with Brake  
UC-WHB

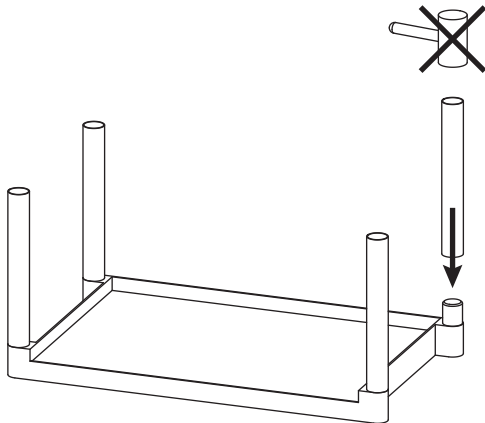
### 1 Attach posts to bottom shelf

Place the bottom shelf flat on a levelled sturdy surface.

**Firmly hand tighten** posts on to each corner.

**Do NOT tap the posts with rubber mallet.**

**Do NOT assemble the caster yet.**



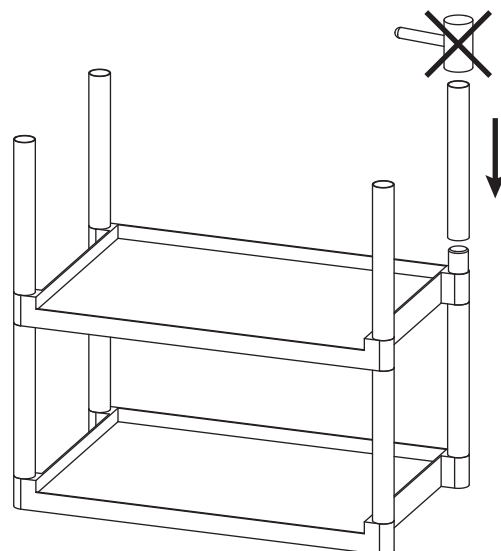
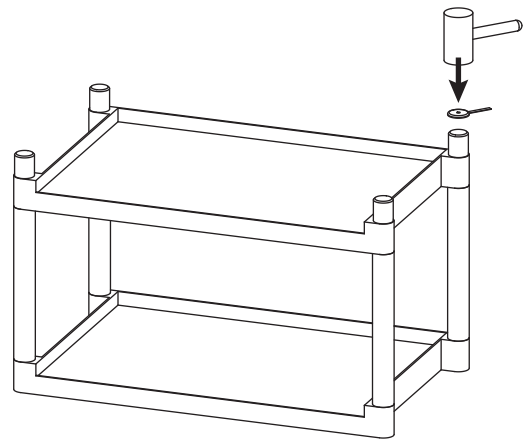
### 2 Attach middle shelf and posts

Place the middle shelf onto the 4 posts.

Make sure the front faces are aligned.  
(Front face has a shorter lip than the back.)

Use rubber mallet with assembly tool and tap corners of the middle shelf down by starting with one corner and working clockwise.

Attach the next set of posts following step 1.



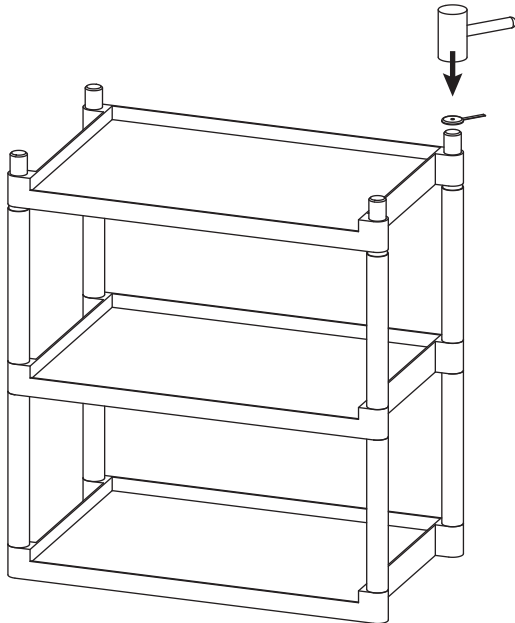
### 3 Attach top shelf

Place the top shelf on the second level of posts.

Make sure the front faces are aligned.  
(Front face has a shorter lip than the back.)

Use rubber mallet with assembly tool and tap corners of the top shelf down by starting off with one corner and working clockwise.

**NOTE:** Do not add the top handles yet.

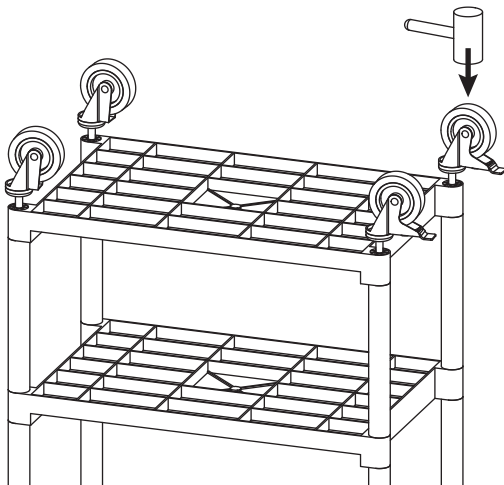
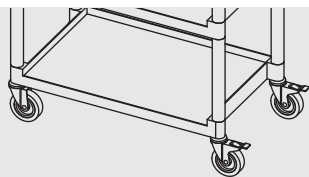


### 4 Attach the casters

Flip the cart upside down and attach the casters into the holes on the bottom shelf.

Tap the casters in with a rubber mallet.

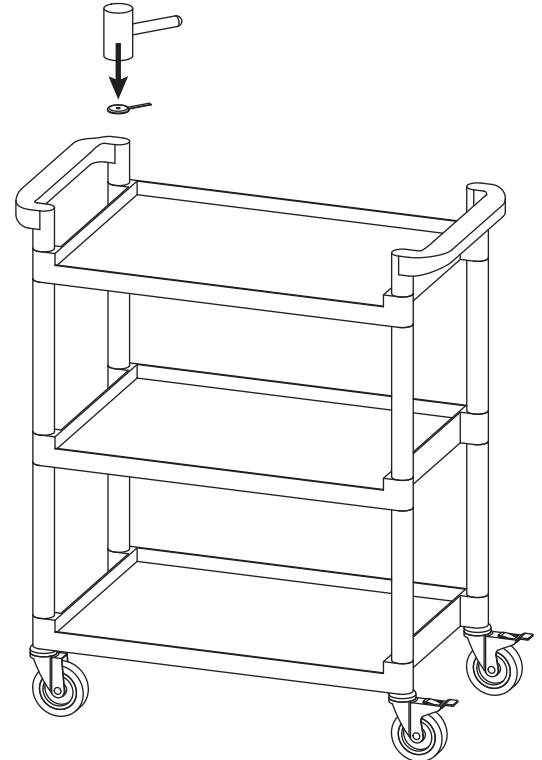
**NOTE:**  
Mount the two casters with brakes together on the same side.



### 5 Attach the handles

Flip the cart to stand right side up on the top of the casters.

Attach handles and tap into place with rubber mallet.



### 6 Complete

