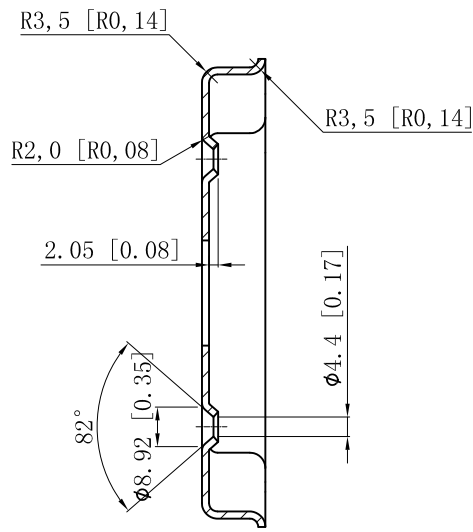
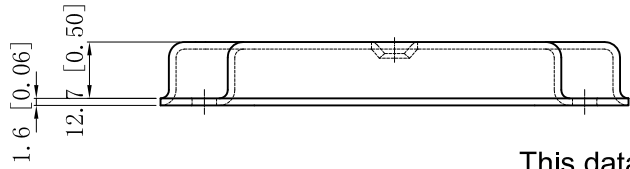
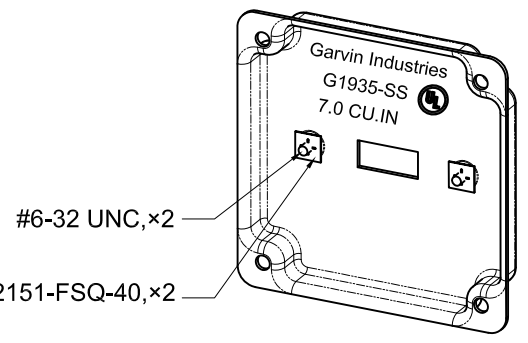
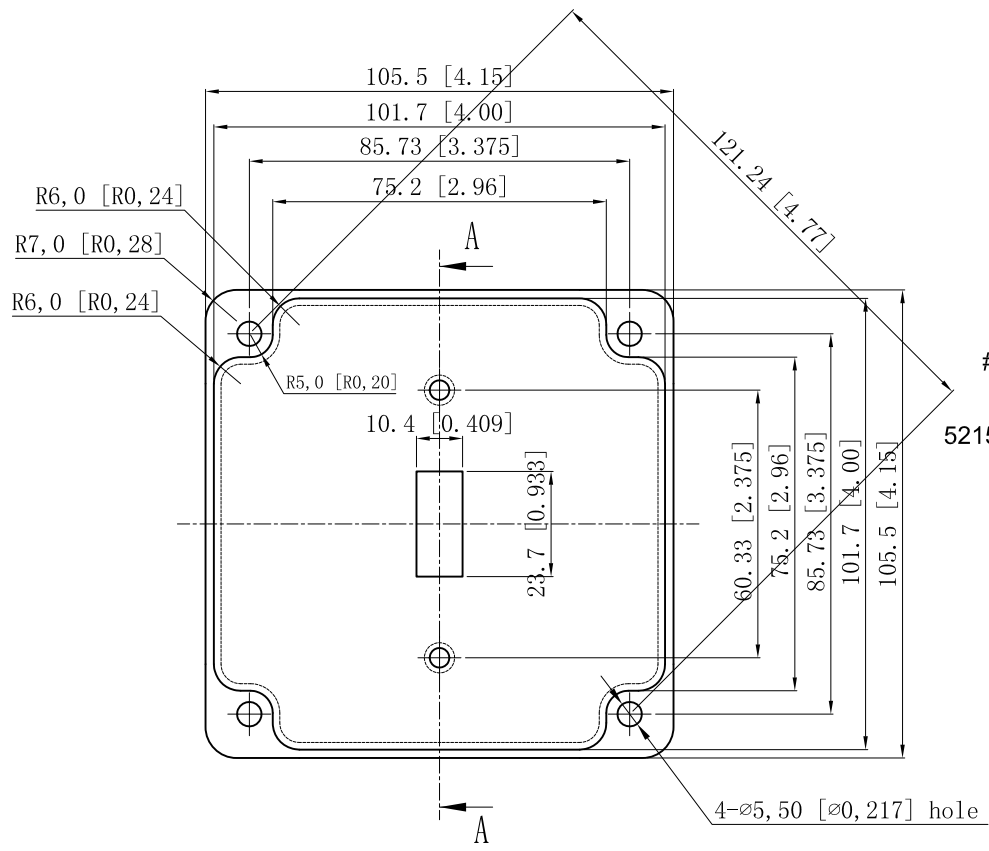


SIDES	BOTTOM
2 PCS 6-32×5/16 Screws Pack In Poly-bag Separately	
Material:0.051~0.059"-316 Stainless Steel	



CUTAWAY VIEW A-A



This data sheet is for reference only .GARVIN INDUSTRIES reserves the right to make changes to the design without prior notice.

DESCRIPTION
TRADE REFERENCE TERMS

STANDARD PACKING	<h1 style="text-align: center;">GARVIN INDUSTRIES</h1>		
50 PCS			
	TITLE	4" SQUARE INDUSTRIAL "GARVIN" COVERS	
	SIZE	DWG NO.	REV
	A4	G1935-SS	A
	DATA SHEET		
	www.garvinindustries.com		