

# ASSEMBLY INSTRUCTION

ITEM: 5750-55489-BLU Salvator Media Console

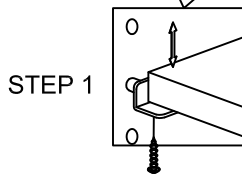
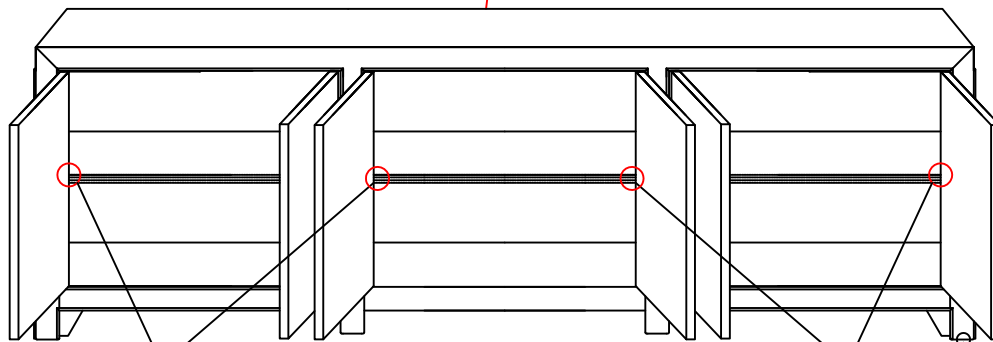
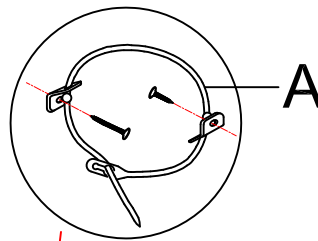
Thank you for purchasing this quality product. Be sure to unpack carefully looking for small parts which may have come loose during shipment.  
Read all instruction and study the drawing carefully before starting the assembly process.

## HARDWARE PACK

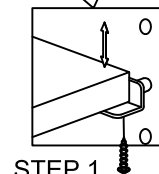
NO.	DRAWING	DESCRIPTION	SIZE	Q'TY
A		Anti-Tip Kit		1PC

### Tipping Restraint

Anti-tip kit is included for use. We recommend installing for safety reason



The adjustable shelves are screwed in place to avoid damage during transit. To adjust the shelf height, remove screws then place shelf pins in the desired level.



Adjust Leveler if needed to level case on uneven floor.