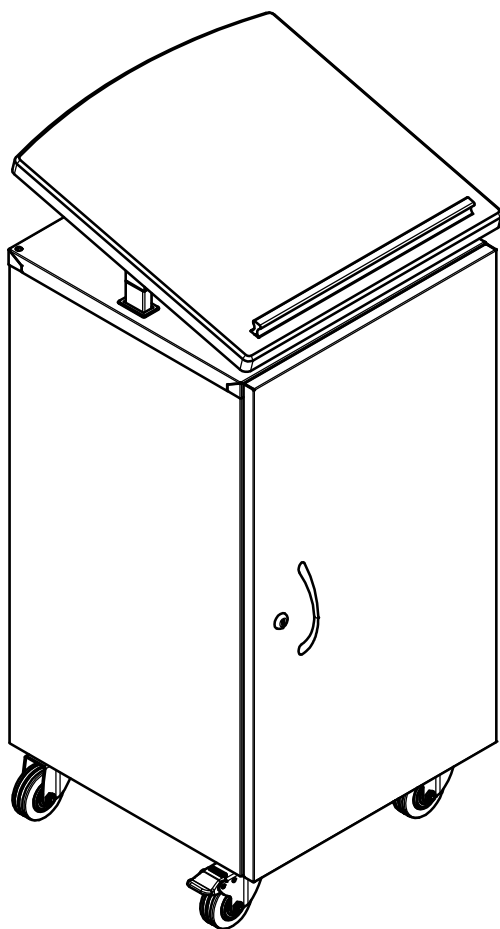




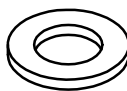
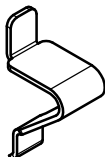
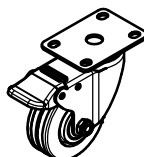
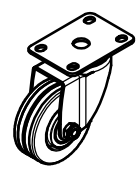


ASSEMBLY INSTRUCTIONS



Parts List

a	Handle x1pc	b	M6X12mm screw x4pcs	c	M8X20mm screw x18pcs	d	M8 spring washer x18pcs
							
e	M8 flat washer x18pcs	f	Shelf bracket x8pcs	g	Wheels x2pcs	h	Wheels x2pcs
							

CAUTION:

Read all instructions and safety tips before using this product.

ASSEMBLY INSTRUCTIONS

