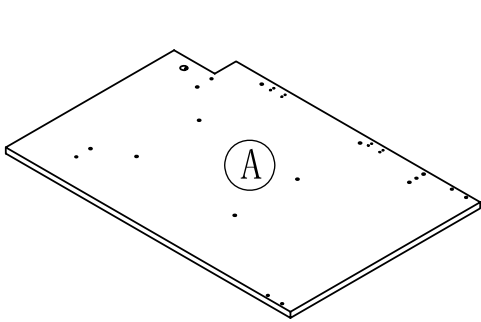


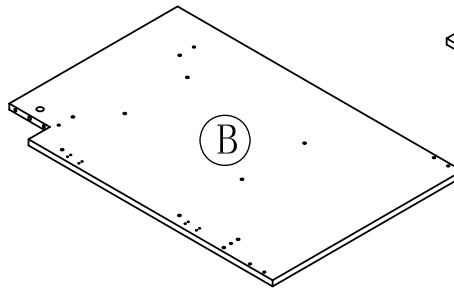
585570

# ASSEMBLY INSTRUCTIONS

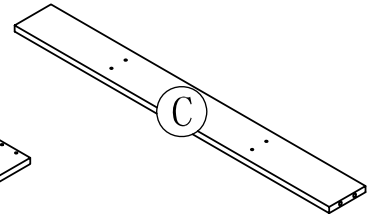
# PARTS LIST:



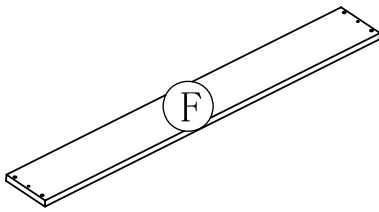
LEFT SIDE PANEL 1PC



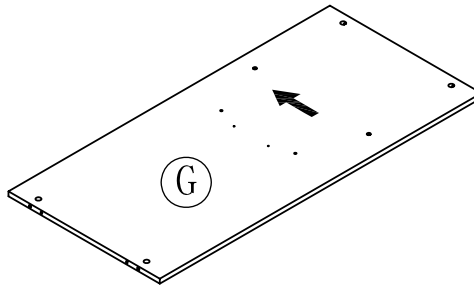
RIGHT SIDE PANEL 1PC



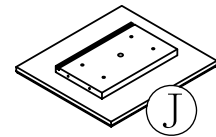
BACK CROSS BRACE 1PC



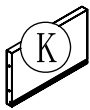
TOE KICK PANEL 1PC



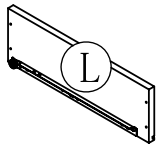
BOTTOM PANEL 1PC



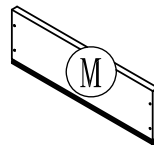
DRAWER FRONT PANEL 2PCS



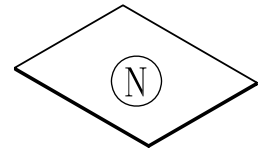
DRAWER BACK PANEL  
2PCS



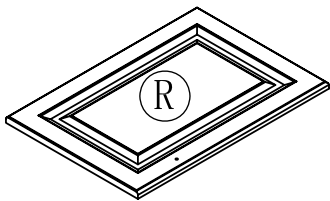
DRAWER LEFT SIDE  
PANEL 2PCS



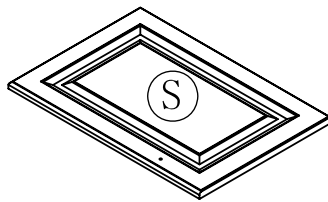
DRAWER RIGHT SIDE  
PANEL 2PCS



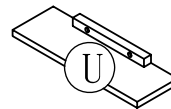
DRAWER BOTTOM  
PANEL 2PCS



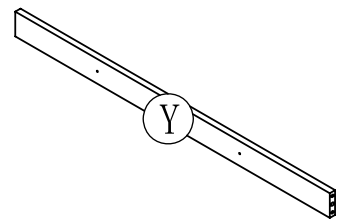
RIGHT SIDE DOOR 1PC



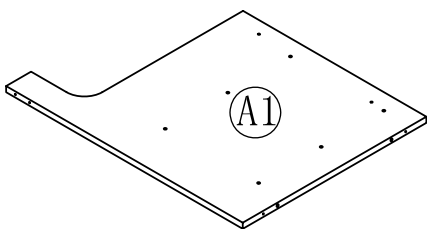
LEFT SIDE DOOR 1PC



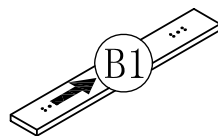
FIXED PANEL 1PC



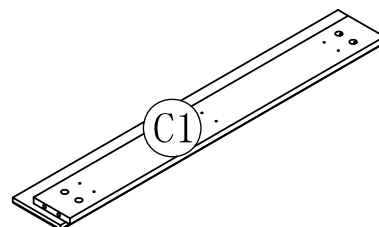
FRONT CROSS BRACE 1PC



BIG PARTITION 1PC



SMALL PARTITION 1PC



FALSE DRAWER FRONT 1PC

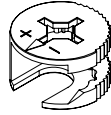
# HARDWARE LIST:



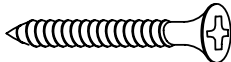
a. WOOD DOWEL 16PCS



b. CAM LOCK SCREW 16PCS



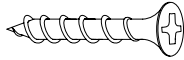
c. CAM LOCK 16PCS



d. 1" L WOOD SCREW 6PCS



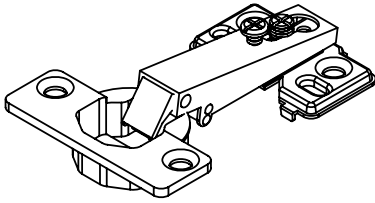
e. 1-1/2" L WOOD SCREW 19PCS



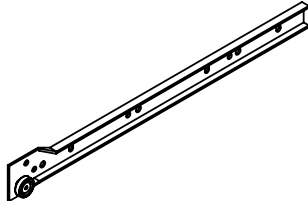
f. 5/8" L FLAT HEAD SCREW 24PCS



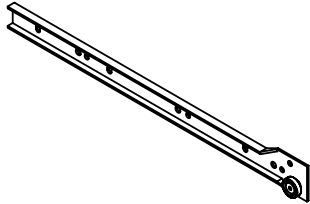
g. 1/2" L WOOD SCREW 12PCS



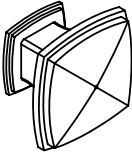
h. HINGE 4PCS



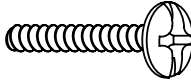
i. LEFT SIDE DRAWER GLIDE 2PCS



j. RIGHT SIDE DRAWER GLIDE 2PCS



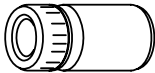
l. KNOB 4PCS



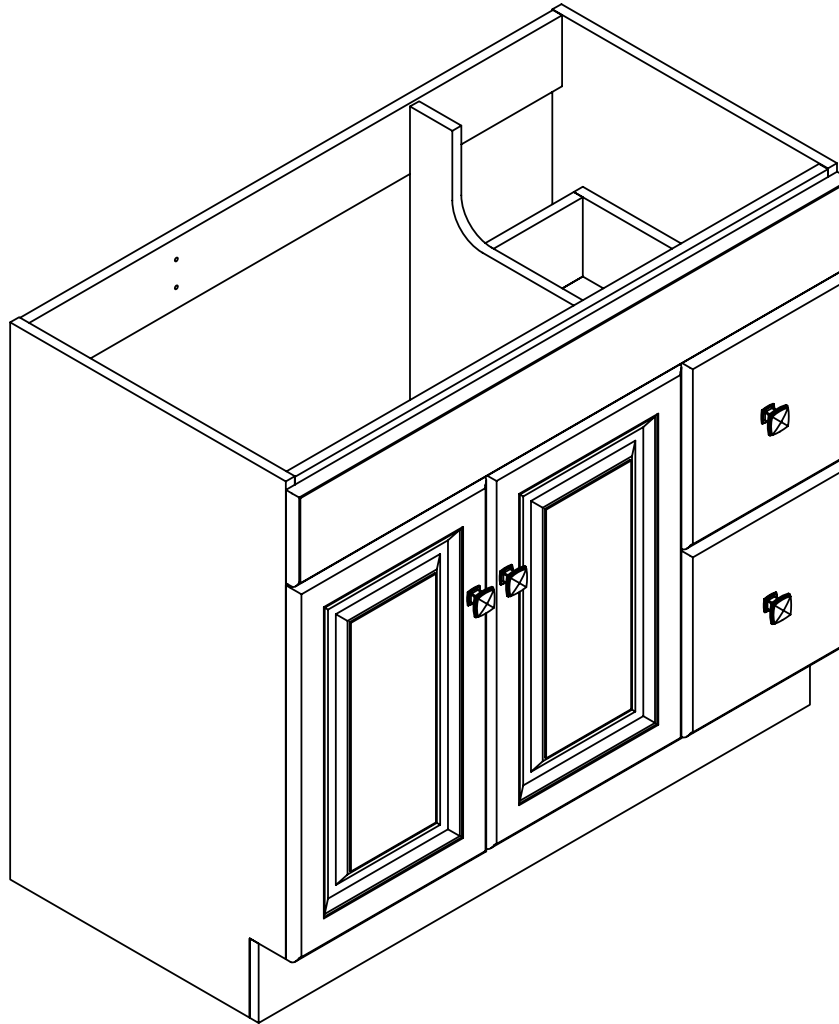
n. KNOB BOLT 4PCS



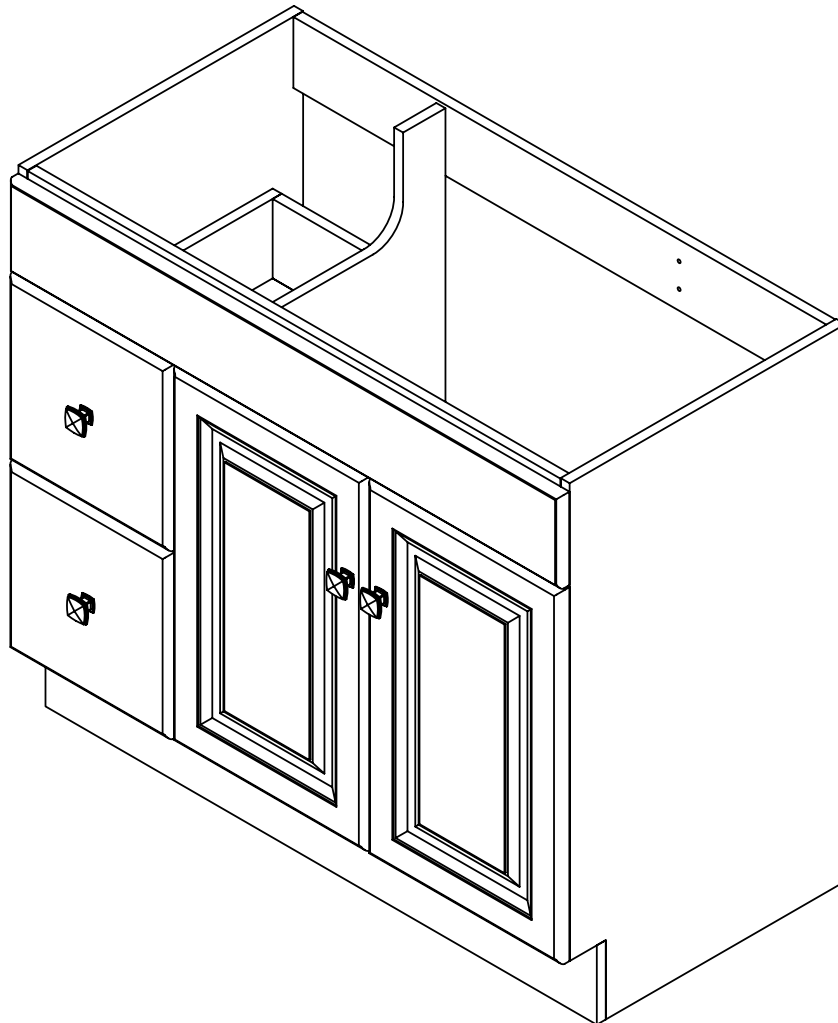
o. WRENCH 1PC



p. GLUE 1PC

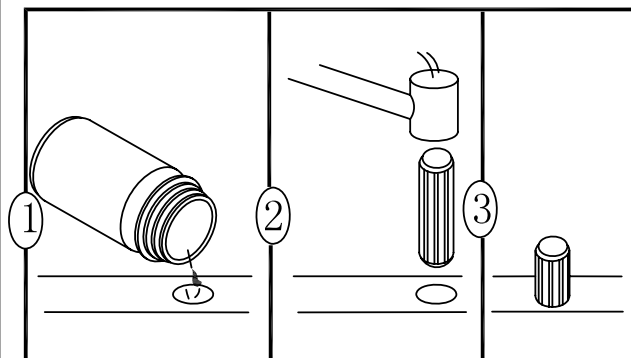
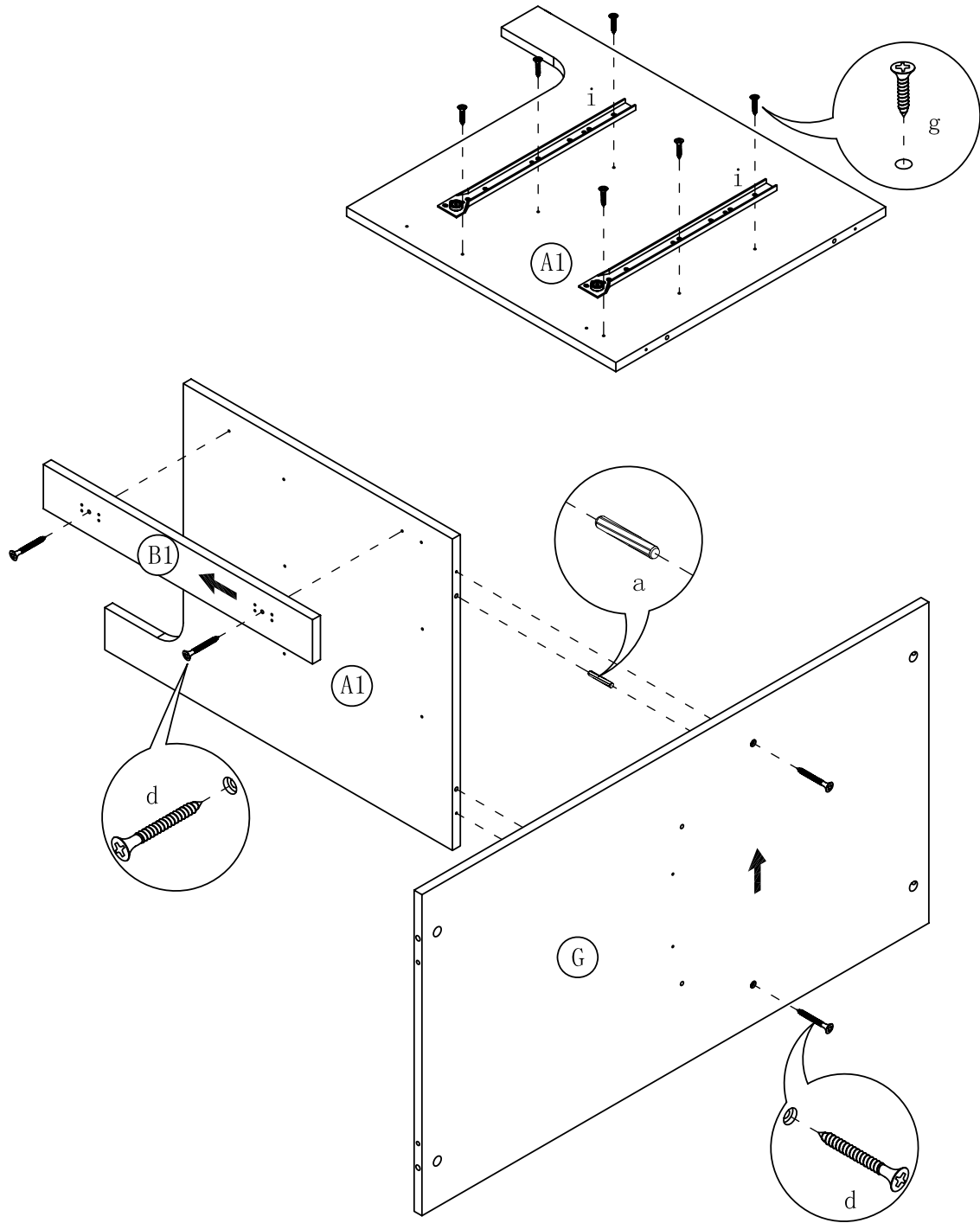


FOLLOW STEPS 1~10 TO INSTALL THE DOORS  
ON THE LEFT SIDE AND THE DRAWERS ON THE  
RIGHT SIDE

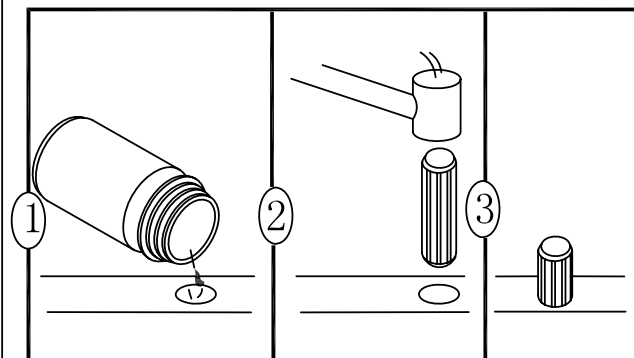
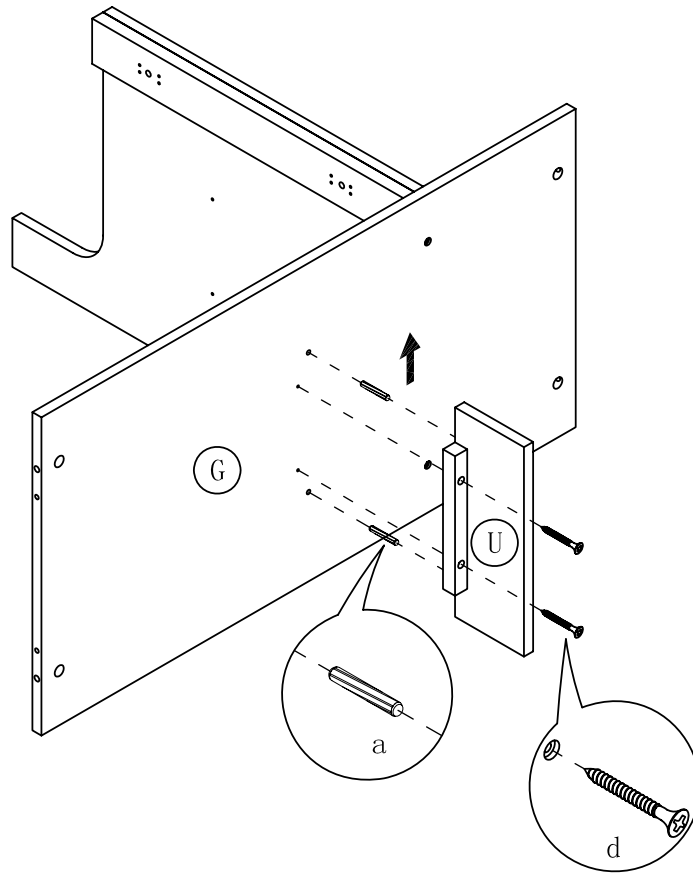


FOLLOW STEPS 11~20 TO INSTALL THE DOORS  
ON THE RIGHT SIDE AND THE DRAWERS ON THE  
LEFT SIDE

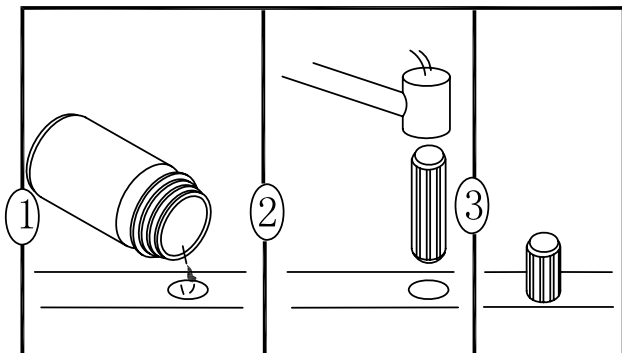
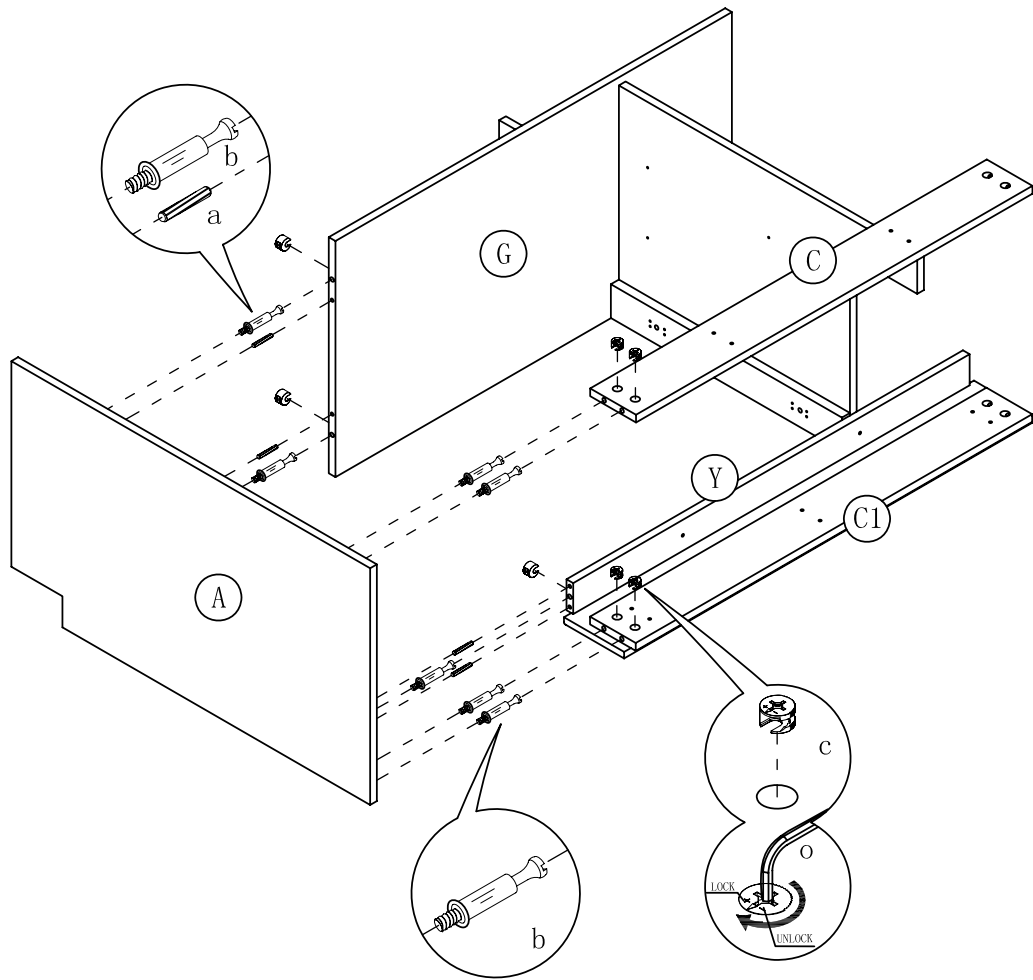
# STEP 1



# STEP 2

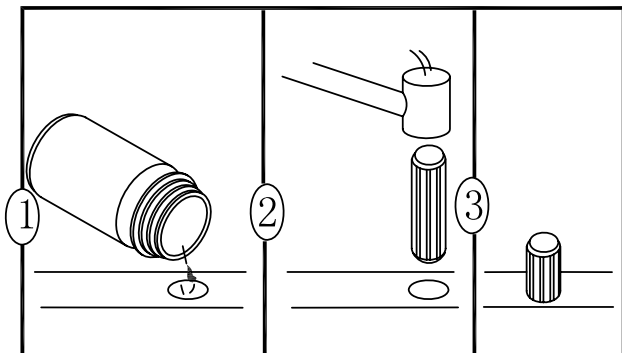
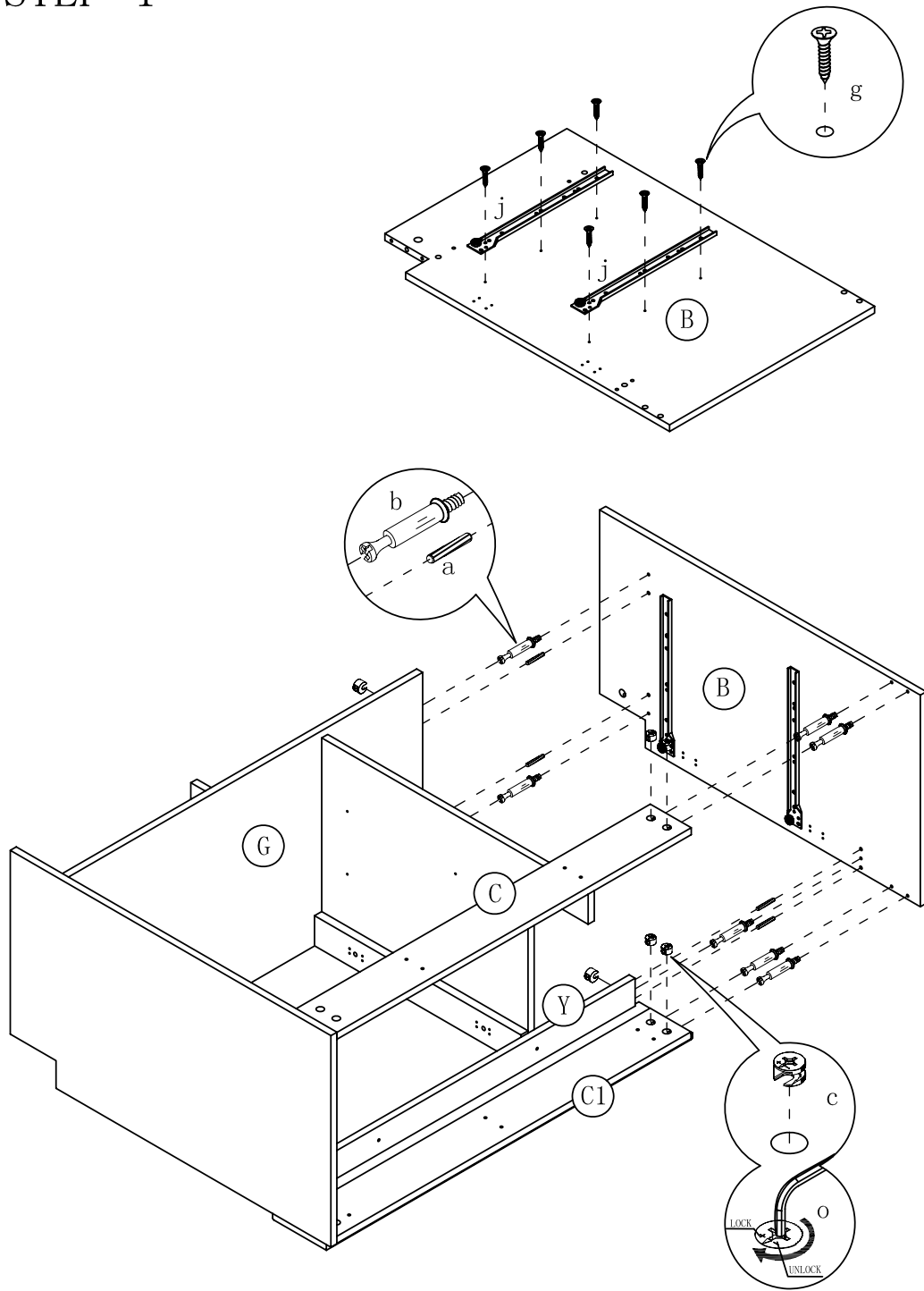


# STEP 3

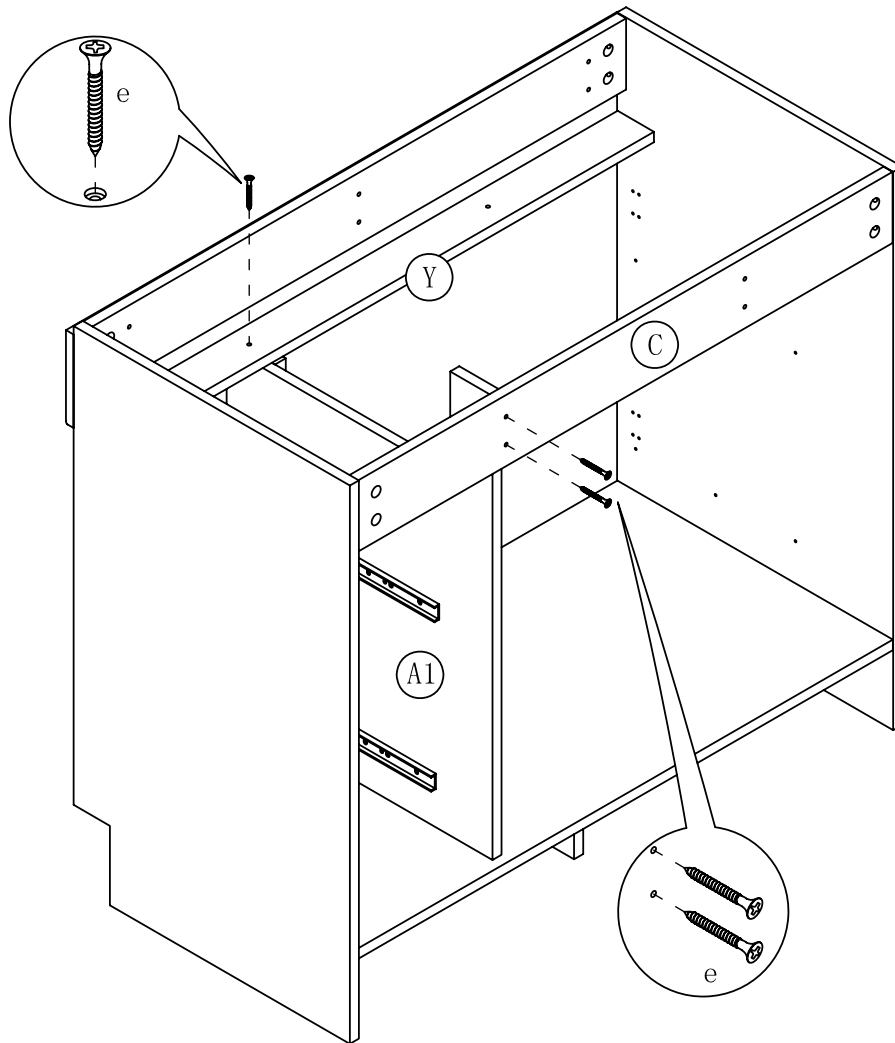




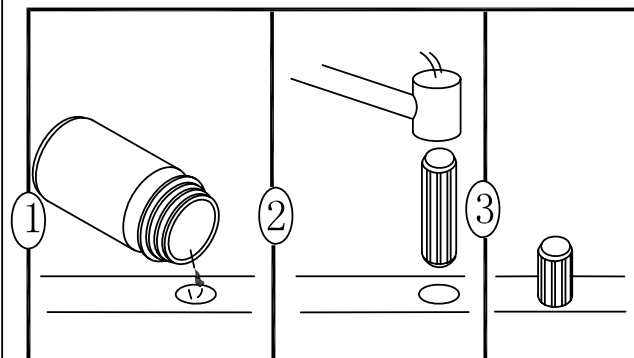
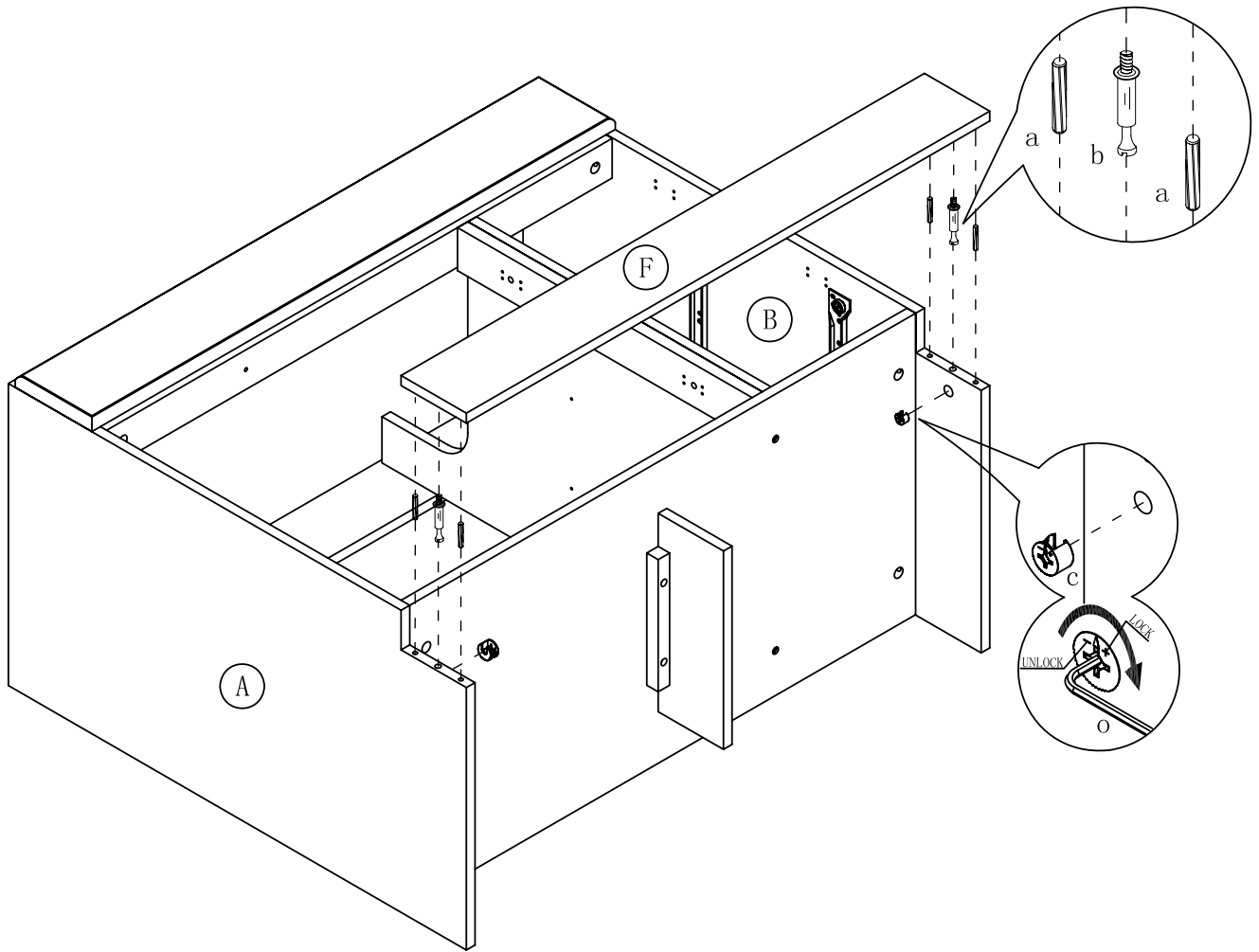
# STEP 4



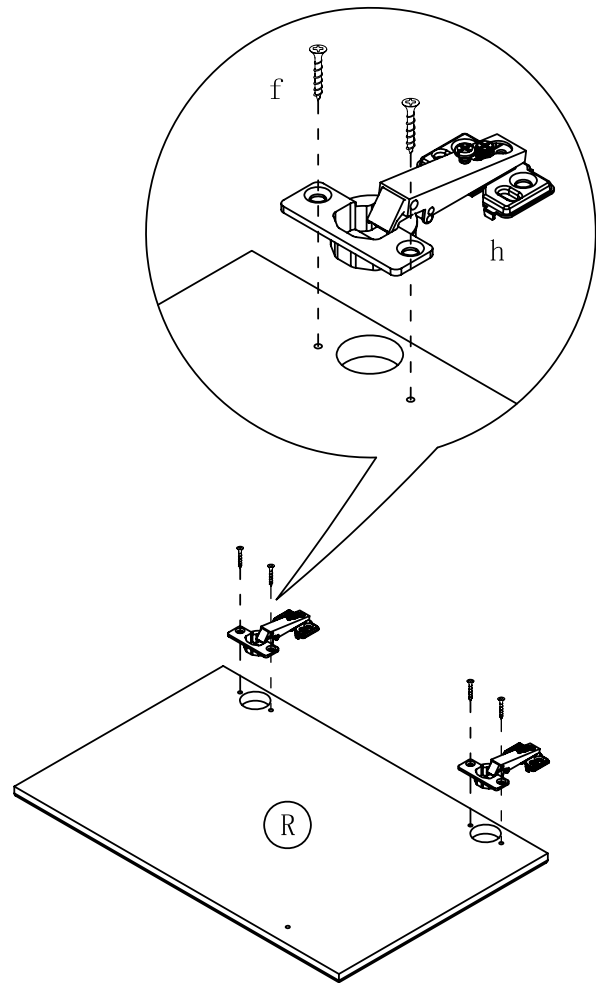
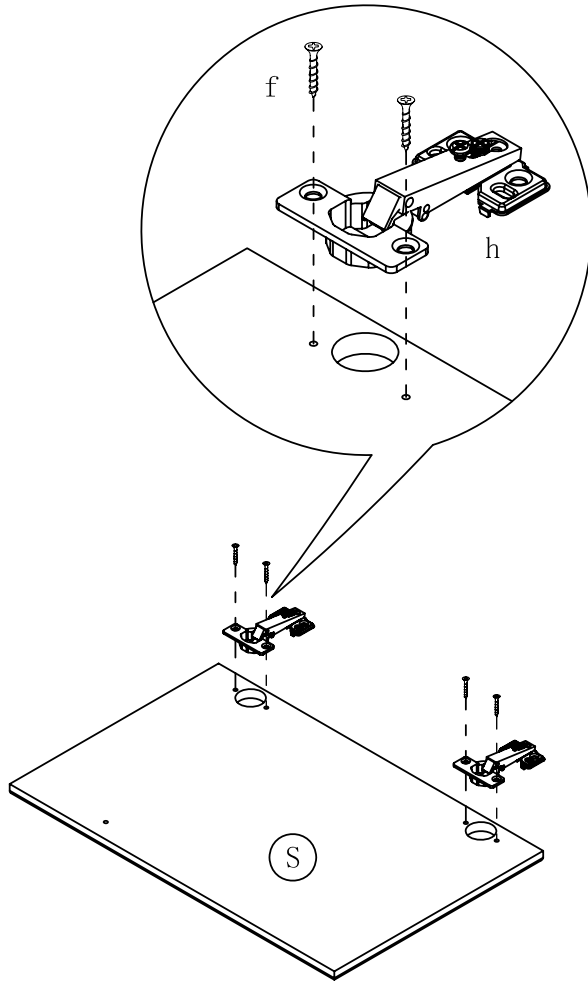
# STEP 5



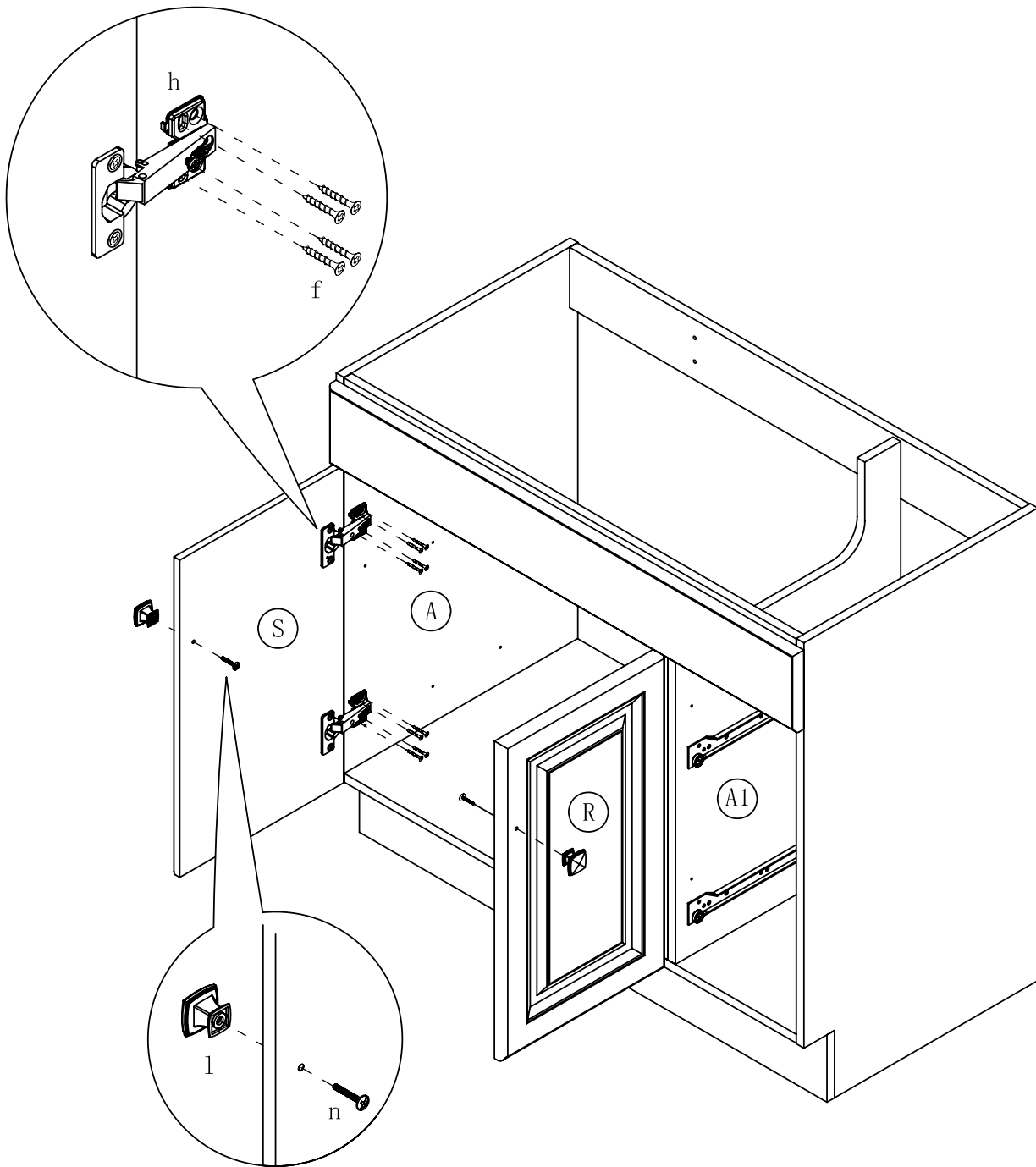
# STEP 6



# STEP 7

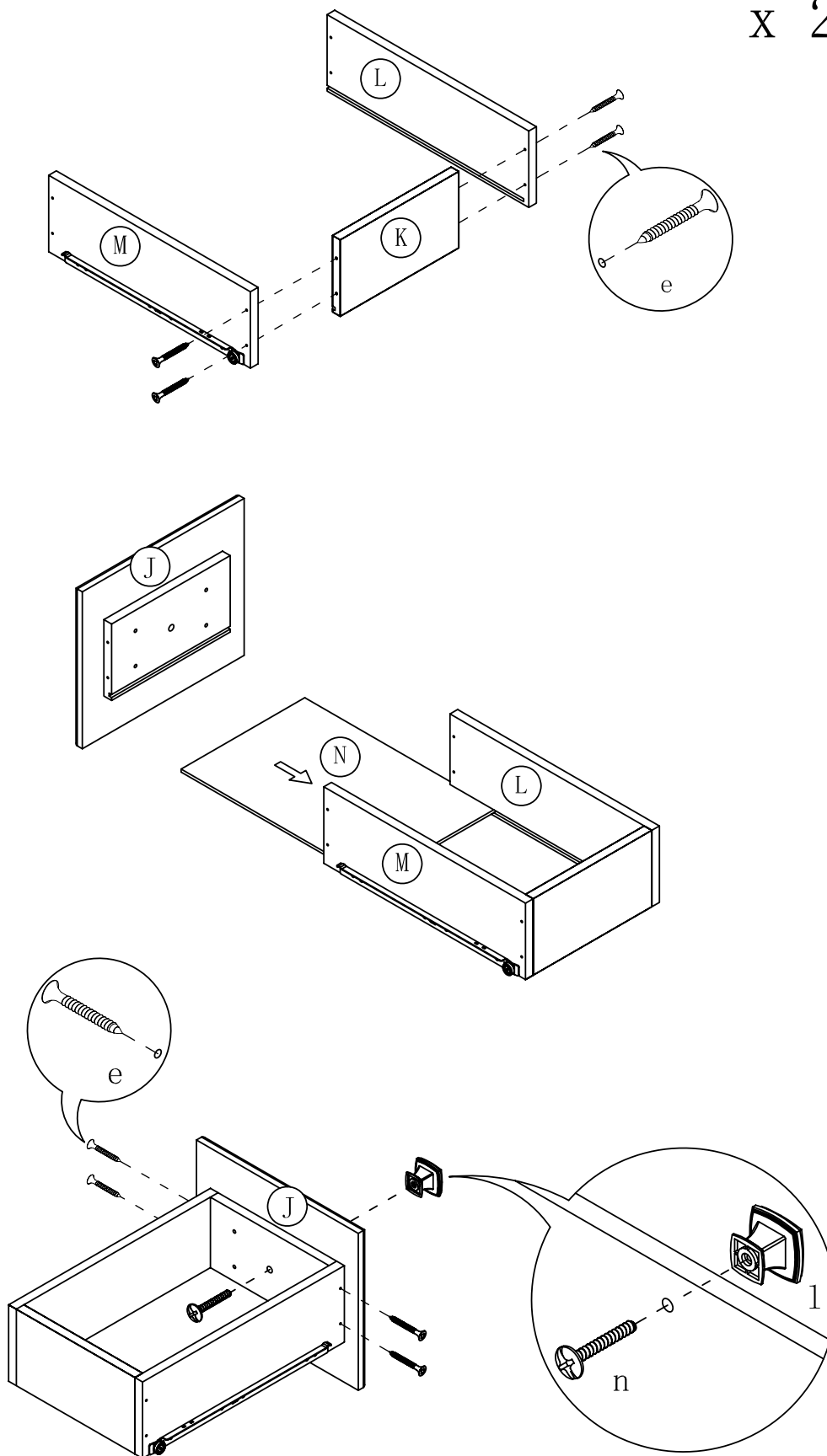


# STEP 8

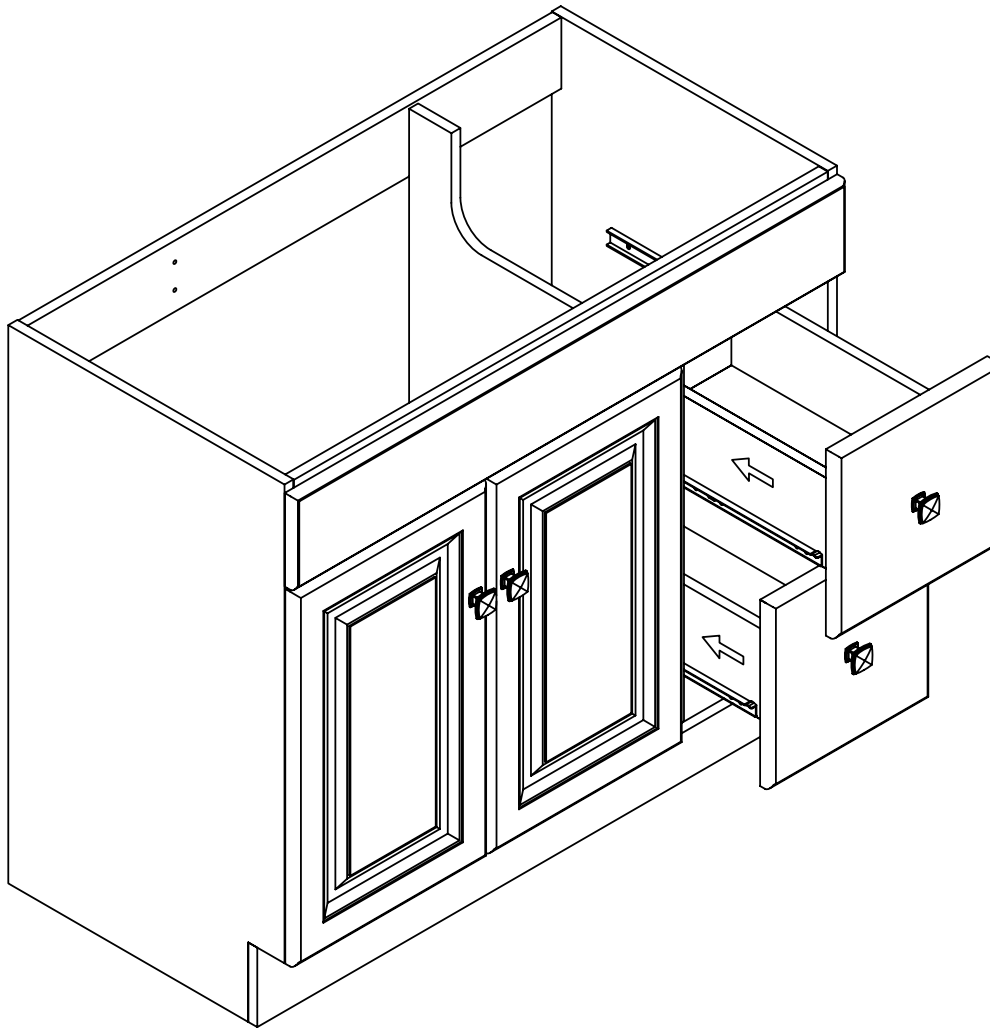


STEP 9

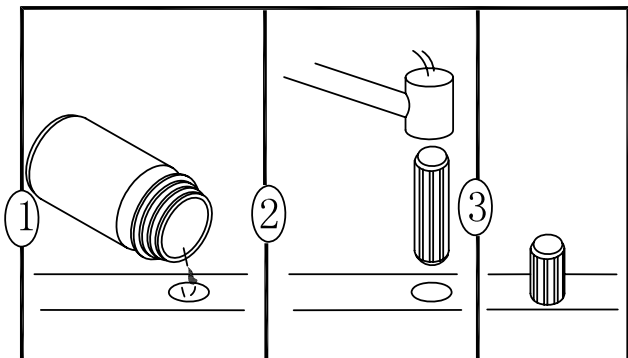
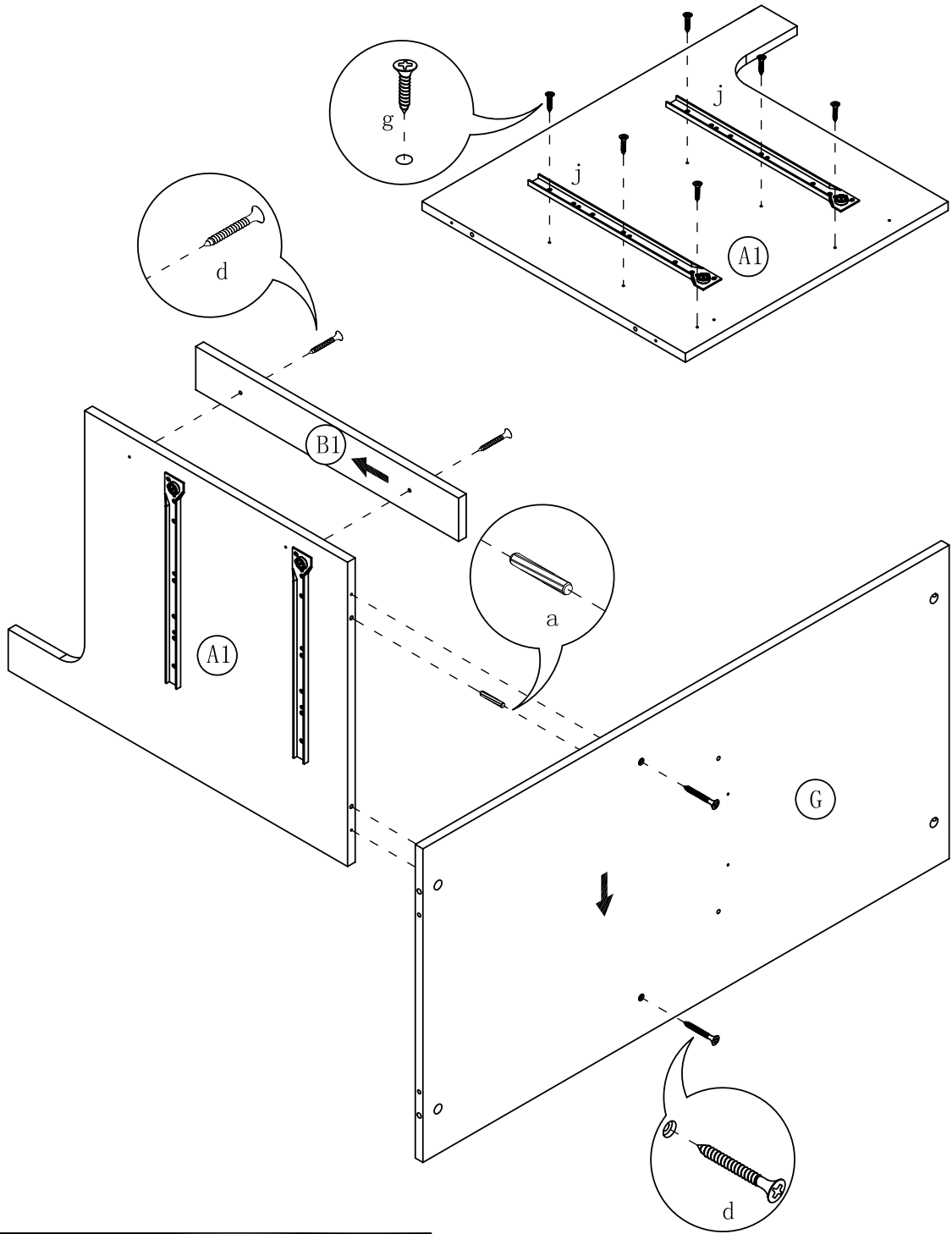
x 2



STEP 10

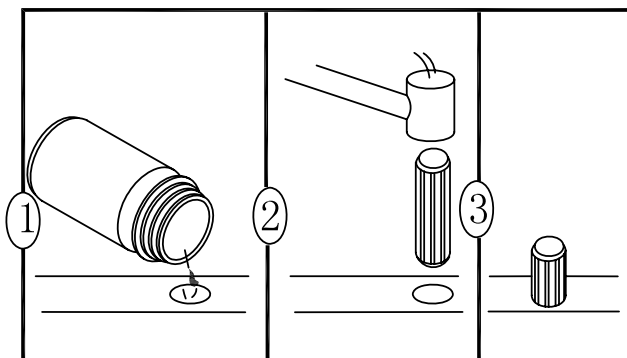
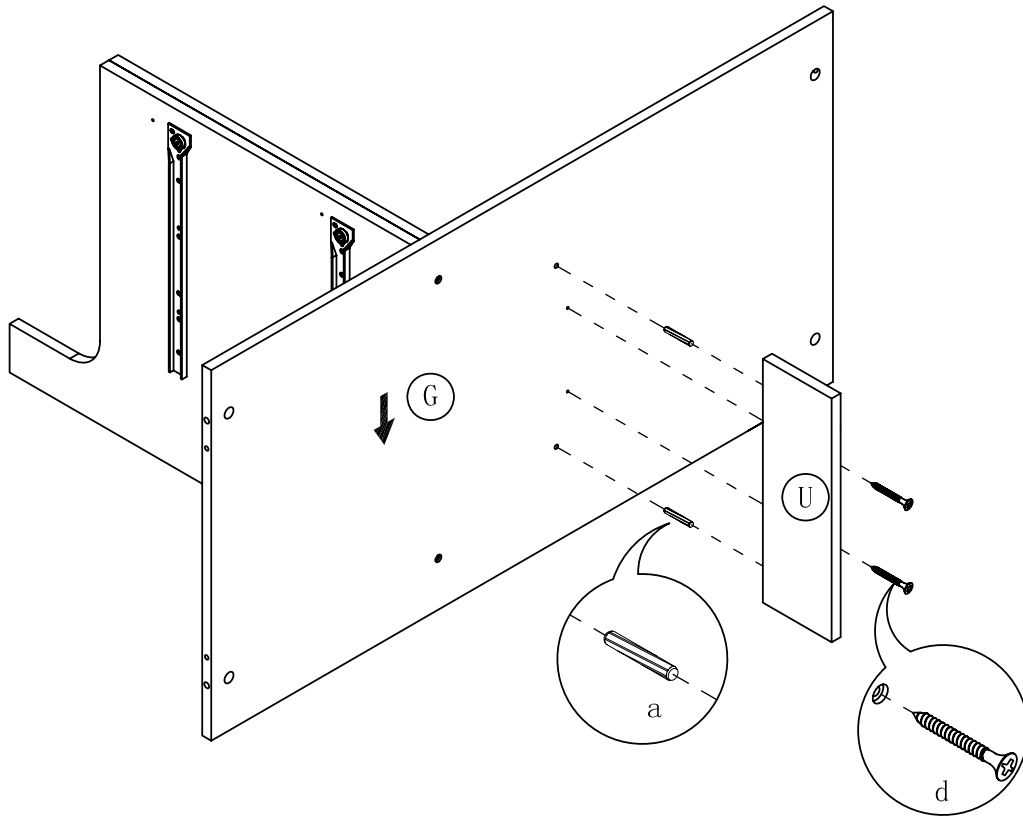


# STEP 11

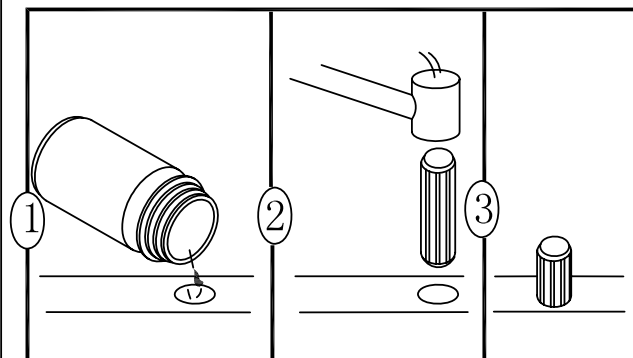
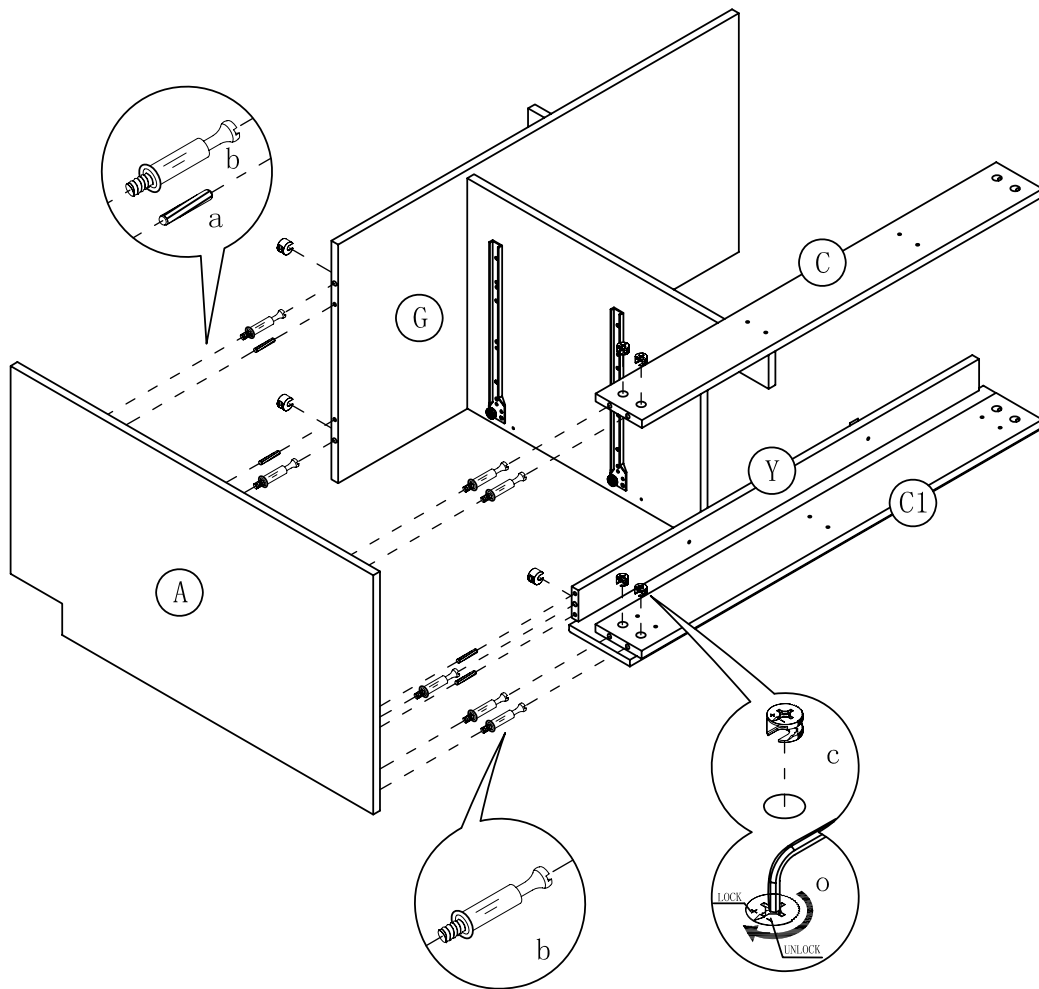
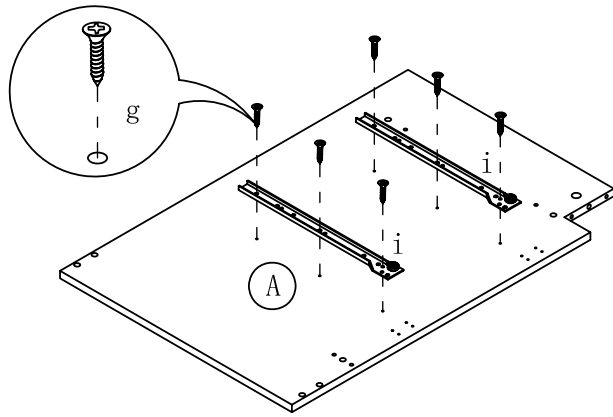




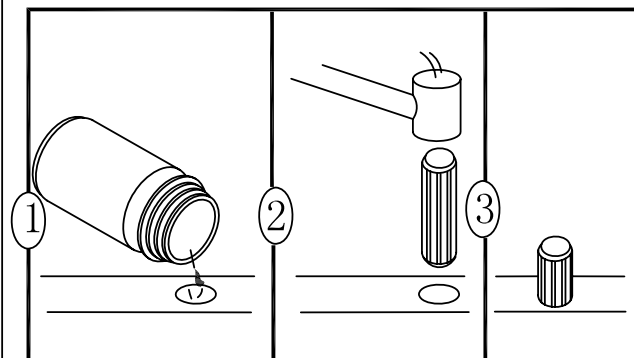
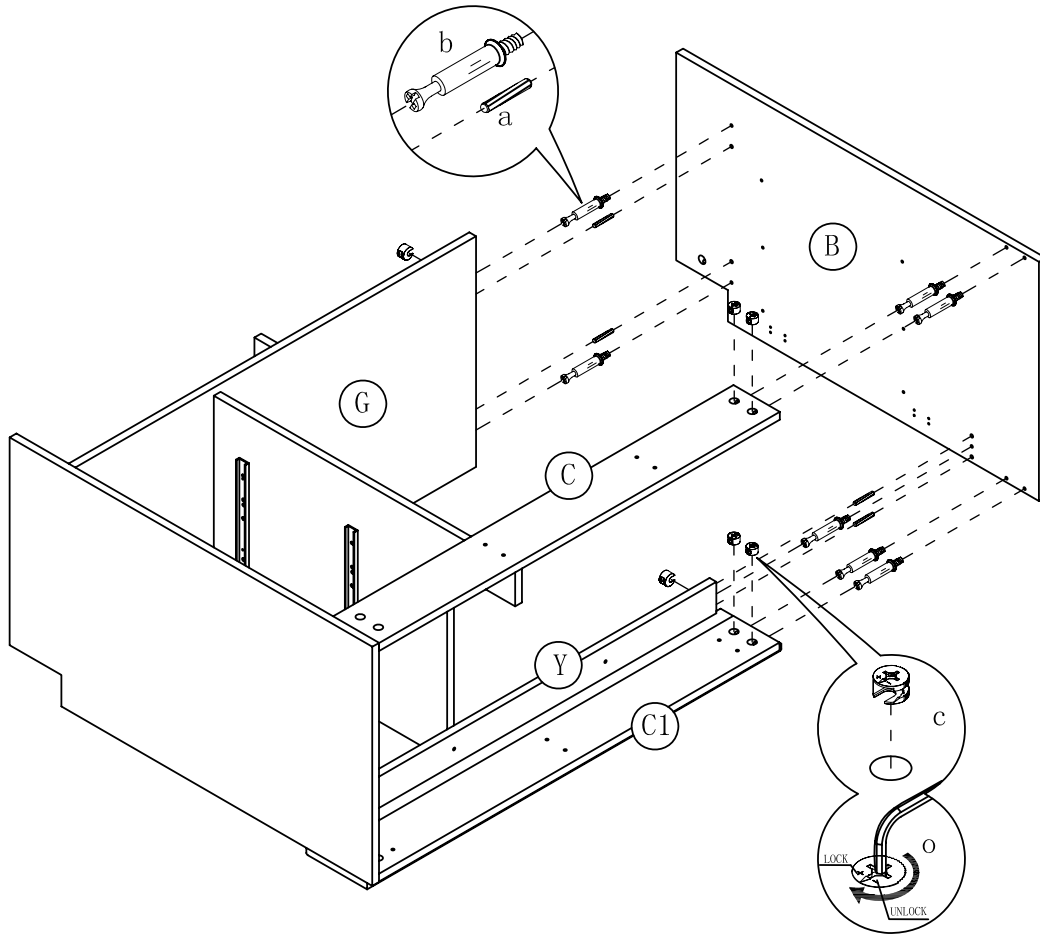
# STEP 12



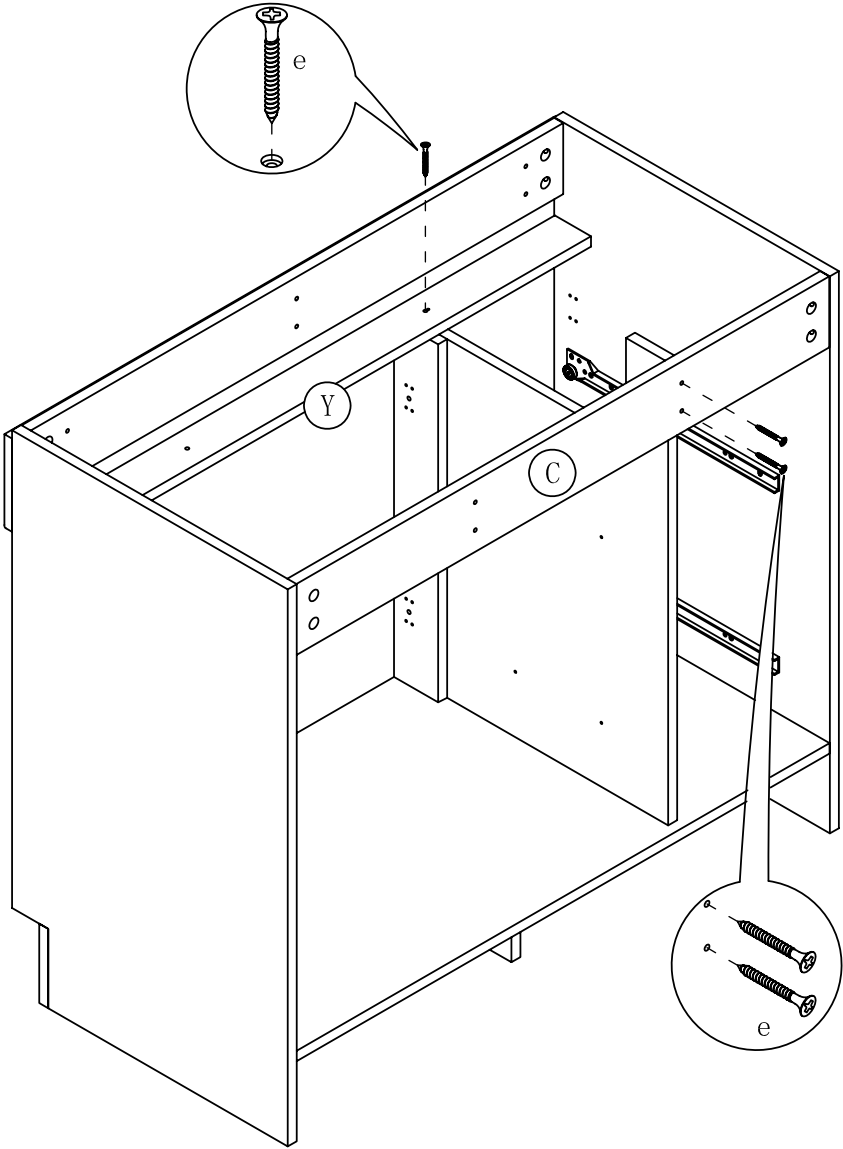
# STEP 13



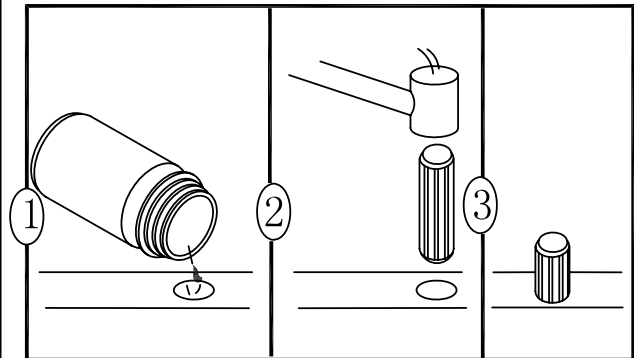
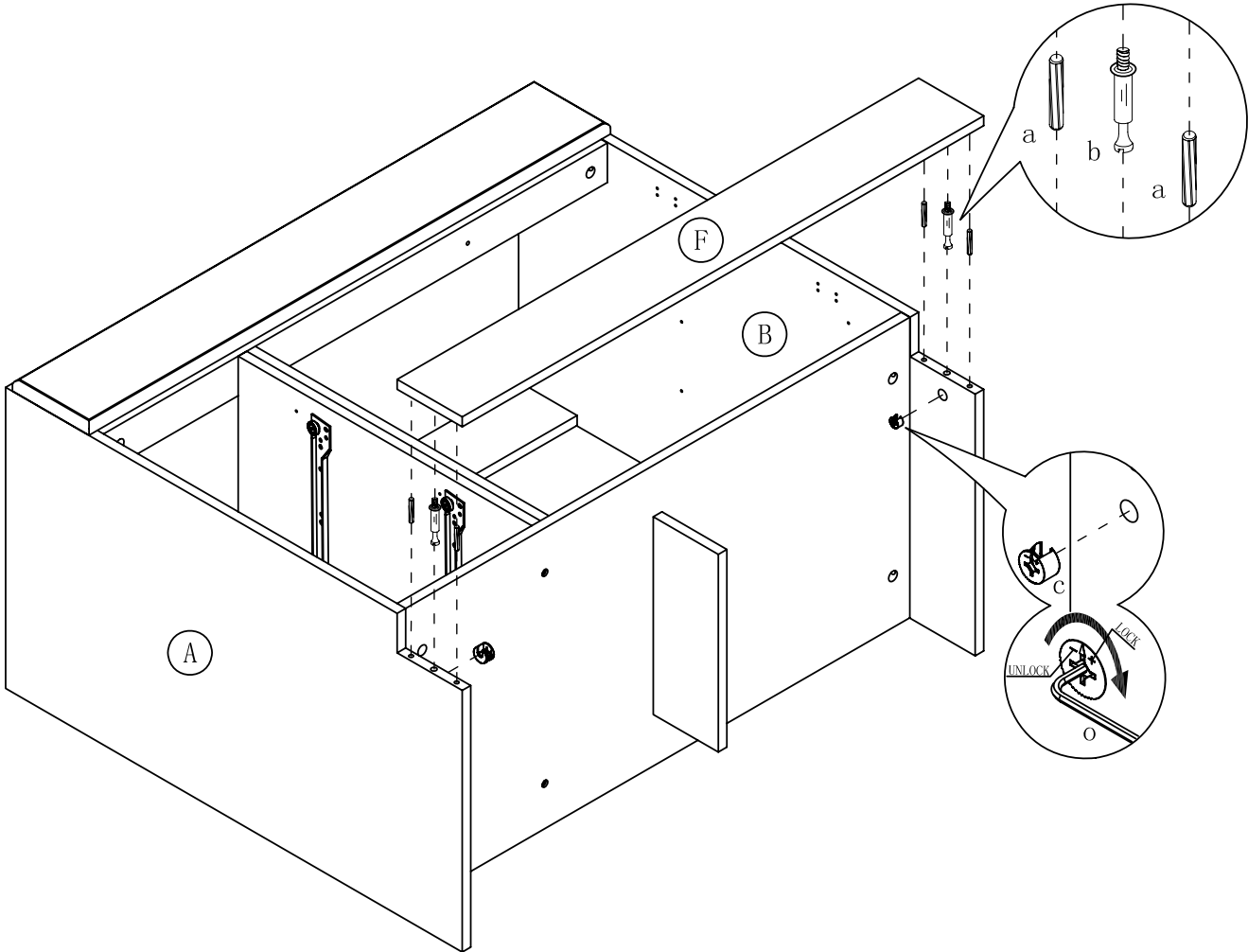
# STEP 14



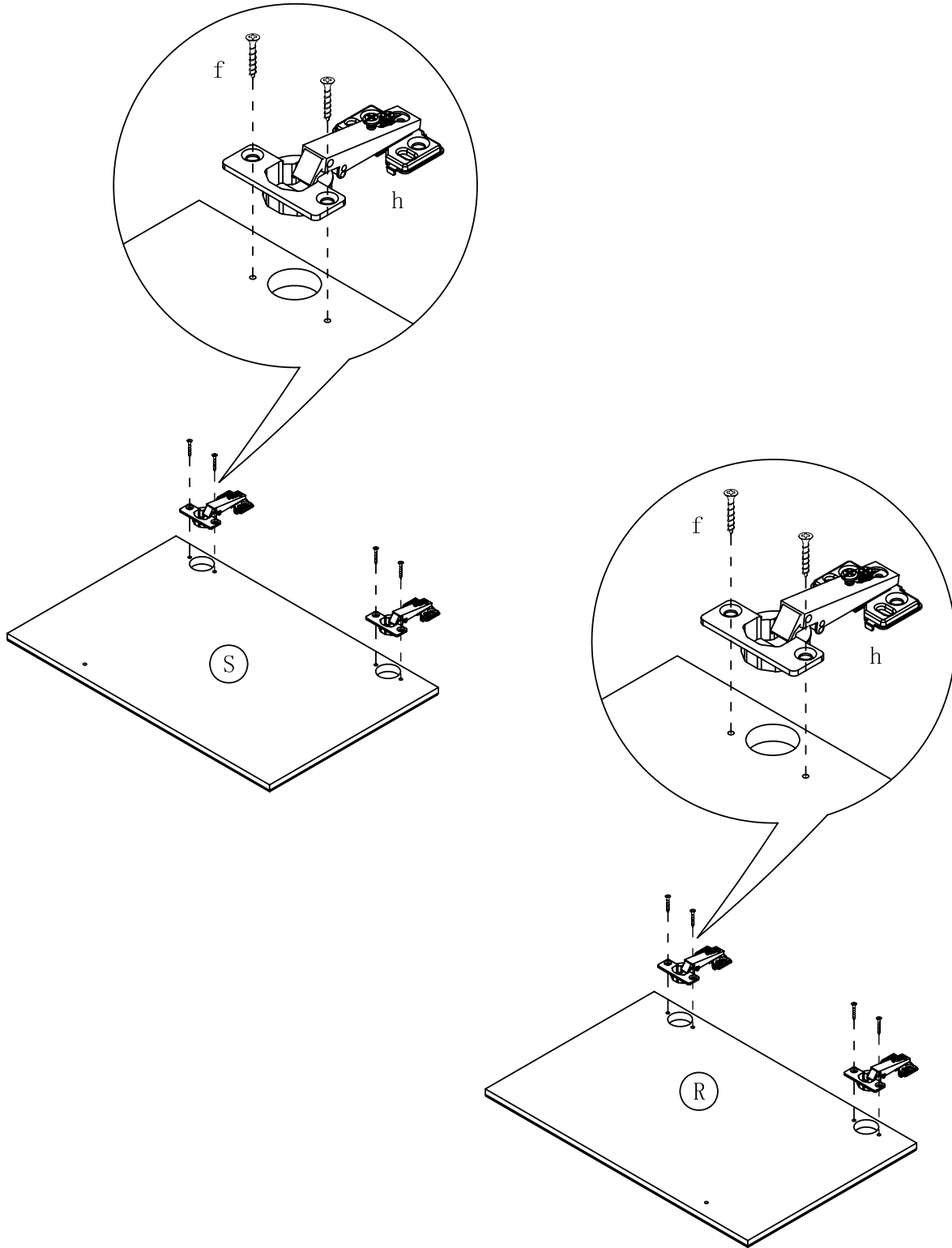
STEP 15



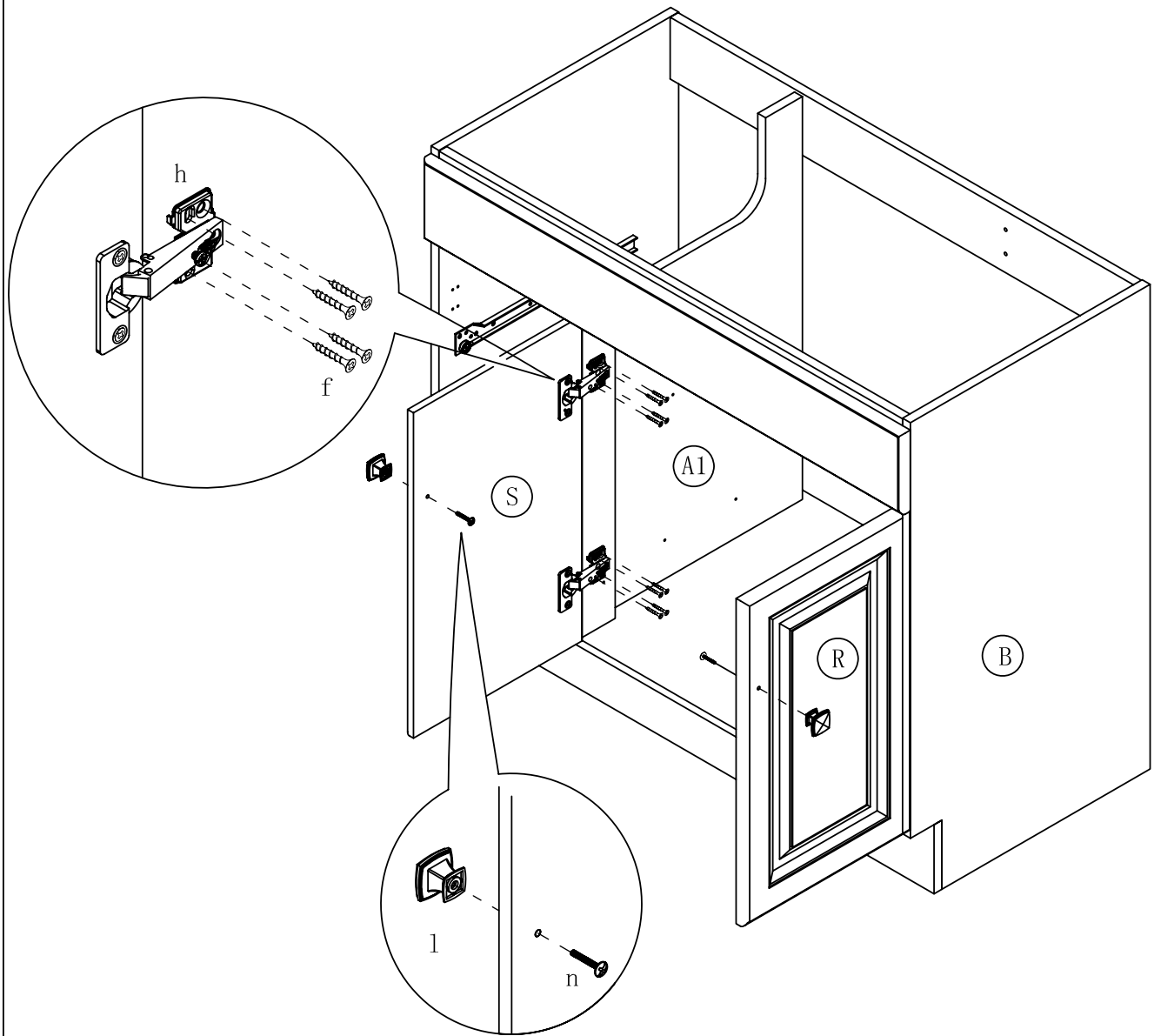
STEP 16



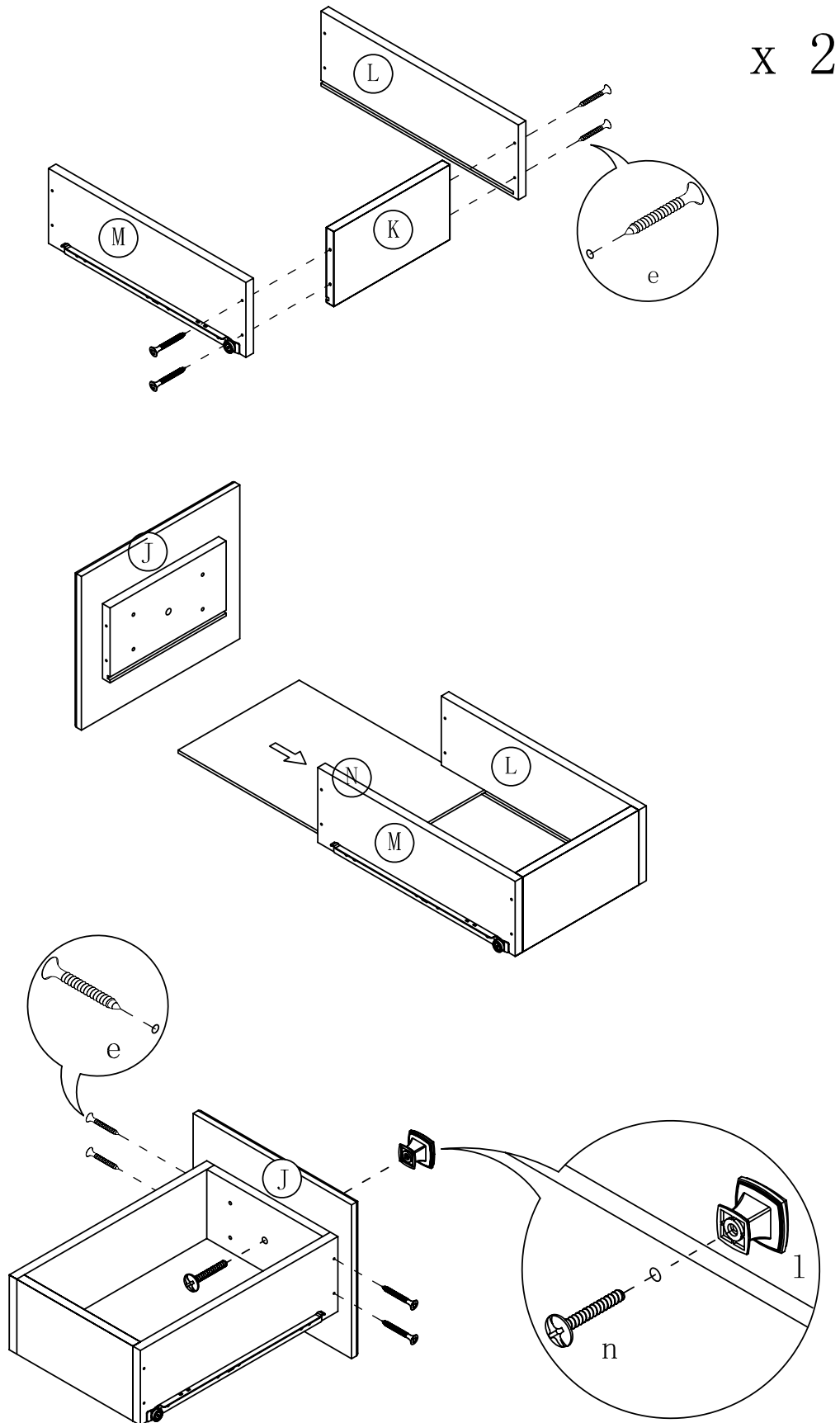
# STEP 17



# STEP 18



STEP 19





STEP 20

