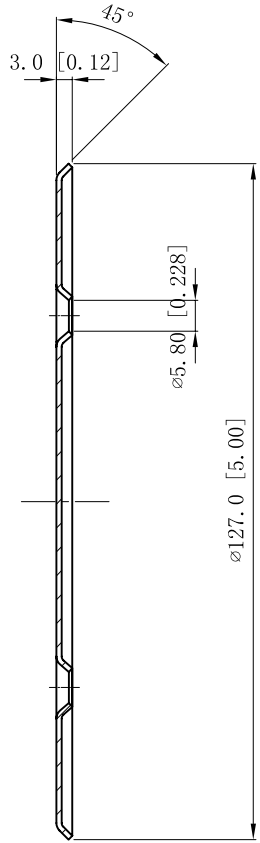
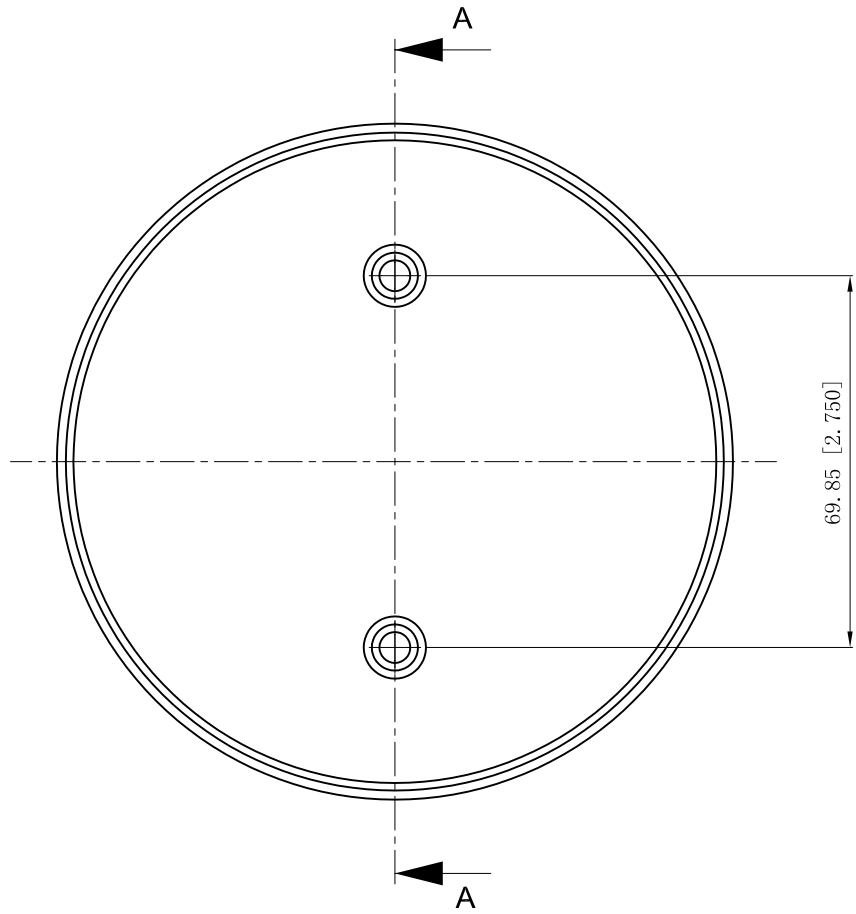


SIDES	BOTTOM
2 PCS 8-32×1 3/4 Screws Pack In Poly-bag Separately	
Material:Steel-0.0276"-C.R.S Powder Coating White	



CUTAWAY VIEW A-A



DESCRIPTION
TRADE REFERENCE TERMS

STANDARD PACKING
25 PCS

This data sheet is for reference only .GARVIN INDUSTRIES reserves the right to make changes to the design without prior notice.

GARVIN INDUSTRIES		
5" ROUND CEILING BLANKS		
SIZE A4	DWG NO. CBC-275	REV A
DATA SHEET		