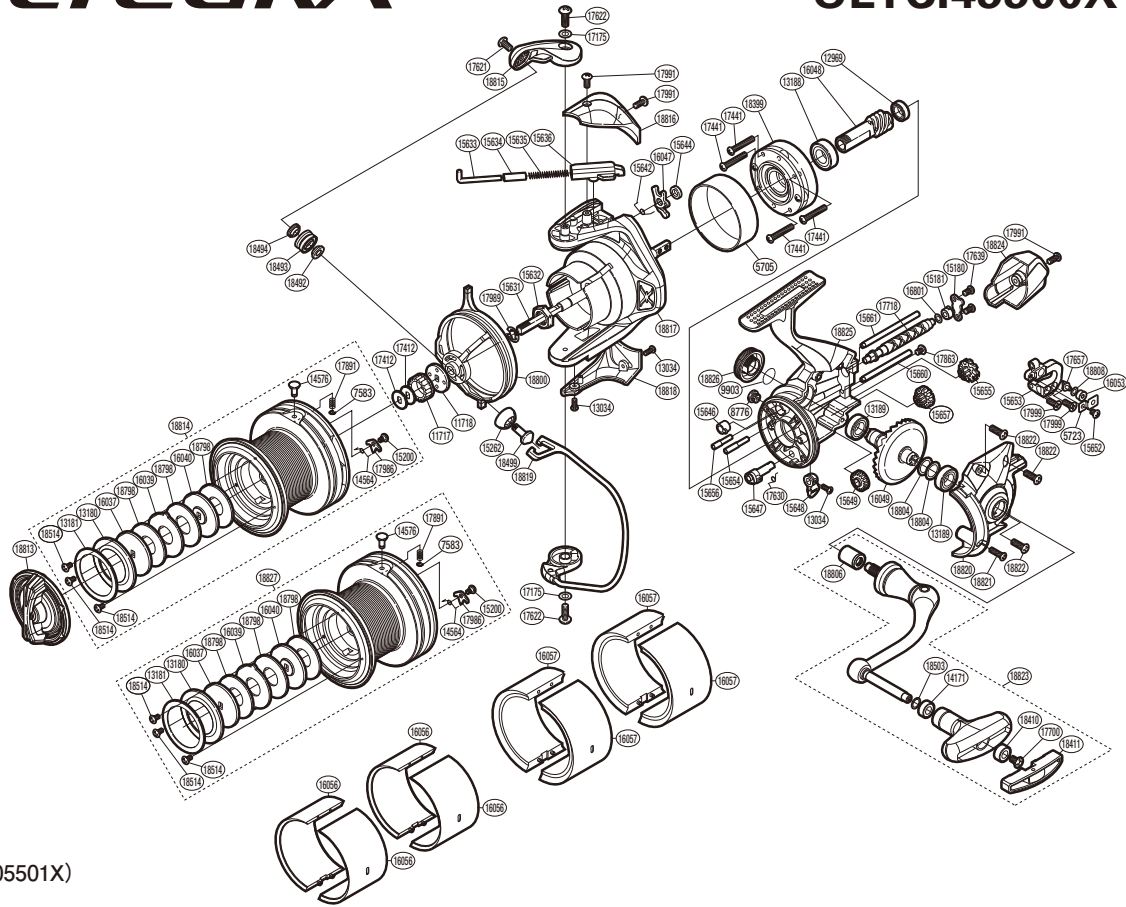


SHIMANO

ULTEGRA

ULTCI45500XTC



(51SH505501X)

#	Part No.	Description	#	Part No.	Description	#	Part No.	Description
5705	106HS	Roller Clutch Ring	15653	10G61	Oscillating Slider	18411	10TNL	Handle Knob Seal
5723	10H7L	Oscillating Pawl Cover	15654	10CKJ	Idle Gear B Shaft	18492	10QUP	Line Roller Collar
7583	105NC	E Lock	15655	10CNB	Idle Gear B	18493	101A1	Line Roller Assembly
8776	104KM	Oil Cap	15656	10H4D	Idle Gear C Shaft	18494	10QV3	Line Roller Spacer
9903	108WA	O Ring	15657	10H4A	Idle Gear C	18499	10QUV	Line Roller Support
11717	10Q03	Spool Support A	15660	10356	Oscillating Guide A	18503	101BD	Washer
11718	10GH4	Spool Support B	15661	104M6	Oscillating Guide B	18514	10E8N	Screw
12969	107FA	Ball Bearing	16037	10BC7	Key Washer	18798	10S5Z	Drag Washer
13034	103NJ	Screw	16039	102XY	Eared Washer	18800	10S5S	Line Safety Guard Assembly
13180	10B3R	Seal Plate A	16040	10QBX	Key Washer	18804	10SYV	Washer
13181	10PLS	Seal Plate B	16047	106KL	Bail Trip Lever	18806	10PQA	Handle Shaft Cover B
13188	10BGD	Ball Bearing	16048	10BZ2	Pinion Gear	18808	10EAU	Washer
13189	104PT	Ball Bearing	16049	10AM9	Drive Gear	18813	10S5B	Drag Knob Assembly
14171	104UJ	Handle Knob Bushing	16053	10JXM	Oscillating Slider Bushing	18814	10S5R	Spool Assembly
14564	10JM3	Drag Click Spring	16801	10K9C	Washer	18815	10S5D	Bail Arm
14576	10ATV	Line Clip	17175	1059Q	Washer	18816	10TLV	Bail Spring Cover
15180	10AT4	Worm Shaft Retainer	17412	10PH7	Spool Washer	18817	10S5M	Rotor
15181	106M3	Worm Bushing (Rear)	17441	10LJ3	Screw	18818	10S5J	Bail Hold Support Guard
15200	10A6G	Screw	17621	10K9Z	Screw	18819	10RXC	Bail Assembly
15262	10G8L	Line Roller Support Cover	17622	10LLK	Screw	18820	10S5V	Side Cover
15631	10L4Q	Main Shaft	17630	10DCS	Anti-Reverse Cam Spring	18821	101WL	Screw
15632	1080W	Rotor Nut	17639	10L2Z	Screw	18822	101EH	Screw
15633	105YV	Bail Spring Guide A	17657	10DMN	Oscillating Pawl	18823	10S5W	Handle Assembly
15634	10HDK	Bail Spring Guide A Support	17700	10LFA	Screw	18824	10S5G	Rear Protector
15635	105LJ	Bail Spring	17718	10DMQ	Worm Shaft	18825	10RXD	Body Assembly
15636	107A7	Bail Spring Guide B	17863	10LCS	Screw	18826	10S5N	Handle Screw Cap Assembly
15642	106PL	Lever Spring	17891	10B0Z	Line Clip Spring			
15644	10763	Washer	17986	101SE	Drag Click	18827	10S5P	Spare Spool Assembly (Accessory)
15646	106M1	Worm Bushing (Front)	17989	10KHH	E Lock			
15647	1053L	Anti-Reverse Cam	17991	10LFL	Screw			
15648	10ANY	Anti-Reverse Lever	17999	10LA7	Screw			
15649	10HBF	Idle Gear	18399	10S0Y	Roller Clutch Assembly	16056	10EWG	Spool Economizer A (4500) (Accessory)
15652	103LG	Screw	18410	10EU0	Handle Knob Bushing A	16057	109WG	Spool Economizer B (3500) (Accessory)

Please note that the number of adjusting washers may not be the same as shown in the exploded views.
(Adjustment will vary with each individual product.)

(230802)_002