



# 5" IC 600 LUMEN WARMDIM® LED DOWNLIGHT NEW CONSTRUCTION

## IC20LED (WD G4N 06LM), RECESSED HOUSING

## OPEN TRIMS

Project: \_\_\_\_\_

Fixture Type: \_\_\_\_\_

Location: \_\_\_\_\_

Contact/Phone: \_\_\_\_\_



### PRODUCT DESCRIPTION

Dedicated LED, Air-Loc® sealed new construction housing with patented WarmDim® technology • LED color temperature warms while dimming to emulate the dimming performance of traditional incandescent light sources • Shallow housing allows for fit in 2 x 6 construction • Can be completely covered with insulation • Fully sealed housing stops infiltration and exfiltration of air, reducing heating and air cooling costs without the use of additional gaskets • LED housing is designed to provide 50,000 hours of life and is compatible with many standard Juno trims • 5 year limited warranty on LED components.

### ENVIRONMENTALLY FRIENDLY, ENERGY EFFICIENT

- No harmful ultraviolet or infrared wavelengths
- No lead or mercury
- Comparable light output to 65W BR30 incandescent while consuming 10W

### PRODUCT SPECIFICATIONS

**LED Light Engine** Proprietary patented micro processor controlled light engine emulates dimming performance of incandescent light source • Replaceable light engine integrated to thermally conductive housing provides uninterrupted heat transfer to ensure long life of the LEDs • 3000K color temperature at full lumen output • 90 CRI minimum throughout dimming range • Design covered under Patent US 8,710,754.

**Optical System** Computer-optimized reflector design with high reflectance white finish coupled with a high transmission diffusing lens conceals the LEDs and produces uniform aperture luminance • Deep regression of lens produces a low glare, efficient system that can produce over 600 lumens with select trims (see page 2 for details) using 10W • Wide flood (>70°) distribution shipped as standard with optional optic accessory available and sold separately.

**Aesthetic Trim Selections** Compatible with wide selection of existing Juno trims • Shadow free, knife edge design blends seamlessly into ceiling.

**LED Driver** Dedicated 120 volt (120) driver • Power factor > 0.9 • Dimmable with the use of most incandescent, magnetic low voltage and electronic low voltage wall box dimmers • For a list of compatible dimmers, see [JUNOICLED-DIM](#) • Mounted between the junction box and housing for easy access and cool operation.

**Life** Rated for 50,000 hours at 70% lumen maintenance.

**Labels** ENERGY STAR® Certified when used with select trims • Certified to the high efficacy requirements of California T24 JA8-2016 with select trims • UL listed for U.S. and Canada, through-branch wiring and damp locations • Union made • UL and cUL.

**Testing** All reports are based on published industry procedures; field performance may differ from laboratory performance.

Specifications subject to change without notice.

### HOUSING FEATURES

**Housing** Designed for use in IC (insulated ceiling) or non-IC construction • Aluminum housing sealed for Air-Loc® compliance • Housing is vertically adjustable to accommodate up to a 2" ceiling thickness.

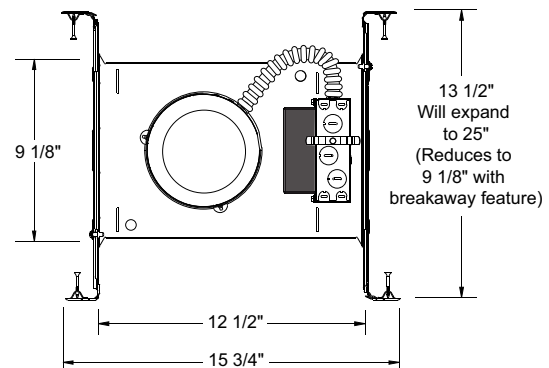
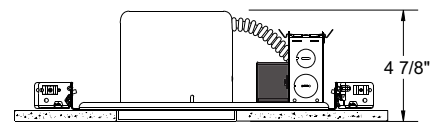
**Junction Box** Pre-wired junction box provided with (5) ½" and (1) ¾" knockouts, (4) knockouts for 12/2 or 14/2 NM cable and ground wire • UL listed and cUL listed for through-branch wiring, maximum 8 #12 branch circuit conductors • Junction box provided with removable access plates • Knockouts equipped with pryout slots • Quick connect electrical connectors supplied as standard for fast, secure installation.

**Mounting Frame** 22-gauge die-formed galvanized steel mounting frame • Rough-in section (junction box, mounting frame, housing and bar hangers) fully assembled for ease of installation.

**Real Nail 3 Bar Hangers** Telescoping Real Nail® 3 system permits quick placement of housing anywhere within 24" O.C. joists or suspended ceilings • Includes removable nail for repositioning of fixture in wood joist construction • Integral T-bar notch and clip for suspended ceilings • Design covered under US Patent D552,969.



### DIMENSIONS

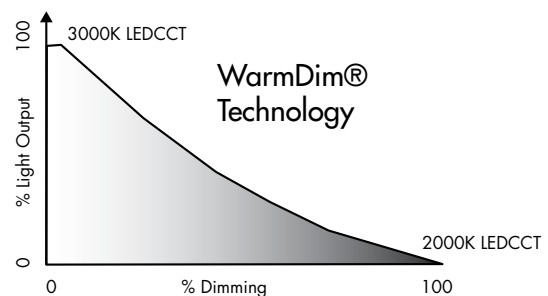


5 5/8" CEILING CUTOUT

### ELECTRICAL DATA

#### Dedicated 120V Only Driver

120V	
Input Power	10W (+/- 5%)
Input Current	0.08A
Frequency	50/60 Hz
EMI/RFI	FCC Title 47 CFR, Part 15 Class B (residential)
Minimum starting temp	-20°C



**MAINSTREAM  
DYNAMIC**  
BY ACUITY BRANDS®

# 5" IC 600 LUMEN WARMDIM® LED DOWNLIGHT NEW CONSTRUCTION

## IC20LED (WD G4N 06LM), RECESSED HOUSING OPEN TRIMS

**ORDERING INFORMATION** Housing and trim can be ordered together or separate, but will always ship separately.

Example: IC20LED WD G4N 06LM 30K 90CRI 120 FRPC

Series	Dynamic Feature	Generation	Lumens	Color Temperature	CRI	Voltage	Driver
IC20LED	5" LED IC New Construction Downlight	WD Warm Dim	G4N Generation 4 New	06LM 600 Nominal Lumens	30K 3000K	90CRI 90+ CRI	120 120V FRPC Forward/ Reverse Phase Cut

### Trim/Description

	<b>205 BABZ</b> <sup>1</sup>	5" Downlight Baffle Trim - Black Baffle, Classic Aged Bronze Trim Ring
	<b>205 BSC</b> <sup>1</sup>	5" Downlight Baffle Trim - Black Baffle, Satin Chrome Trim Ring
	<b>205 BWH</b> <sup>1</sup>	5" Downlight Baffle Trim - Black Baffle, White Trim Ring
	<b>205 WWH</b>	5" Downlight Baffle Trim - White Baffle, White Trim Ring
	<b>204 BWH</b> <sup>1</sup>	5" Downlight Cone Trim - Black Alzak® Cone, White Trim Ring
	<b>204 CWH</b>	5" Downlight Cone Trim - Clear Alzak® Cone, White Trim Ring
	<b>204 GWH</b>	5" Downlight Cone Trim - Gold Alzak® Cone, White Trim Ring
	<b>204 HZWH</b>	5" Downlight Cone Trim - Haze Cone, White Trim Ring
	<b>204 PTSC</b>	5" Downlight Cone Trim - Pewter Alzak® Cone, Satin Chrome Trim Ring
	<b>204 WHAZABZ</b>	5" Downlight Cone Trim - Wheat Haze Cone, Classic Aged Bronze Trim Ring
	<b>204 WHZWH</b>	5" Downlight Cone Trim - Wheat Haze Cone, White Trim Ring
	<b>204 WWH</b>	5" Downlight Cone Trim - Glass White Cone, White Trim Ring

<sup>1</sup> Not ENERGY STAR® Certified

### Accessories (ordered separately)

Catalog Number	Description
LEDOPTICG3 MFL	Optic For G3 RECLD - Medium Flood

To order, specify catalog number.

Catalog Number	Description
TR5 ABZ	5" Trim Ring - Classic Aged Bronze
TR5 BL	5" Trim Ring - Black
TR5 SC	5" Trim Ring - Satin Chrome
TR5 WH	5" Trim Ring - White

To order, specify catalog number.

Trim Size: 6¼" O.D.

Alzak® is a registered trademark of Alcoa Corp.

Note: In Canada when insulation is present, Type IC fixtures must be used.

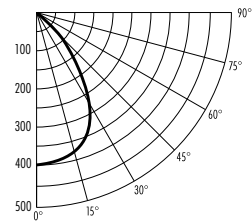
# 5" IC 600 LUMEN WARMDIM® LED DOWNLIGHT NEW CONSTRUCTION

IC20LED (WD G4N 06LM), RECESSED HOUSING  
OPEN TRIMS

**PHOTOMETRIC REPORT**

Test Report #: PT09141101  
Catalog No: IC20LED WD G4N 06LM 30K  
120 FRPC with 205 WWH Trim and standard  
wide flood optic

Luminaire Spacing Criterion: 1.12  
Luminaire LPW: 62

**CANDLEPOWER DISTRIBUTION (Candelas)**

Degrees	0°
Vertical	0°
0	402
5	400
15	384
25	334
35	227
45	102
55	54
65	31
75	18
85	4
90	0

**AVERAGE INITIAL FOOTCANDLES**

Multiple Units (Square Array, 60"x60" room)  
Ceiling 80% Wall 50% Floor 20%

Spacing	RCR1	RCR3	RCR5
4.0'	42	34	29
5.0'	27	22	18
6.0'	19	15	13
7.0'	15	12	10
8.0'	12	10	8
9.0'	9	7	6
10.0'	7	5	5

**ZONAL LUMEN SUMMARY**

Zone	Lumens	%Lamp	%Fixture
0-30°	298	N/A	47.9
0-40°	438	N/A	70.3
0-60°	569	N/A	91.3
0-90°	623	N/A	100.0

**INITIAL FOOTCANDLES (One Unit, 10W , 73.4° Beam)**

Distance to Illuminated Plane (Feet)	Footcandles Beam Center	Beam Diameter
4	25.1	6.0'
6	11.2	8.9'
8	6.3	11.9'
10	4.0	14.9'

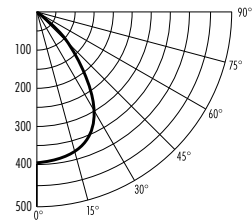
**LUMINANCE (Average cd/m<sup>2</sup>)**

Degrees	Average Luminance
45	13638
55	8993
65	6866
75	6631
85	4025

**PHOTOMETRIC REPORT**

Test Report #: PT09141104  
Catalog No: IC20LED WD G4N 06LM 30K  
120 FRPC with 204HZ-WH Trim and standard  
wide flood optic

Luminaire Spacing Criterion: 1.20  
Luminaire LPW: 67

**CANDLEPOWER DISTRIBUTION (Candelas)**

Degrees	0°
Vertical	0°
0	386
5	386
15	381
25	346
35	252
45	125
55	69
65	37
75	15
85	0
90	0

**AVERAGE INITIAL FOOTCANDLES**

Multiple Units (Square Array, 60"x60" room)  
Ceiling 80% Wall 50% Floor 20%

Spacing	RCR1	RCR3	RCR5
4.0'	45	37	31
5.0'	29	24	20
6.0'	20	16	14
7.0'	16	13	11
8.0'	13	11	9
9.0'	10	8	7
10.0'	7	6	5

**ZONAL LUMEN SUMMARY**

Zone	Lumens	%Lamp	%Fixture
0-30°	302	N/A	44.9
0-40°	457	N/A	68.0
0-60°	618	N/A	91.9
0-90°	672	N/A	100.0

**INITIAL FOOTCANDLES (One Unit, 10W , 78.2° Beam)**

Distance to Illuminated Plane (Feet)	Footcandles Beam Center	Beam Diameter
4	24.1	6.5'
6	10.7	9.8'
8	6.0	13.0'
10	3.9	16.3'

**LUMINANCE (Average cd/m<sup>2</sup>)**

Degrees	Average Luminance
45	16722
55	11390
65	8324
75	5422
85	435

Fixtures tested to IES recommended standard for solid state lighting per LM-79-08. Photometric performance on a single unit represents a baseline of performance for the fixture. Results may vary in the field.