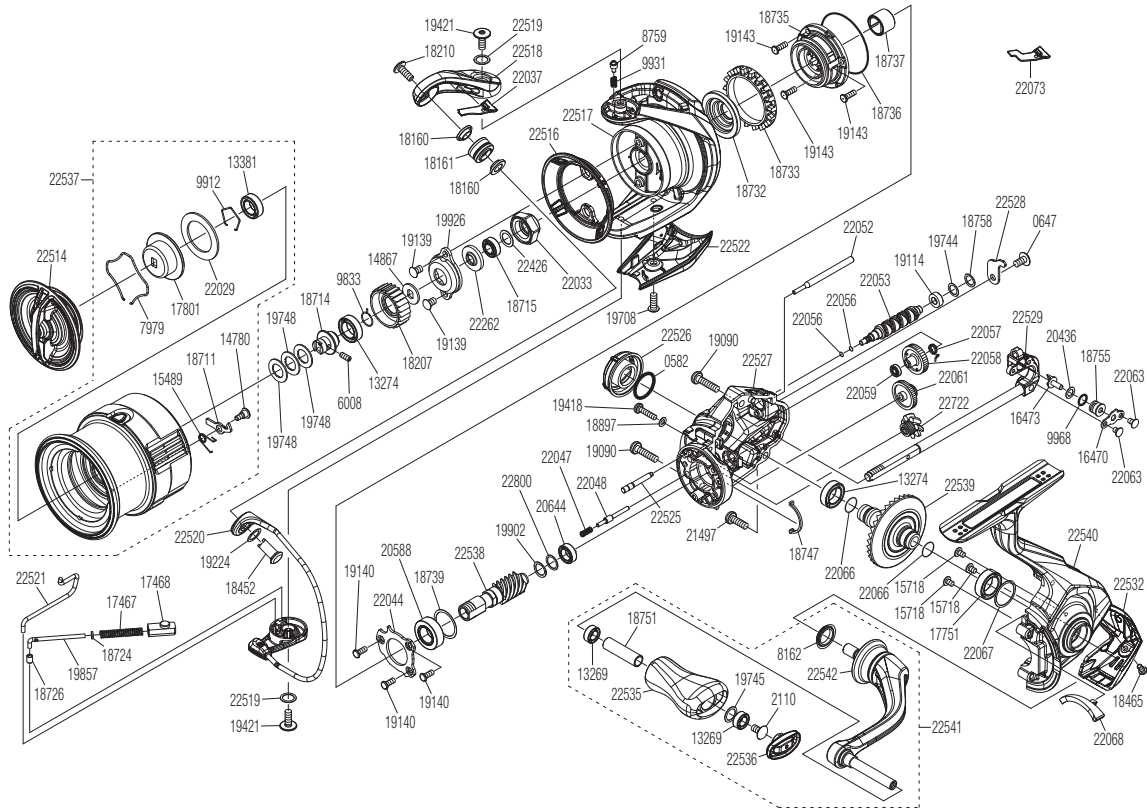


SHIMANO

Vanquish

VQ-2500SHG



Please note that the number of adjusting washers may not always be the same as shown in the exploded views.

(51SF607E27X)

Please note that your actions take full responsibility when you take it apart.

#	Part No.	Description	#	Part No.	Description	#	Part No.	Description
0582	108WH	O Ring	18747	10DKA	Flange Water Proof	22262	10SPZ	Bearing Water Proof
0647	10QG5	Screw	18751	1022F	Handle Knob Shaft Pipe	22426	101FF	Washer
2110	103E9	Screw	18755	101BY	Oscillating Slider Bushing	22514	13XDJ	Drag Knob Assembly
6008	10PN2	Set Screw	18758	10TK0	Washer	22516	13XDL	Rotor Brim
7979	10B6F	Retainer	18897	10GD4	Washer	22517	13XDM	Rotor Assembly
8162	10PV4	Handle Shaft Seal	19090	100YN	Screw	22518	13XDN	Bail Arm
8759	106UX	Click Pin	19114	10TH6	Bushing	22519	13XDP	Washer
9833	107V2	Ratchet Spring	19139	10T1G	Screw	22520	13XDQ	Bail Assembly
9912	10GEW	Bearing Retainer	19140	10TGX	Screw	22521	13XDR	Bail Trip Lever
9931	10CGZ	Click Spring	19143	101LH	Screw	22522	13XDS	Bail Hold Support Guard
9968	108W9	O Ring	19224	1002S	Washer	22525	13XDV	Idle Gear C Shaft
13269	104VX	Ball Bearing	19418	1017M	Screw	22526	13XDW	Handle Screw Cap Assembly
13274	104PP	Ball Bearing	19421	10RFW	Screw	22527	13XDX	Body
13381	104JT	Ball Bearing	19708	10E8R	Screw	22528	13XDY	Worm Shaft Retainer
14780	10A6F	Screw	19744	100XZ	Washer	22529	13XDZ	Main Shaft Assembly
14867	103PE	Spool Support A	19745	104FH	Washer	22532	13XE2	Rear Protector
15489	10BQE	Drag Click Spring	19748	10DHG	Spool Washer	22535	1004X	Handle Knob
15718	1055G	Screw	19857	10SAN	Bail Spring Guide A	22536	10SML	Handle Knob Seal
16470	10HAG	Oscillating Pawl Cover	19902	10DJ1	Washer	22537	13XE5	Spool Assembly
16473	106VL	Oscillating Pawl	19926	1076N	Retainer	22538	13XE6	Pinion Gear
17467	10R2P	Bail Spring	20436	100CW	Washer	22539	13XE7	Drive Gear
17468	10R2E	Bail Spring Guide B	20588	10R77	Ball Bearing	22540	13XE8	Side Cover Assembly
17751	10EX8	Ball Bearing	20644	10RKR	Ball Bearing	22541	13XE9	Handle Assembly
17801	10BCB	Key Washer A	21497	10172	Screw	22542	13XEA	Handle Shank Assembly
18160	1020L	Bearing Spacer	22029	10R5H	Drag Washer A	22722	13YJ8	Idle Gear (Large)
18161	101KE	Line Roller Set	22033	10R5F	Rotor Nut	22800	143BL	Spacer
18207	10SYS	Drag Click Ratchet	22037	10R52	Bail Arm Fin			
18210	10TLJ	Screw	22044	10R53	Bearing Retainer			
18452	10EAP	Line Roller Support	22047	10R5T	Idle Gear Spring			
18465	10EFO	Screw	22048	10R5K	Idle Gear Shaft			
18711	10TJX	Drag Click	22052	10R4U	Oscillating Guide A			
18714	10DKF	Spool Bearing Bushing	22053	10R55	Worm Shaft			
18715	10TD2	Main Shaft Spacer Assembly	22056	10092	O Ring			
18724	101D9	Spring Guide A Support Collar	22057	10R5N	Idle Gear Spring			
18726	10DKC	Bail Spring Guide A Bush	22058	10R5L	Idle Gear			
18732	101D5	Rotor Ring	22059	10R5Q	Ball Bearing			
18733	10DK7	Friction Ring	22061	10R4Q	Idle Gear C			
18735	10S2L	Roller Clutch Assembly	22063	10R4V	Screw			
18736	10DKD	Roller Clutch Case Seal	22066	1009S	O Ring			
18737	10DJY	Roller Clutch Inner	22067	1022D	Washer			
18739	10RYR	Washer	22068	10R4Y	Bail Trip Strike	22073	10TD4	Bail Arm Fin (accessory)