



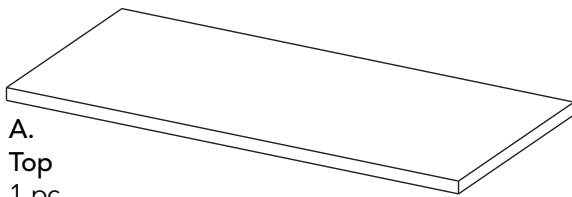
**IMPORTANT**

Carefully remove all the parts from the carton and place them individually on a soft cloth to prevent scratches or other damage.

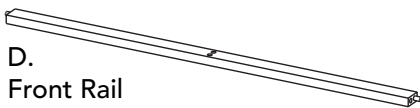
Carefully and strictly follow these assembly instructions to ensure a completed product as designed.

Do not use power tools above 8 volts to assemble.

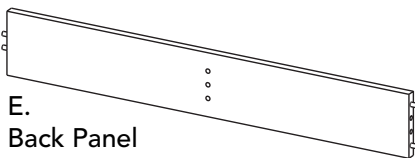
**Part List**



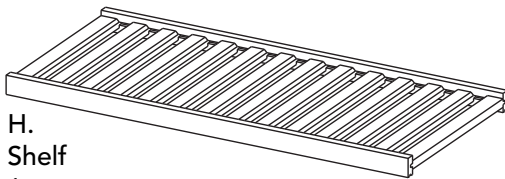
**A.**  
Top  
1 pc.



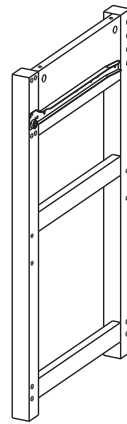
**D.**  
Front Rail  
2 pcs.



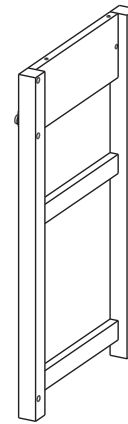
**E.**  
Back Panel  
1 pc.



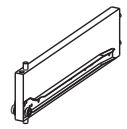
**H.**  
Shelf  
1 pc.



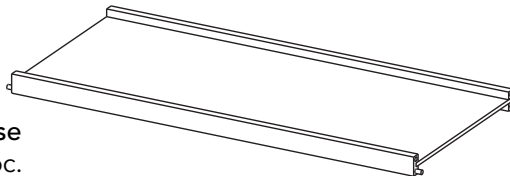
**B.**  
Side Frame  
1 pc.



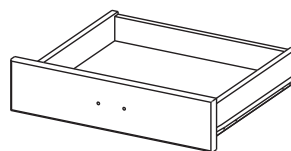
**C.**  
Side Frame  
1 pc.



**F.**  
Divider  
1 pc.



**G.**  
Base  
1 pc.



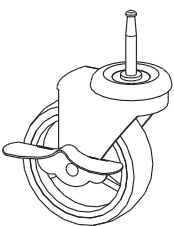
**I.**  
Drawer  
2 pcs.



**J.**  
Towel Bar  
1 pc.

Refer to later page(s) of these instructions for drawer assembly.

**Hardware List**



**Caster**  
2 Locking  
2 Non-Locking  
4 pcs.



**Hex Wrench**  
1 pc.



**M4x24**  
Cam Lock Screw  
4 pcs. (+1 extra)



**M6x35**  
Head Cap Bolt  
15 pcs. (+1 extra)



**M3.5x25**  
Wood Screw (long)  
16 pcs. (+1 extra)



**M4x25**  
Machine Screw  
4 pcs.



**Adjustable Pin**  
4 pcs. (+1 extra)



**Small Hex Wrench**  
1 pc.



**Cam Lock**  
4 pcs. (+2 extra)



**M6x25**  
Head Cap Bolt (short)  
2 pcs. (+1 extra)



**M3.5x16**  
Wood Screw (short)  
12 pcs. (+1 extra)



**Handle**  
2 pcs.



**Wood Plug**  
13 pcs. (+1 extra)

Tool(s) required for assembly: Phillips screwdriver

## Assembly Instructions 2/7

### IMPORTANT

- Use a soft cloth between these parts and the floor.
- Do not use power tools above 8 volts to assemble.
- Do not tighten all the bolts until each part is properly assembled.
- Keep Hex Wrench as the bolts may need to be tightened in the future.

### STEP 1

Attach Back Panel (E) to Side Panel (B) with Head Cap Bolts, tightening bolts only halfway. (See Figure 1)

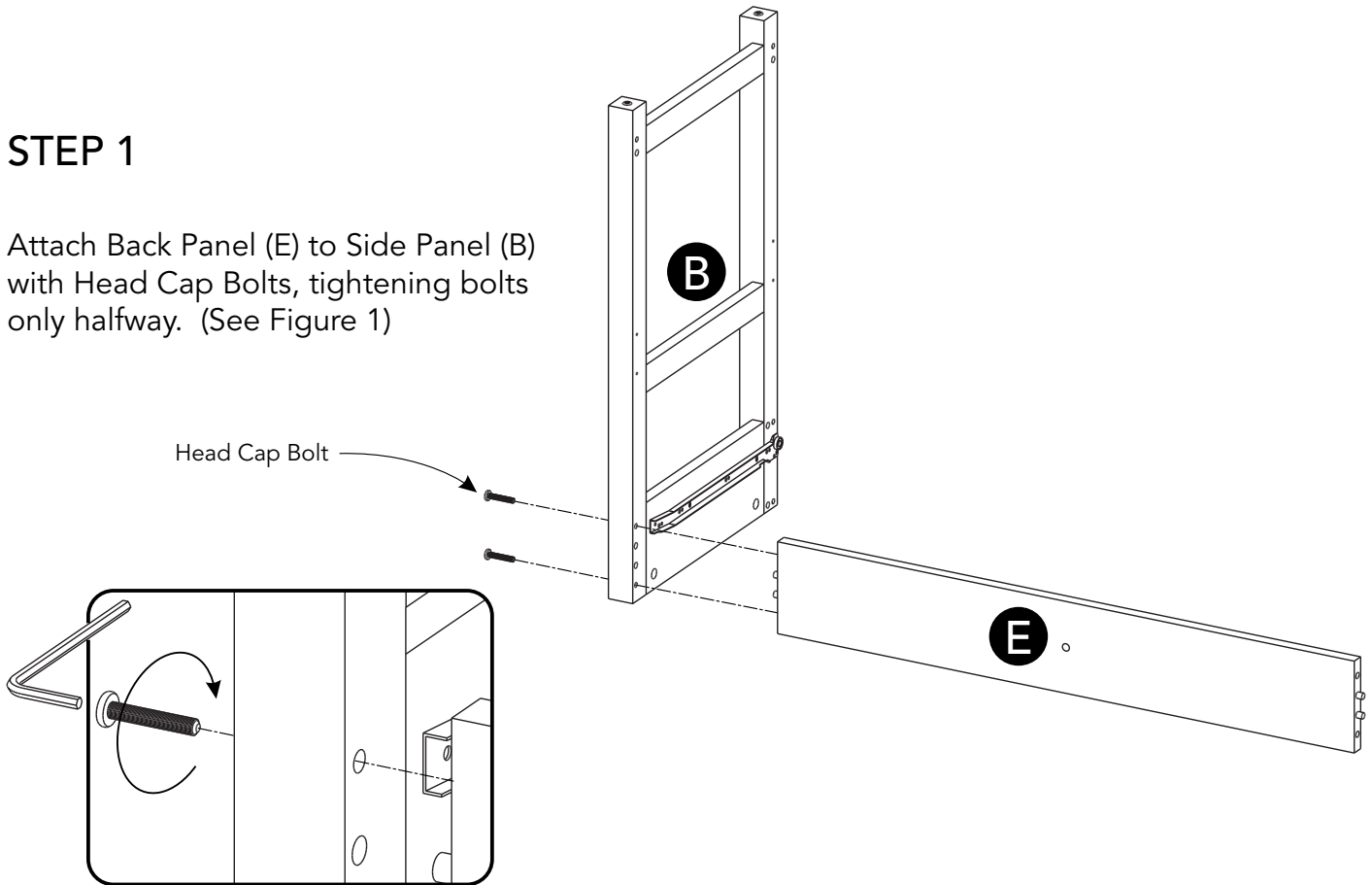
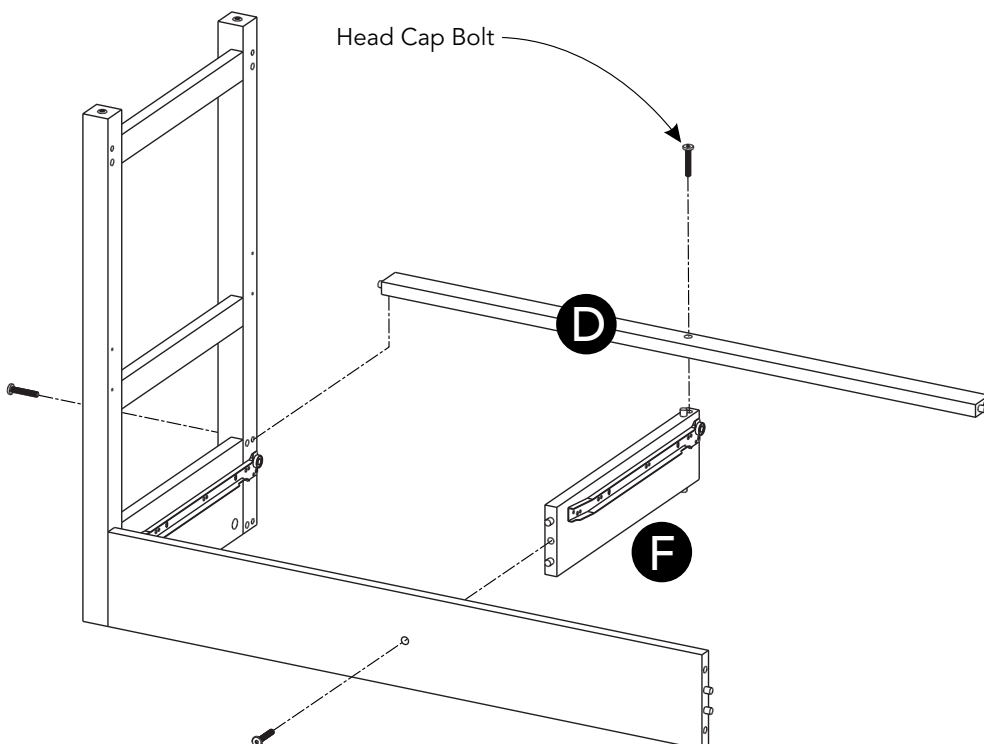


Figure 1

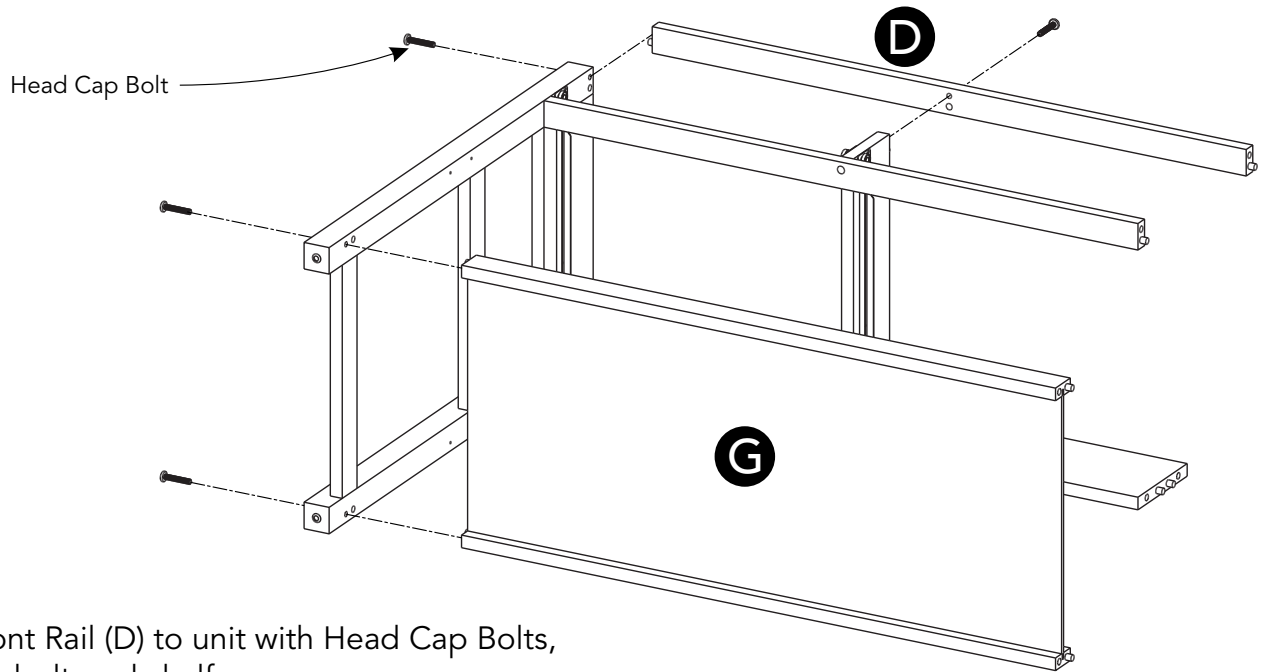


### STEP 2

Attach Divider (F) to unit with Head Cap Bolt, tightening bolt only halfway.

Attach Front Rail (D) to unit with Head Cap Bolts, tightening bolts only halfway.

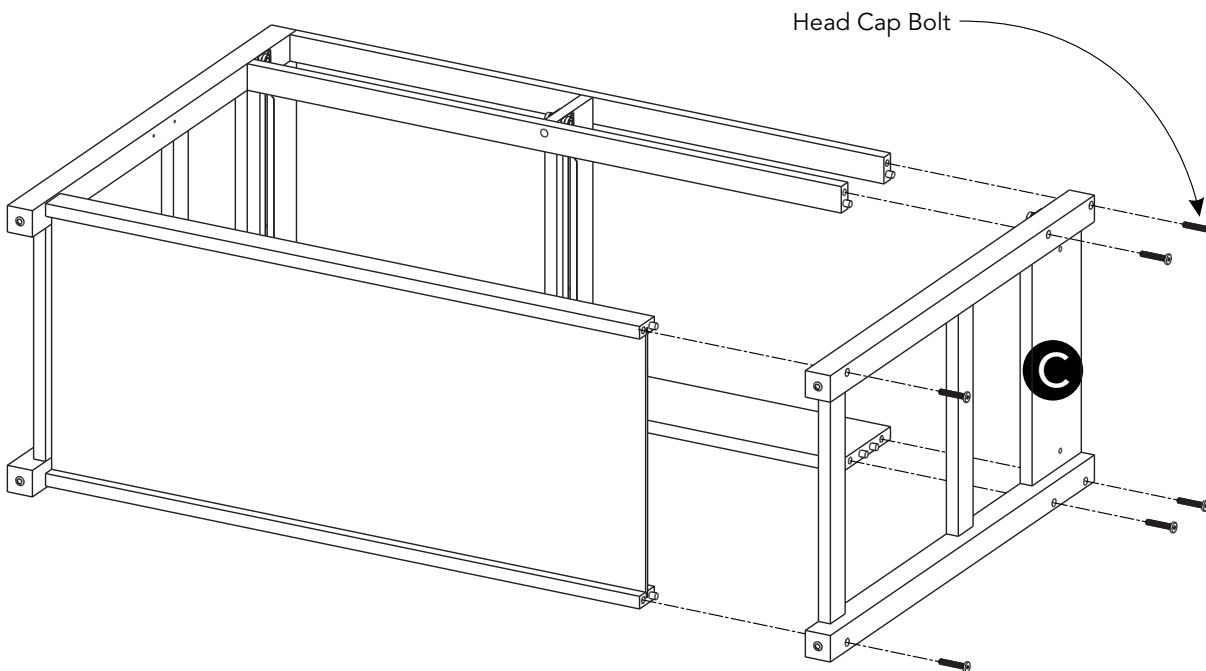
## Assembly Instructions 3/7



### STEP 3

Attach Front Rail (D) to unit with Head Cap Bolts, tightening bolts only halfway.

Attach Base (G) to unit with Head Cap Bolts, tightening bolts only halfway.

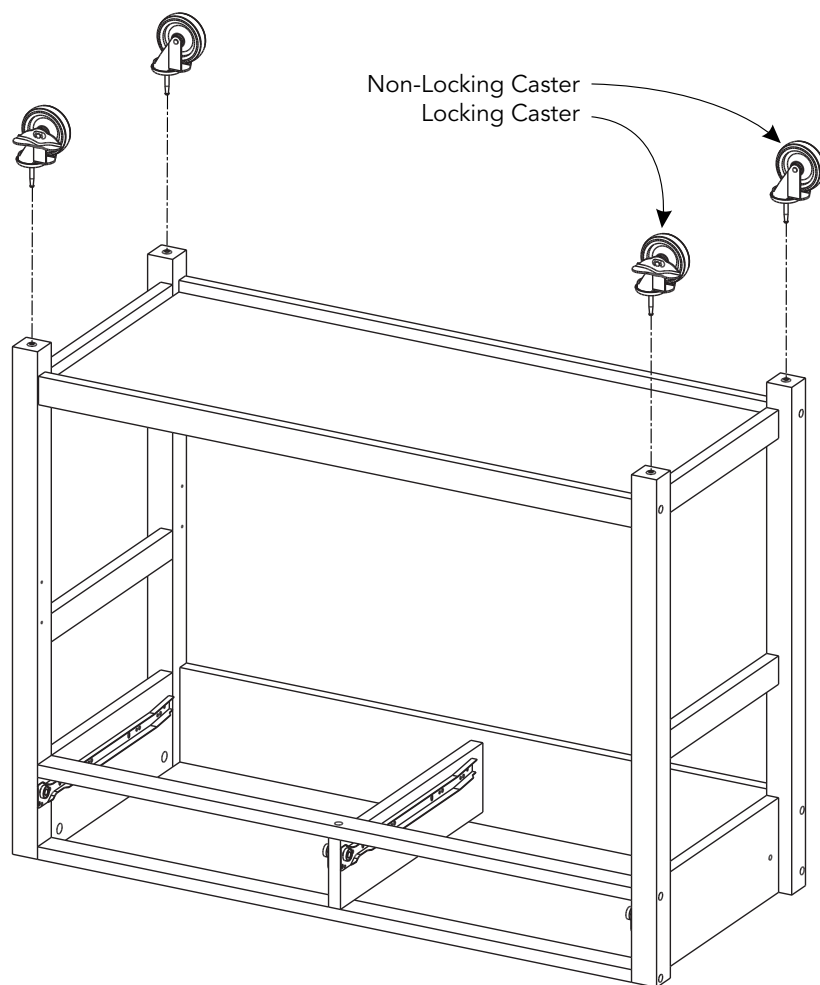


### STEP 4

Attach Side Panel (C) to unit with Head Cap Bolts, tightening bolts only halfway.

Tighten all Head Cap Bolts used in Steps 1, 2, 3 and 4.

## Assembly Instructions 4/7



### STEP 5

Turn unit upside down.

Attach Casters to bottom of unit with Locking Casters at front. (See Figure 2)

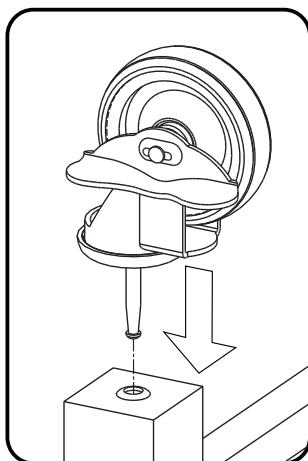


Figure 2

# Assembly Instructions 5/7

## STEP 6

Place Top (A) upside down on a soft cloth.

Insert Cam Lock Screws into pre-drilled holes in Top (A), then tighten. (See Figure 3)

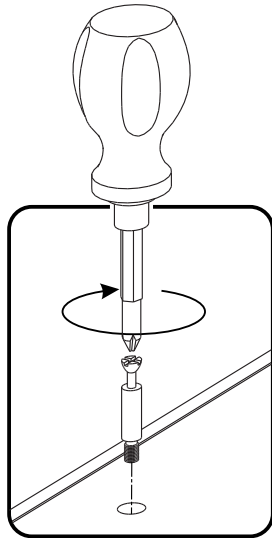
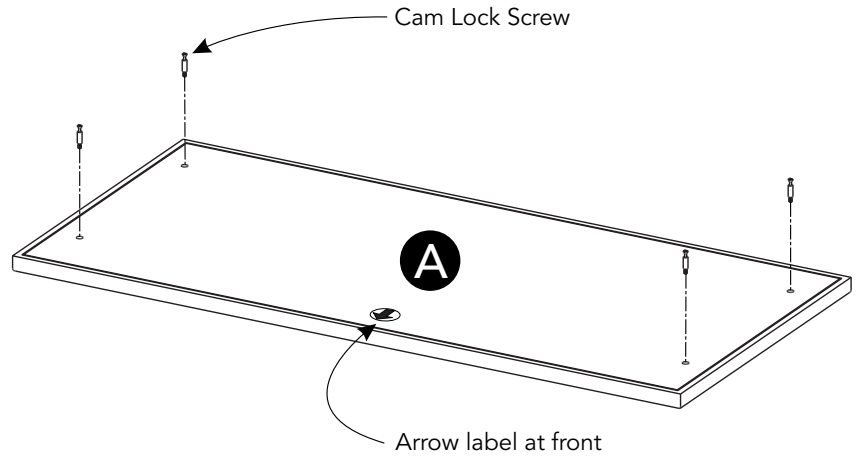


Figure 3

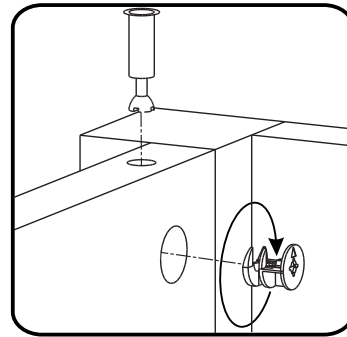
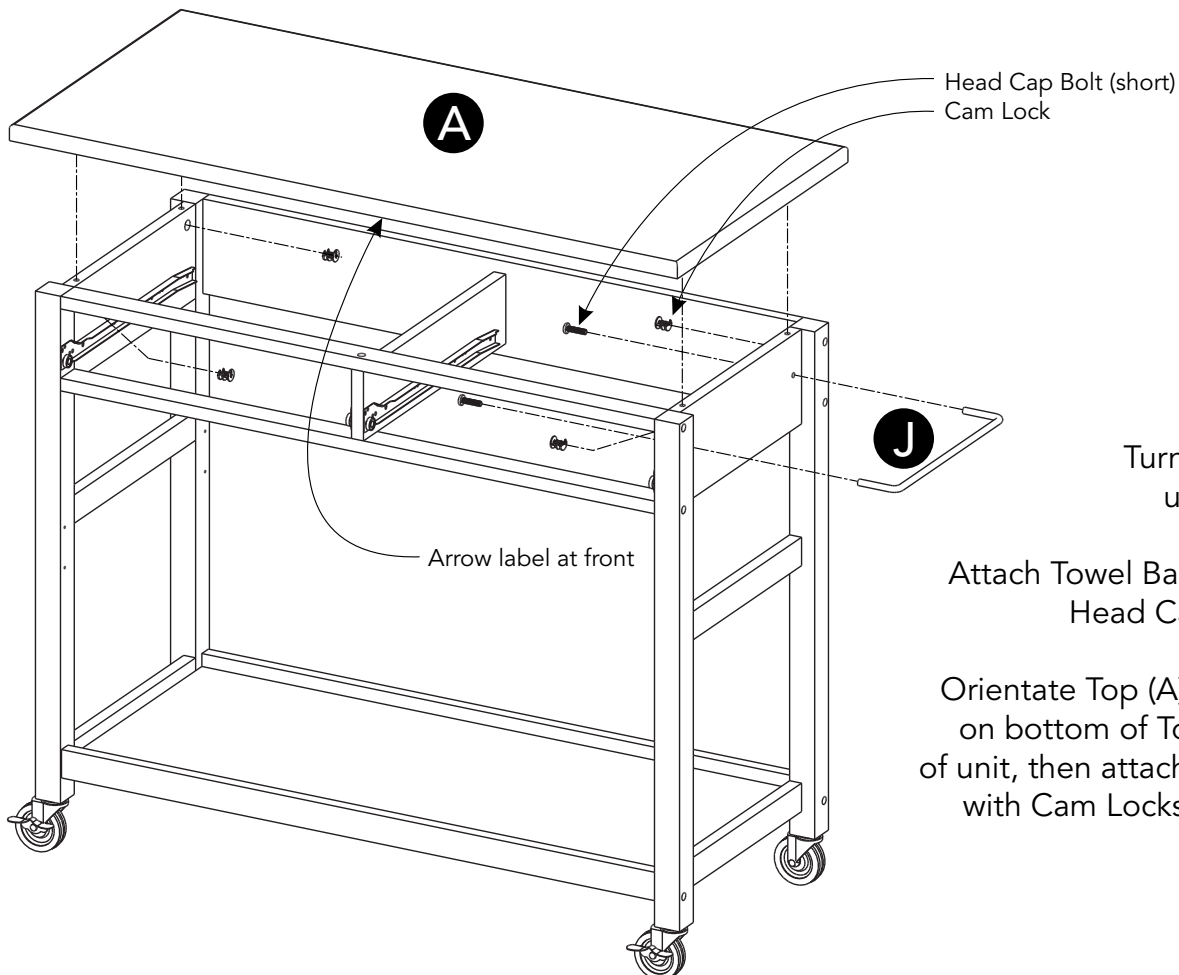


Figure 4



## STEP 7

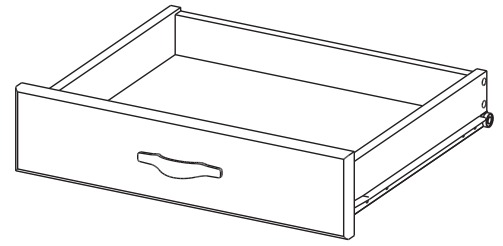
Turn unit over to its upright position.

Attach Towel Bar (J) to unit with Head Cap Bolts (short).

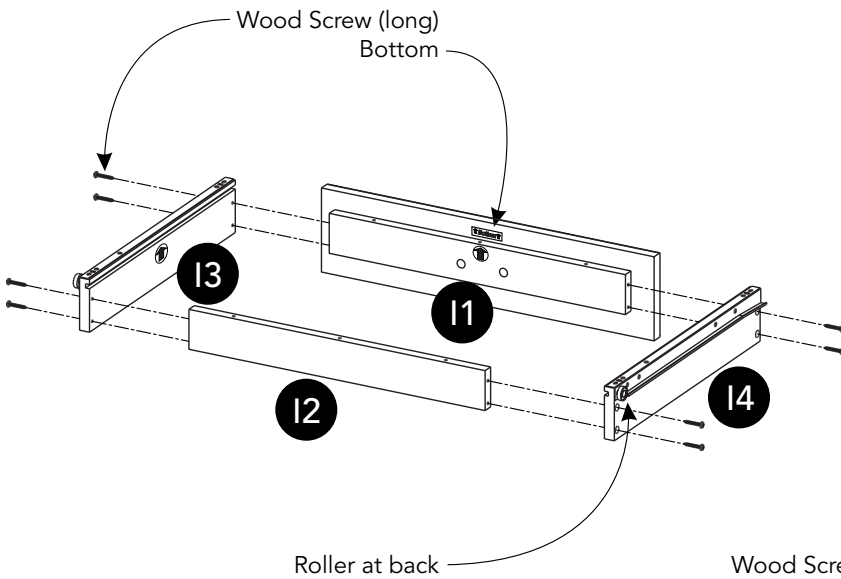
Orientate Top (A) so Arrow label on bottom of Top (A) is at front of unit, then attach Top (A) to unit with Cam Locks. (See Figure 4)

# Assembly Instructions 6/7

## Drawer (I)



### STEP 8



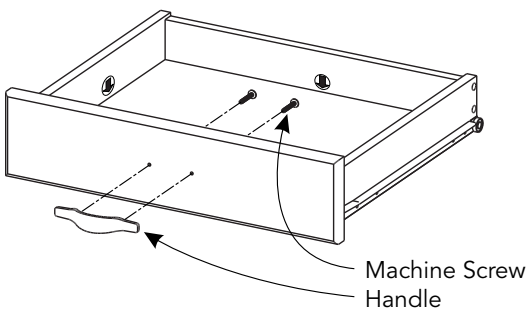
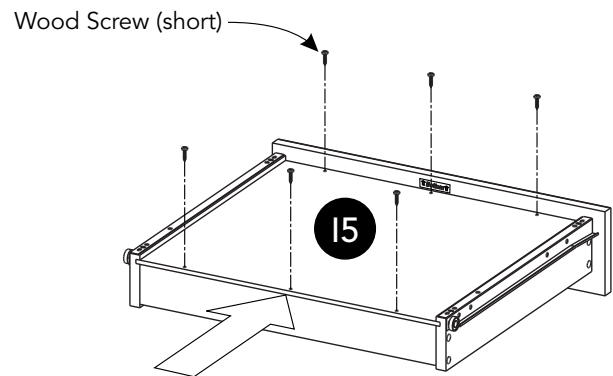
Attach Drawer Front (11) and Drawer Back (12) to Drawer Side (13) with Wood Screws (long).

Attach Drawer Side (14) to unit with Wood Screws (long).

### STEP 9

Slide Drawer Bottom (15) into groove.

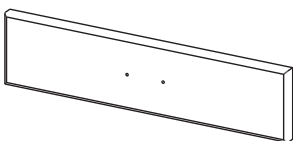
Attach Drawer Bottom (15) to unit with Wood Screws (short).



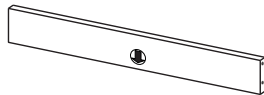
### STEP 10

Attach Handle with Machine Screws.

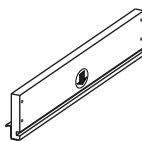
## Part List



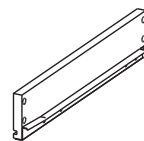
11.  
Drawer Front  
2 pcs.



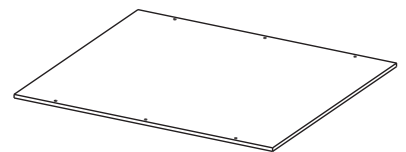
12.  
Drawer Back  
2 pcs.



13.  
Drawer Side  
2 pcs.



14.  
Drawer Side  
2 pcs.



15.  
Drawer Bottom  
2 pcs.

### STEP 11

Slide Drawers (I) into position.

Insert Adjustable Pins into side frames at desired level, then tighten. (See Figure 5)

Place Shelf (H) into position.

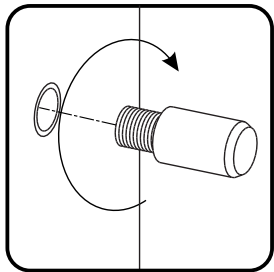
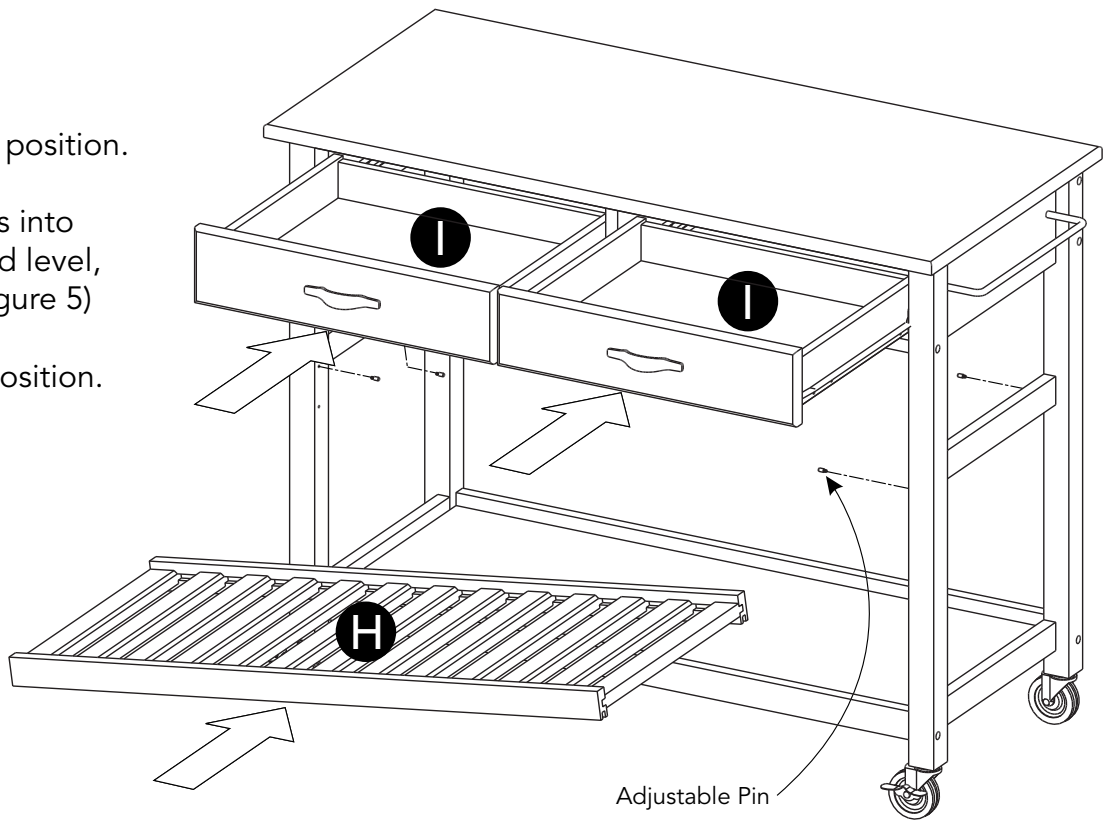
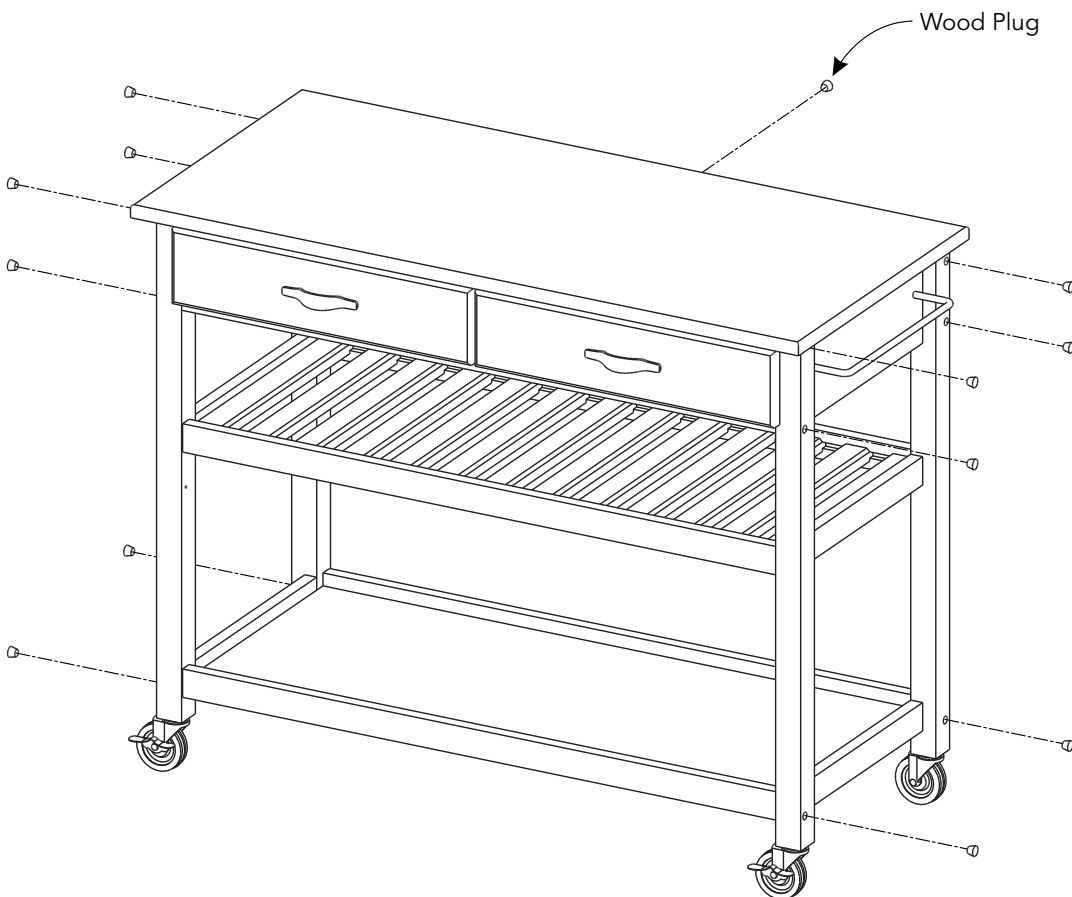


Figure 5



### STEP 12

Cover holes with Wood Plugs. (See Figure 6)

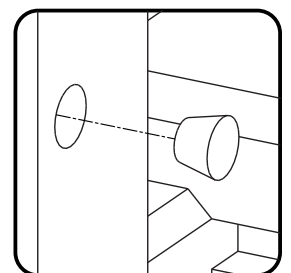


Figure 6

# CARE INSTRUCTIONS

## NEVER

allow liquids to remain on furniture.  
Absorption causes parts to warp  
and split and finishes to delaminate.

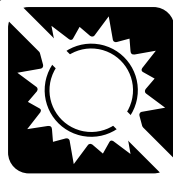
## NEVER

use glass cleaners on  
finished furniture. Ammonia  
chemically attacks the finish.



Do not use power tools  
above 8 volts to assemble.

**PREVENT  
CRACKING**



Do not place  
in direct sunlight.

**PREVENT  
FADING**



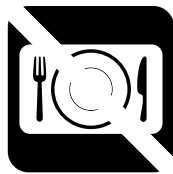
Do not write  
directly on surface.

**PREVENT  
MARKING**



Do not place hot  
objects on surface.

**PREVENT  
FINISH DAMAGE**



Do not use rubber  
based placemats.

**PREVENT  
DISCOLORING**



Do not use commercial  
waxes and polishes.

**PREVENT  
YELLOWING**

## CLEAN

with a soft cloth moistened  
in lukewarm soap and water.  
Buff with a dry clean cloth.



**homestyles** will provide replacements free of charge for missing or damaged parts within 30 days of purchase. Digital images of the defective parts may be required. If the product was not purchased from an authorized retailer, **homestyles** is under no obligation to provide replacement parts. Parts are not available for fully assembled items nor are parts available for sale. Replacements for missing or damaged parts may be requested via contact info below.

**homestyles** Customer Service: [www.homestylesfurniture.com](http://www.homestylesfurniture.com),  
[servicedesk@homestylesfurniture.com](mailto:servicedesk@homestylesfurniture.com), 888-680-7460