

REPLACING CLEANING SOLUTION

1. Use only water based cleaners, replace solution when it becomes dirty.
2. Place an empty container on the lower shelf that is large enough to hold all of the liquid which is in the body.
3. Remove the plug from the bottom of the body. The fluid should drain into the empty container on the shelf below.
4. Dispose of the used cleaning solution properly. Do not drain the cleaning solution into the street drains, house drains, or into the earth. Contact your local waste management officials for proper disposal methods.
5. Replace the plug then refill the body with new cleaning solution.

1 YEAR WARRANTY

PERFORMANCE TOOL® extends only the following warranties, and only to original retail purchasers. These warranties give specific legal rights. Except where prohibited by local law, the law of the State of Washington governs all warranties and all exclusions and limitations of warranties and remedies. There may be other rights which vary from state to state.

PERFORMANCE TOOL® warrants the product to be free from defects in materials and workmanship under normal use and service. A defective product may be returned for a free replacement within 90 days from the date of purchase, provided that product is returned to place of purchase immediately after discovery of defect. After 90 days and up to one year from date of purchase, PERFORMANCE TOOL® will replace at no charge any parts which our examination shall disclose to be defective and under warranty. These warranties shall be valid only when a sales receipt showing the date of purchase accompanies the defective product or defective part (s) being returned. For part (s) after 90 days, please remit your request, postage prepaid to:

PERFORMANCE TOOL, P.O. Box 88259 Tukwila, WA 98138

These warranties exclude blades, bits, punches, dies, bulbs, fuses, hoses, and other consumables which must be replaced under normal use and service. These warranties shall not apply to any product or part which is used for a purpose for which it is not designed, or which has been repaired or altered in any way so as to affect adversely its performance or reliability, nor shall these warranties apply to any product or part which has been subject to misuse, neglect, accident or wear and tear incident to normal use and service.

PERFORMANCE TOOL® does not authorize any other person to make any warranty or to assume any liability in connection with its products.

Except for warranties of title and the limited express warranties set forth above, PERFORMANCE TOOL® makes no express or implied warranties of any kind with respect to its products. In particular, PERFORMANCE TOOL® makes no implied warranty of merchantability and no implied warranty of fitness for any particular purpose, except that for goods purchased primarily for personal, family or household use and not for commercial or business use, PERFORMANCE TOOL® makes an implied warranty of merchantability (and, if otherwise applicable, an implied warranty of fitness for a particular purpose), but only for the particular qualities or characteristics, and for the duration, expressly warranted above.

The laws on limitation of implied warranties may differ from state to state, so the above limitations may not apply in all cases.

PERFORMANCE TOOL® shall not be liable for consequential, incidental or special damages resulting from or in any manner related to any product, or to the design, use, or any inability to use the product. The sole and exclusive remedy for a defective product or part shall be the repair, or replacement thereof as provided above. The laws on limitation of remedies or on consequential, incidental or special damages may vary from state to state, so the above limitations may not apply in all cases.

© Copyright 2019 WILMAR CORPORATION, P.O. Box 88259 Tukwila, WA 98138

20 GALLON PARTS WASHER

Item Number W54029

OWNER'S MANUAL



WARNING!
READ, UNDERSTAND AND FOLLOW ALL INSTRUCTIONS AND WARNINGS BEFORE OPERATING THIS TOOL. FAILURE TO DO SO MAY RESULT IN PERSONAL INJURY AND/OR PROPERTY DAMAGE AND WILL VOID WARRANTY.
ONLY USE NON-CORROSIVE WATER BASED CLEANING SOLUTIONS, REPLACE WHEN SOLUTION BECOMES DIRTY.

PT
Performance Tool

Performance Tool®

SPECIFICATIONS

Overall dimensions.....	29-1/2 (L) x 21 (W) x 34 in. (H)
Tank dimensions.....	27-1/2 (L) x 19 (W) x 10 in. (H)
Tank capacity	20 GAL (75.7 L)
Cleaning solution capacity	12 GAL (45.4 L)
Pump max. flow rate	190 GPH (719 LPH)
Max output through spigot.....	50 GPH (189 LPH)
Electrical requirements.....	110v/60Hz/0.6A

Technical specifications are subject to change without notice.

WARNINGS

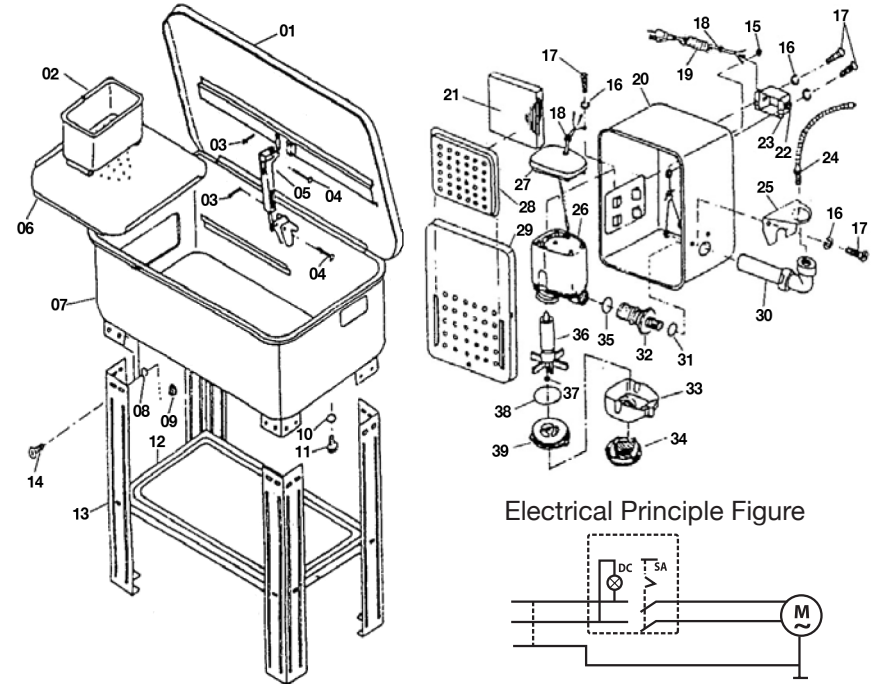
- Do not over fill cleaning solution. Fill to just below level of parts tray
- Do not use any cleaning solution with a flash point below 150°F
- Do not use any highly volatile, flammable or combustible cleaning solutions
- Only use non-corrosive water based cleaning solutions, replace when solution becomes dirty
- Use only in a well ventilated area
- Do not operate near heat sources such as heaters, sparks, open flame, etc
- Use only on grounded 110Volt, 60Hz, outlet
- Should fire occur in parts washer, do not attempt to move parts washer
- Lid is on a fusible link and will fall automatically to extinguish flame
- Do not modify or jam lid to keep lid locked in an open position
- Replace damaged parts immediately
- Always wear eye protection when using tools

TOOLS REQUIRED

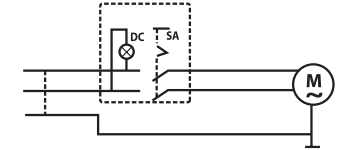
- Phillips or slotted screwdriver
- Adjustable wrench

ASSEMBLY INSTRUCTIONS

1. Remove contents from carton and inspect for any damage.
2. Lay machine on the lid. Place flat on the floor.
3. Mount four legs (13) to bottom of base using Pan Screws (14) and Washers (08) and Nut (09).
4. Mount Shelf (12) to legs (13) using Pan Screws (14) and Washers (08) and Nut (09).
5. Stand machine up (be careful to hold the lid closed).
6. Place work shelf and basket into the machine.
7. Mount pump assembly into slot on the side of the machine. Place filter screen in position.
8. Attach flexible pipe to pump assembly.
9. Plug machine into standard 110Volt/60Hz grounded outlet and fill with proper amount of fluid.



Electrical Principle Figure



EXPANDED PARTS LIST

No.	Description	Qty.	No.	Description	Qty.
1	Lid.....	1	21	Screen	1
2	Work Basket	1	22	Switch.....	1
3	Spring Pin.....	4	23	Switch Box	1
4	Pin	4	24	Flexible Pipe.....	1
5	Safety Plate	1	25	Elbow Seat	1
6	Work Shelf	1	26	Pump Body	1
7	Body	1	27	Pump Back Cover	1
8	Spring Washer.....	24	28	Filter Cover.....	1
9	Nut.....	24	29	Pump Housing Cover....	1
10	O-Ring	1	30	Elbow.....	1
11	Plug	1	31	Plastic Washer.....	1
12	Shelf	1	32	Spigot.....	1
13	Leg	4	33	Location of Knob.....	1
14	Pan Screw	24	34	Filter.....	1
15	Nut.....	5	35	Seal Ring	1
16	Spring Washer.....	5	36	Impeller.....	1
17	Screw	5	37	Shin Washer	1
18	Strain Relief.....	2	38	Seal Ring	1
19	Cable & Plug.....	1	39	Impeller Holder.....	1
20	Pump Housing.....	1			