

# Schedule 40 Rough-In Bath Waste Kit with Quick Test

Job Name	_____
Location	_____
Engineer	_____
Contractor	_____
Tag	_____ PO# _____

### Specifications

- Fits 1-1/2" pipe
- Includes test plug and test membrane
- Compatible with snap-on faceplate
- Drain stopper is not included
- 5-year limited warranty

### Material

- PVC or ABS



### Dimensions and Product Offering

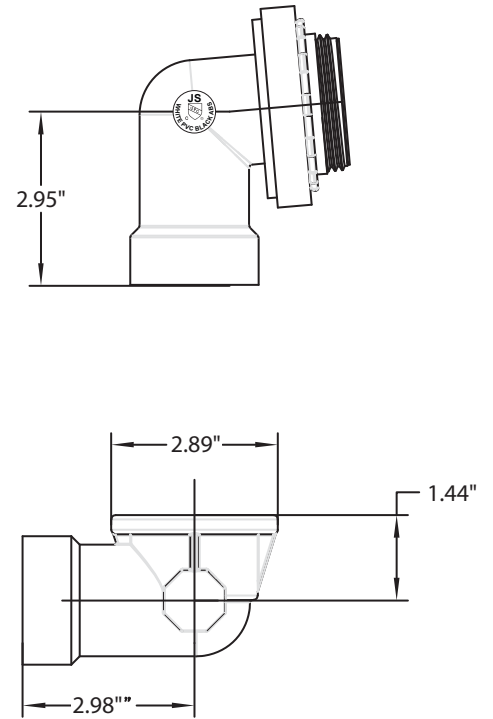
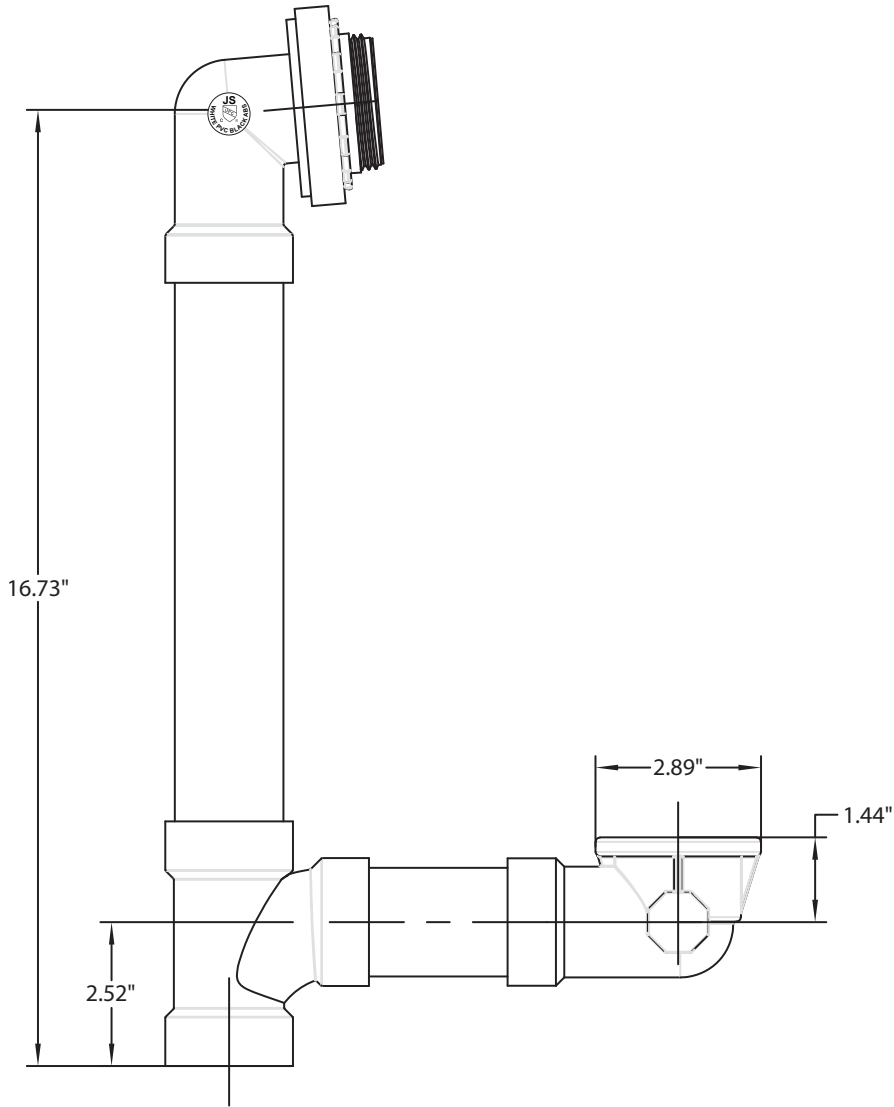
Part Code	Material	Finish	Full Kit	Half Kit	Compatible With:		
					Lift and Turn	Push/Pull	Toe Touch
B0RPZLCP	PVC	Chrome Plated	X		X	X	X
B0RPBPCP	PVC	Chrome Plated	X			X	X
B0HRPZLCP	PVC	Chrome Plated		X	X	X	X
B0HRPZLBN	PVC	Chrome Plated		X	X	X	X
B0HRAZLCP	ABS	Chrome Plated		X	X	X	X
B0HRABPCP	ABS	Chrome Plated		X		X	X

### Certifications/Listings/Approvals

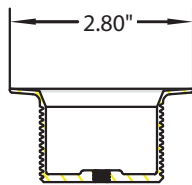
- ASME A112.18.2/CSA B125.2



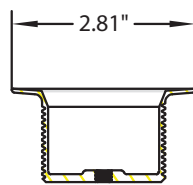
See page 2 for full kit drawing and dimensions.



**Drain Base**



**Push/Pull**



**Lift and Turn**