
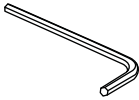
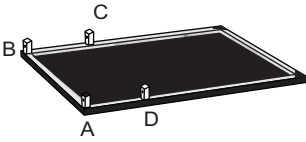
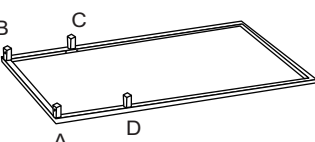
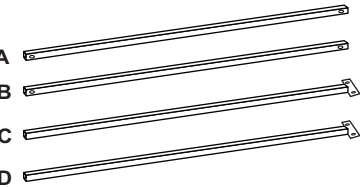
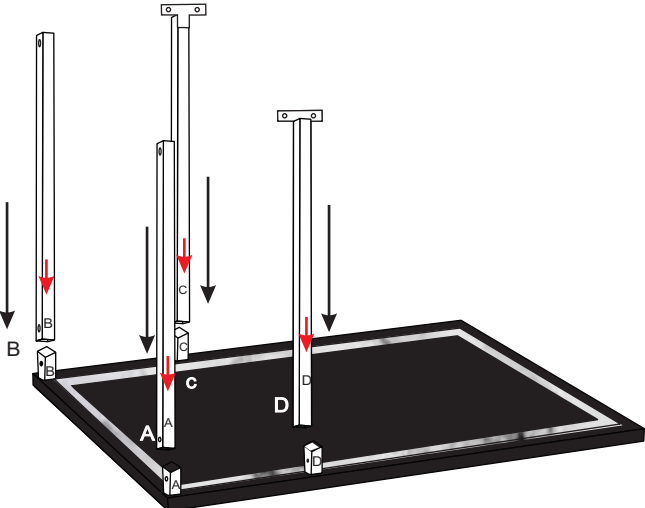


ASSEMBLY INSTRUCTIONS

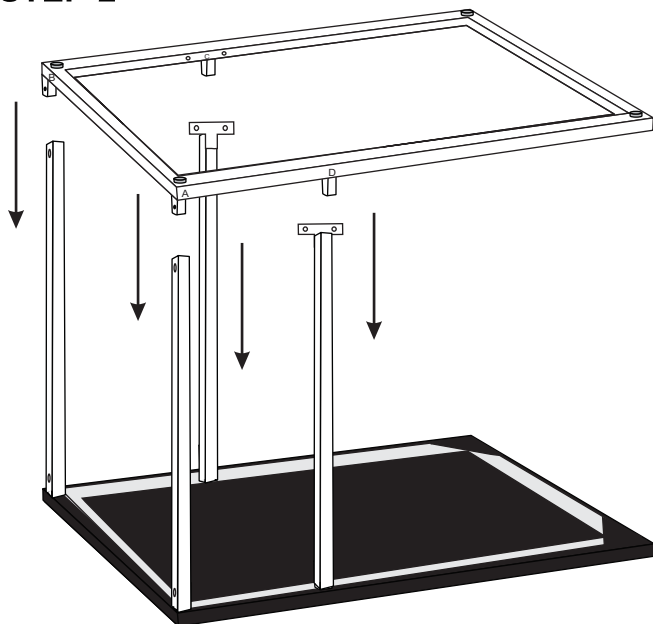
LOCKHARDT METAL C-TABLE

<p>x10</p>  <p>ALLEN SCREWS</p>	<p>x1</p>  <p>ALLEN KEY</p>	 <p>METAL TABLE TOP</p>	 <p>KD METAL BASE OF TABLE</p>	<p>x4</p>  <p>KD METAL BARS</p>
--	--	---	---	--



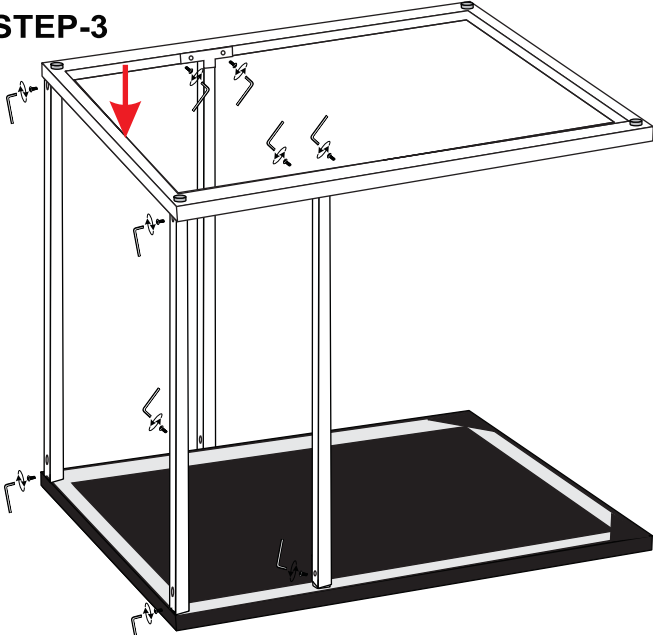
Place top face down on a protective surface and insert metal KD bars considering marking and arrows as shown.

STEP-2



Insert metal base into the metal bars considering marking as shown.

STEP-3



Secure top and base together along with help of Allen screws as shown. Apply downward force (arrow marked) to back of frame to keep parts/assembly square when tightening screws.

Flip the table and use leveling feet, located on bottom of table, to adjust by either turning in/out (arrow).



READY TO USE