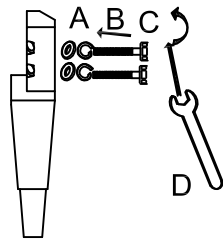
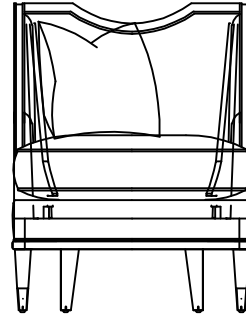
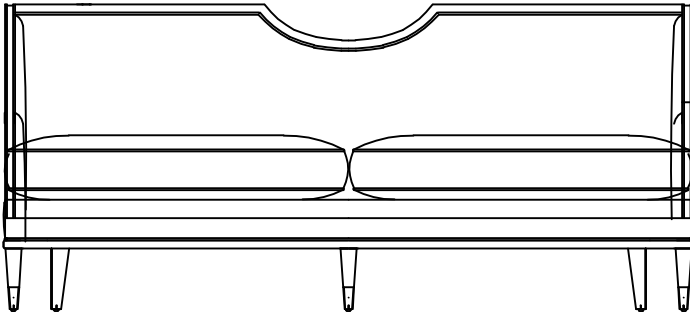


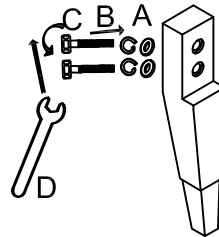
ASSEMBLY INSTRUCTION

161501/161502/161523

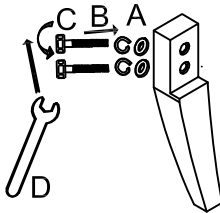
Thank you for purchasing this quality product. Identify and count all parts and compare with the Parts List below.



Front Leg Assy



Middle Leg Assy



Back Leg Assy

Turn product onto back and screw legs into holes provided for them in each corner on bottom of unit.

Hardware List					
	Parts	Spec	Q'ty		
			SOFA	LOVESEAT	CHAIR
A		Ø5/16" Flat Washer	10	10	8
B		Ø5/16" Spring Washer	10	10	8
C		Ø5/16"x60mm Bolt	10	10	8
D		Ø5/16" Wrench	1	1	1

MADE IN CHINA