

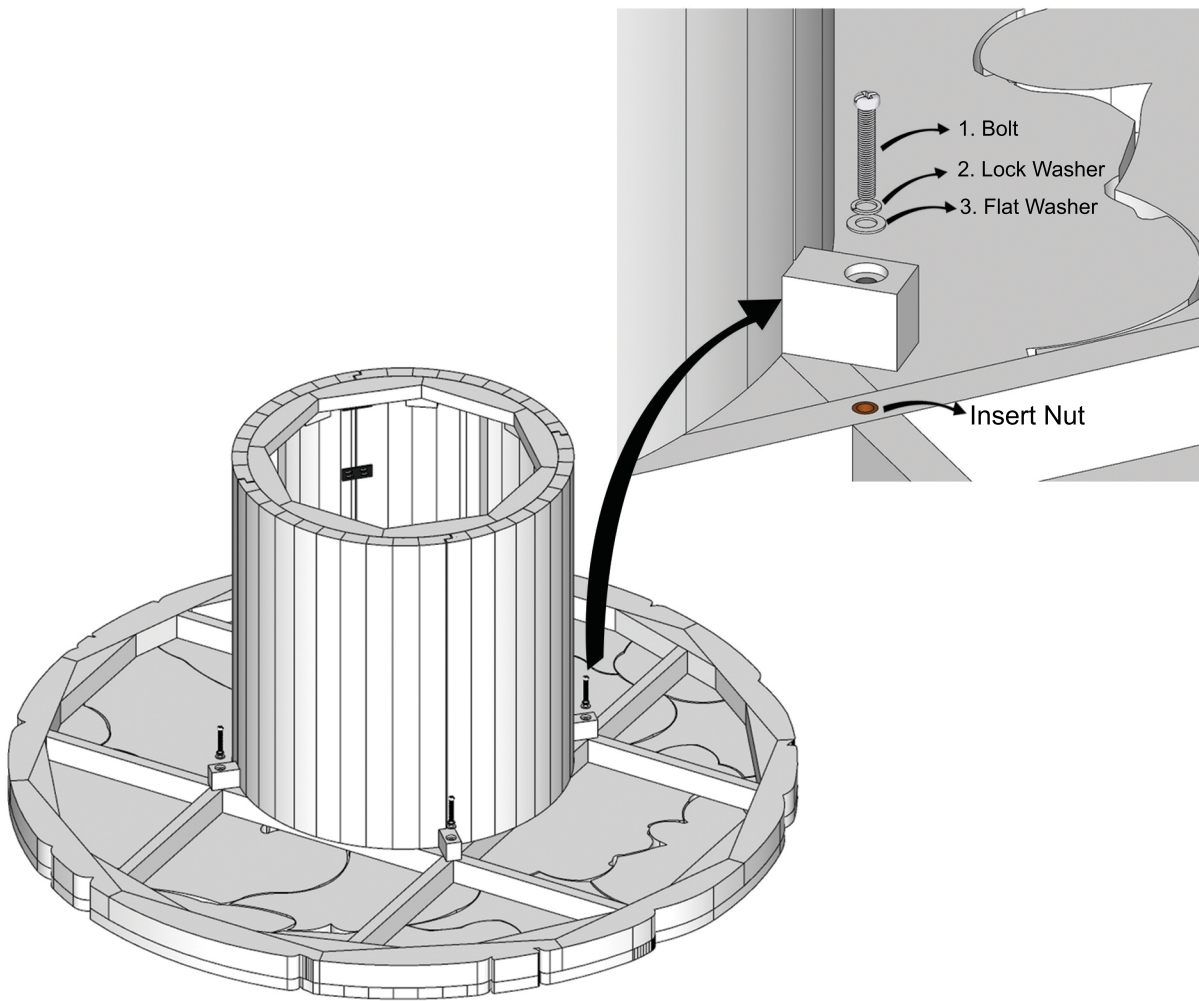
B E R N H A R D T

ASSEMBLY INSTRUCTION FOR X02-272 / -273 CALAVARAS ROUND DINING TABLE




Thank you for purchasing Bernhardt Furniture. Be sure to check all packing materials carefully to ensure proper assembly.

Please read all instructions carefully before starting the assembly process. Some parts are large and heavy and require at least two people to assemble, to prevent possible injury and/or damage to the furniture.

To start, place top upside down on smooth clean surface for assembly.



PARTS LIST

NO.	DRAWING	DESCRIPTION	SIZE	QTY
1.		BOLT	Ø8mm x 2"	4
2.		LOCK WASHER	Ø8mm	4
3.		FLAT WASHER	Ø8mm	4

CLEANING INSTRUCTION

Clean surface with a soft damp cloth, dry immediately.