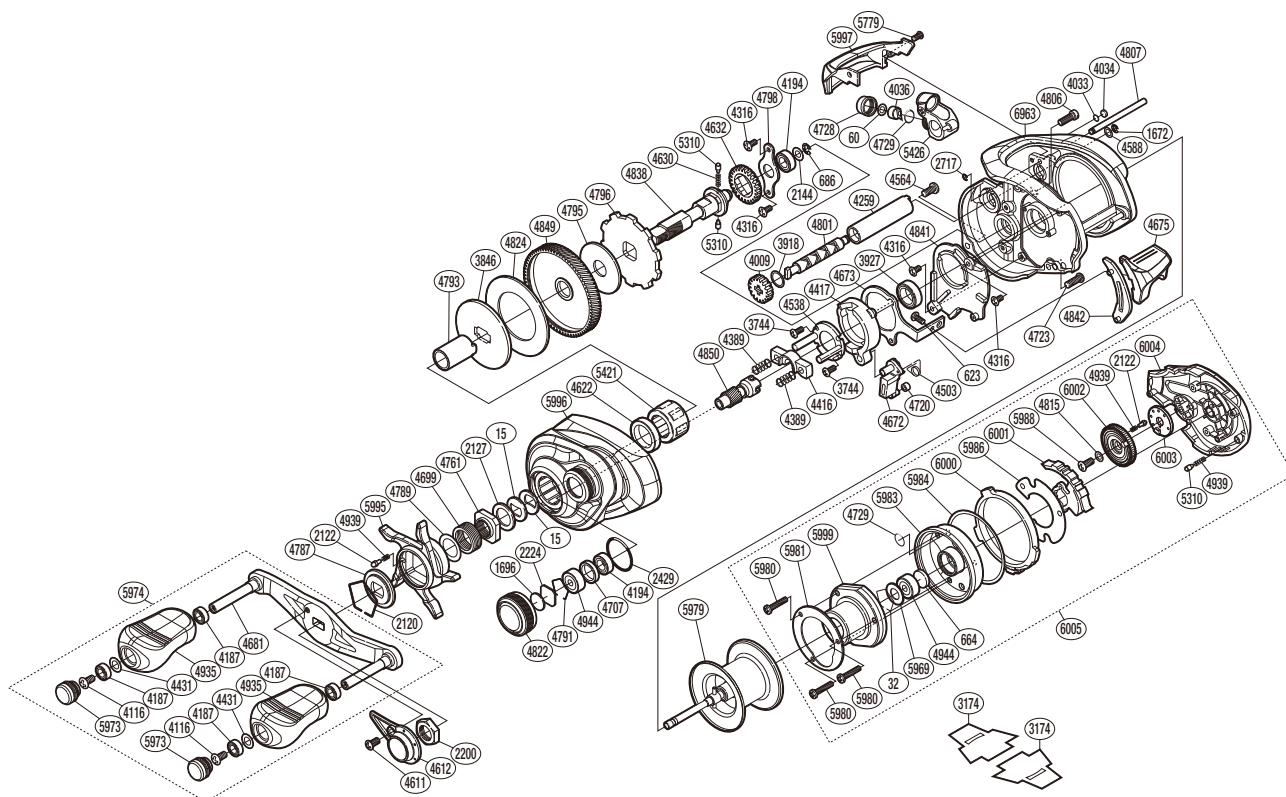


SHIMANO

Metanium DC

META-DC-HGL



(51RL16100X)

#	Part No.	Description	#	Part No.	Description	#	Part No.	Description
0015	10D60	Drag Spring Washer	4538	10F42	Clutch Cam Retainer	4842	1096Z	Clutch Bar Guide
0032	10GEW	Bearing Retainer	4564	10LZD	Screw	4849	10CM5	Drive Gear
0060	10CFW	Spacer	4588	10FJZ	Washer	4850	10CPR	Pinion Gear
0623	103C0	Screw	4611	103EE	Screw	4935	10325	Handle Knob
0664	1057S	Spacer B	4612	10Q5N	Handle Retainer	4939	10988	Click Spring
0686	105NK	E Lock	4622	10L0D	Drive Shaft Holder Bushing	4944	105C4	Ball Bearing
1672	105NC	E Lock	4630	10JDJ	Idle Gear Spring	5310	10HJG	Idle Gear Pin
1696	10896	Cast Control Spacer	4632	10JAG	Idle Gear	5421	10TM8	Roller Clutch Bearing
2120	10KXV	Click Plate Retainer	4672	105ZV	Clutch Pawl	5426	10NYJ	Line Guide Assembly
2122	10BT0	Click Pin	4673	10QGG	Clutch Plate	5779	1055D	Screw
2127	10J1N	Star Drag Spacer	4675	10MWE	Quick-Fire li Clutch Bar	5969	10B94	Bearing Seal
2144	10C47	Drive Shaft Washer	4681	10A6A	Handle Shank Assembly	5973	10FML	Handle Knob Seal
2200	10FSN	Handle Nut	4699	10A71	Star Drag Spring	5974	10BLX	Handle Assembly
2224	1085F	Spool Tension Spacer	4707	10EYU	Bearing Spacer	5979	10L3R	Spool Assembly
2429	108WK	O Ring	4720	1048C	Clutch Pawl Bushing	5980	10LSB	Screw
2717	105NB	E Lock	4723	103CG	Screw	5981	104BA	Substrate Plate
3744	10LVH	Screw	4728	10FJD	Pawl Cap	5983	10ATS	Dial Case
3846	10D3N	Key Washer	4729	108WQ	O Ring	5984	104N5	Washer
3918	10G84	Washer	4761	10A0C	Star Drag Nut	5986	108EY	Washer
3927	10EX8	Ball Bearing	4787	10J1Y	Star Drag Click Plate	5988	10QPU	Screw
4009	10FNZ	Idle Gear	4789	10HHM	Washer	5995	10D6E	Star Drag
4033	108SK	Washer	4791	10GEX	Bearing Retainer	5996	10HY4	Left Side Plate Assembly
4034	108Q2	Anti-Thrust Washer	4793	10CCL	Roller Clutch Inner Tube	5997	10FTT	Level Wind Protector
4036	10FFW	Line Guide Pawl	4795	10CJ1	Drag Washer	5999	10B54	B Side Plate Substrate
4116	103E9	Screw	4796	10D6X	Anti-Reverse Ratchet	6000	10BAX	Side Plate Cam Lever
4187	104VX	Ball Bearing	4798	109T2	Drive Shaft Retainer	6001	10KGW	Magnet Cam Assembly
4194	105BP	Ball Bearing	4801	104T7	Worm Shaft	6002	10EV6	Br Dial Assembly
4259	10NJD	Level Wind Guard	4806	10M2E	Screw	6003	10LD1	Click Ring
4316	10MT2	Screw	4807	10GUE	Level Wind Guide	6004	10HT0	Right Side Plate
4389	104BU	Yoke Spring	4815	10GFB	Washer	6005	10RAG	Right Side Plate Assembly
4416	10471	Yoke	4822	10KDG	Cast Control Cap	6963	100N7	Frame Assembly
4417	10KSC	Clutch Cam	4824	106XS	Drag Washer			
4431	10G8G	Washer	4838	1058H	Drive Shaft			
4503	104CQ	Clutch Pawl Spring	4841	10BVK	Clutch Guard	3174	10PBQ	Reel Seat Spacer (Accessory)

Please note that the number of adjusting washers may not be the same as shown in the exploded views.
(Adjustment will vary with each individual product.)

(240528)_003