



Project _____
 Item # _____
 Quantity _____

SPECTRUM
Commercial Electric
Countertop Immersion Circulator

Model: ESVI-1

Get sous vide cooking with the SPECTRUM IMMERSION CIRCULAR. With precise temperature control and by reducing heat fluctuations, food retains moisture, nutrition, and flavor for perfect results every time.

The adjustable container clamp fits over smooth and rimmed containers (*container sold separately*).

Standard Features

- ◆ Stainless steel and plastic construction
- ◆ Easy to use solid state digital control panel
- ◆ Precise temperature accuracy: +1°F (0.5°C)
- ◆ Maximum volume capacity: 7.9 gallons (30L)
- ◆ Temperature range: 41°F to 210°F (5°-99° C)
- ◆ Timer setting range: 5 minutes – 99 hours
- ◆ LED display: Optional °F / °C, with last temperature and time memory when turned on
- ◆ One year parts and labor warranty

Accessories

ESV-BH	Stainless Steel 3-Ring Bag Holder Stand
ESV-IB	Sous Vide Insulation Balls
EVPM-12	Chamber Vacuum Packaging Machine
PFSH-9	Heavyweight Clear Polycarbonate Half-size Container, 9" deep, 5 Gallon
NSP-10W	10" High Heat Nylon Mixing Paddle (400°F & BPA Free)
NS-12	12" High Heat Nylon Spoon (400°F & BPA Free)



ESV-BH



ESV-IB

Winco®, DWL International Trading, LLC

New Jersey Headquarters:
 65 Industrial Road, Lodi, NJ 07644
 Tel. 1.888.946.2682 | Fax: 1.888.946.2632

California Distribution Center
 14950-14952 Valley View Avenue, La Mirada, CA 90638
 Tel. 1.888.946.2652 | Fax: 1.562.926.5678

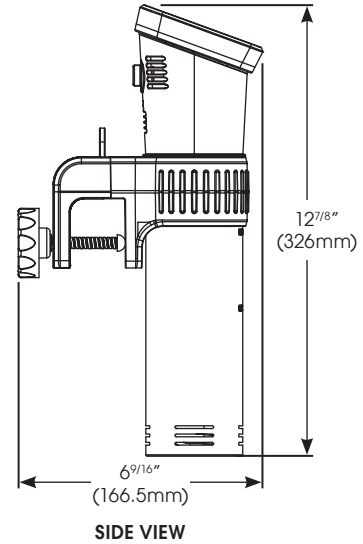
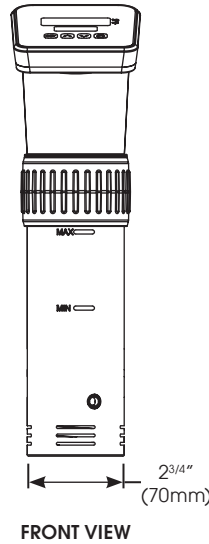
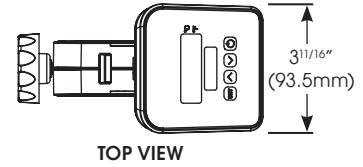
Florida Distribution Center
 10800 NW 103rd St. Bldg 22, Ste 11, Miami, FL 33178
 Tel. 1.786.536.4656

www.wincous.com | equipmentsales@wincous.com



Commercial Electric Countertop Immersion Circulator

Model: ESVI-1



Specifications

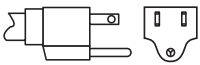
MODEL	DESCRIPTION	OVERALL DIMENSIONS			VOLTS	HZ	WATTS	AMPS	PLUG	SHIP WEIGHT
		LENGTH	DEPTH	HEIGHT						
ESVI-1	Immersion Circulator	3-11/16" (93.5mm)	6-9/16" (166.5mm)	12-7/8" (326mm)	110-120	60	900	7.5	NEMA 5-15P	4.41 lbs (2 kgs)

Cord Location

Back of unit

Plug Configuration

NEMA 5-15P



Product Specs

Spectrum Commercial Electric Immersion Circulator

The Commercial Electric Immersion Circulator model ESVI-1, as manufactured by Winco®, Lodi, NJ 07644.

The ESVI-1 Commercial Electric Immersion Circulator shall be rated at 900 Watts, 110-120V-60Hz, with a maximum volume capacity of 7.9 gallons (30L). The immersion circulator shall be equipped with LED display with optional °F / °C, last temperature and time memory, precise temperature accuracy of +1°F (0.5°C), temperature range of 41°F to 210°F (5°C to 99°C), timer setting range of 5 minutes to 99 hours.

The optional stainless steel 3-Ring Bag Holder Stand (ESV-BH, sold separately) conveniently holds various sizes of vacuum-packing bags open for easy filling.

The optional Insulation Balls (ESV-IB, sold separately) add insulation to any open cooking bath effectively reducing heat loss and evaporation.

ETL listed for safety (Canada & US) and sanitation.

Warranty consists of one year parts and labor.

Winco®, DWL International Trading, LLC

New Jersey Headquarters:
65 Industrial Road, Lodi, NJ 07644
Tel. 1.888.946.2682 | Fax: 1.888.946.2632

California Distribution Center
14950-14952 Valley View Avenue, La Mirada, CA 90638
Tel. 1.888.946.2652 | Fax: 1.562.926.5678

Florida Distribution Center
10800 NW 103rd St. Bldg 22, Ste 11, Miami, FL 33178
Tel. 1.786.536.4656

www.wincous.com | equipsales@wincous.com