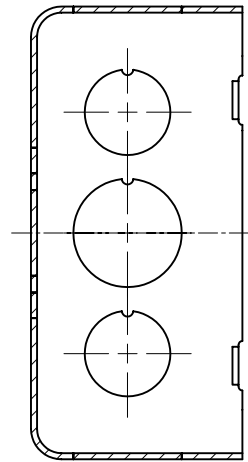
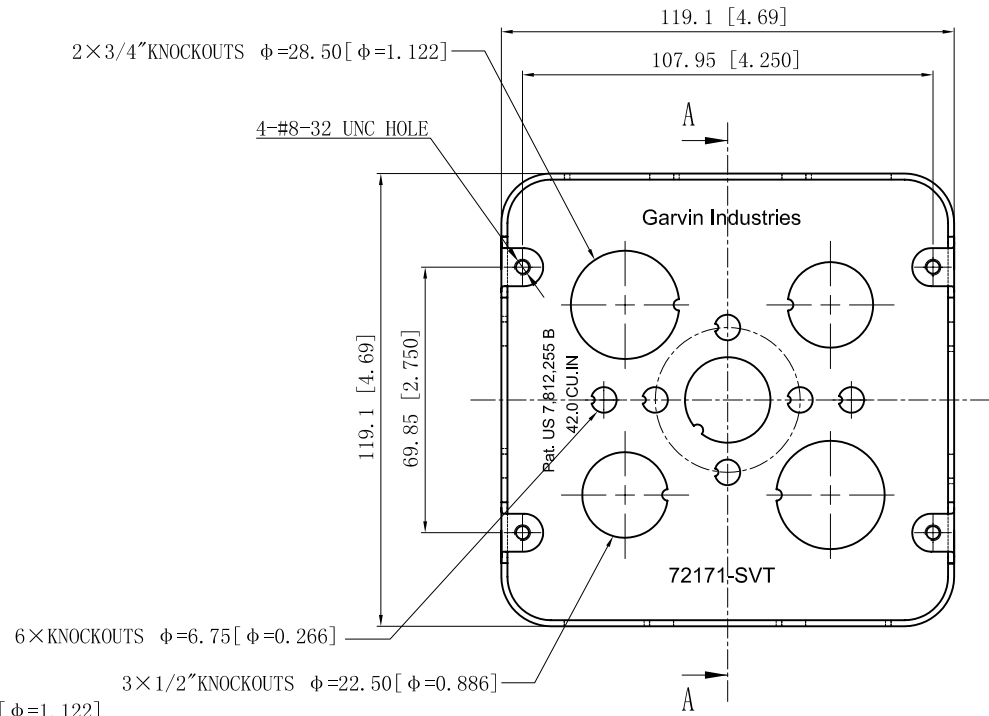
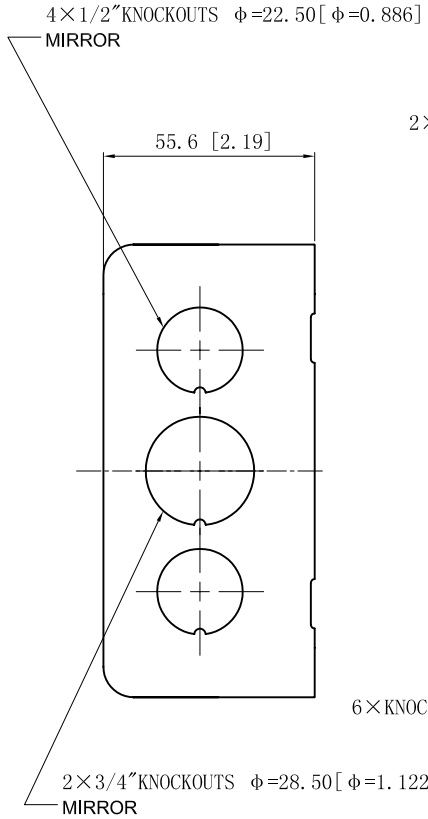
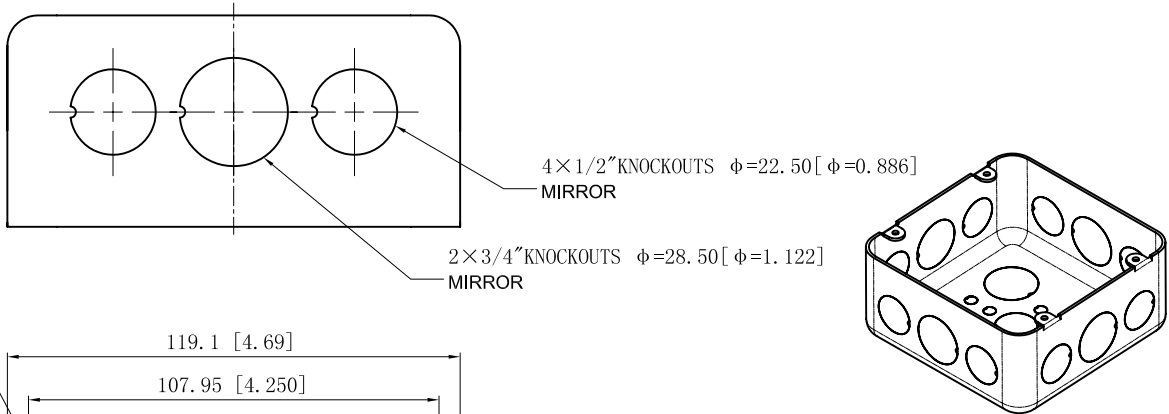


SIDES	BOTTOM
8 1/2" KNOCKOUTS	6 KNOCKOUTS
4 3/4" KNOCKOUTS	3 1/2" KNOCKOUTS
	2 3/4" KNOCKOUTS

Material: Steel-0.0625"-C.R.S., red powder coating



DESCRIPTION
TRADE REFERENCE TERMS

This data sheet is for reference only. GARVIN INDUSTRIES reserves the right to make changes to the design without prior notice.

STANDARD PACKING
25 PCS

GARVIN INDUSTRIES		
TITLE 4-11/16" SQUARE "DRAWN" BOXES (2-1/8" DEEP)		
SIZE A4	DWG NO. 72171-SVTRED	REV
DATA SHEET		