

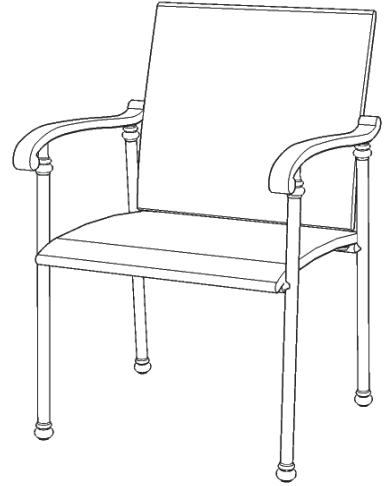
88 5680 80 Arm Chair

IMPORTANT NOTE

Carefully remove all the parts from the carton and put them individually on a soft cloth to prevent scratches or other damage occurring to the parts.

We have taken great care in the design of this product and request that you carefully and strictly follow our assembly instructions to ensure a completed product as it was designed.

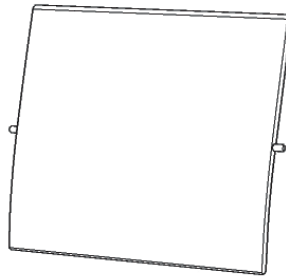
*Home
Styles*



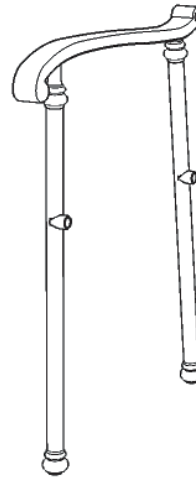
Part List



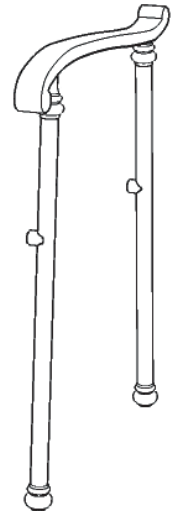
**A.
Seat**
1 pc.



**B.
Back**
1 pc.

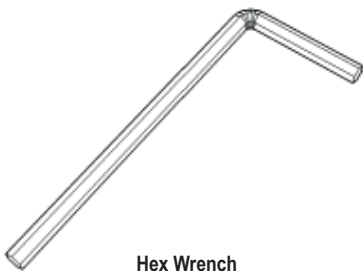


**C.
Leg**
1 pc.



**D.
Leg**
1 pc.

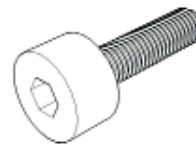
Hardware List



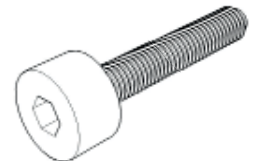
Hex Wrench
1 Pc.



**Small
Hex Wrench**
1 Pc.



**M6x20
Head Cap Bolt (short)**
6 Pcs.(+1 extra)



**M6x25
Head Cap Bolt**
2 Pcs.(+1 extra)

Assembly Instructions 2/2

IMPORTANT

- * Do not tighten all the Head Cap Bolts until each part is properly assembled.
- * You should keep Hex Wrench in a safe place as you may need to tighten up the Head Cap Bolts in the future.
- * Use a soft cloth between these parts and the floor.

STEP 1

Attach Back (B) to Seat (A) with Head Cap Bolts, tightening the bolts only half way.
(See Figure 1)

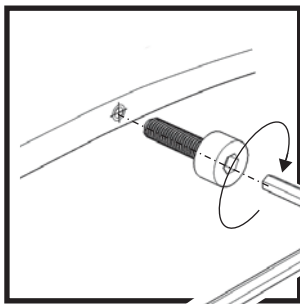
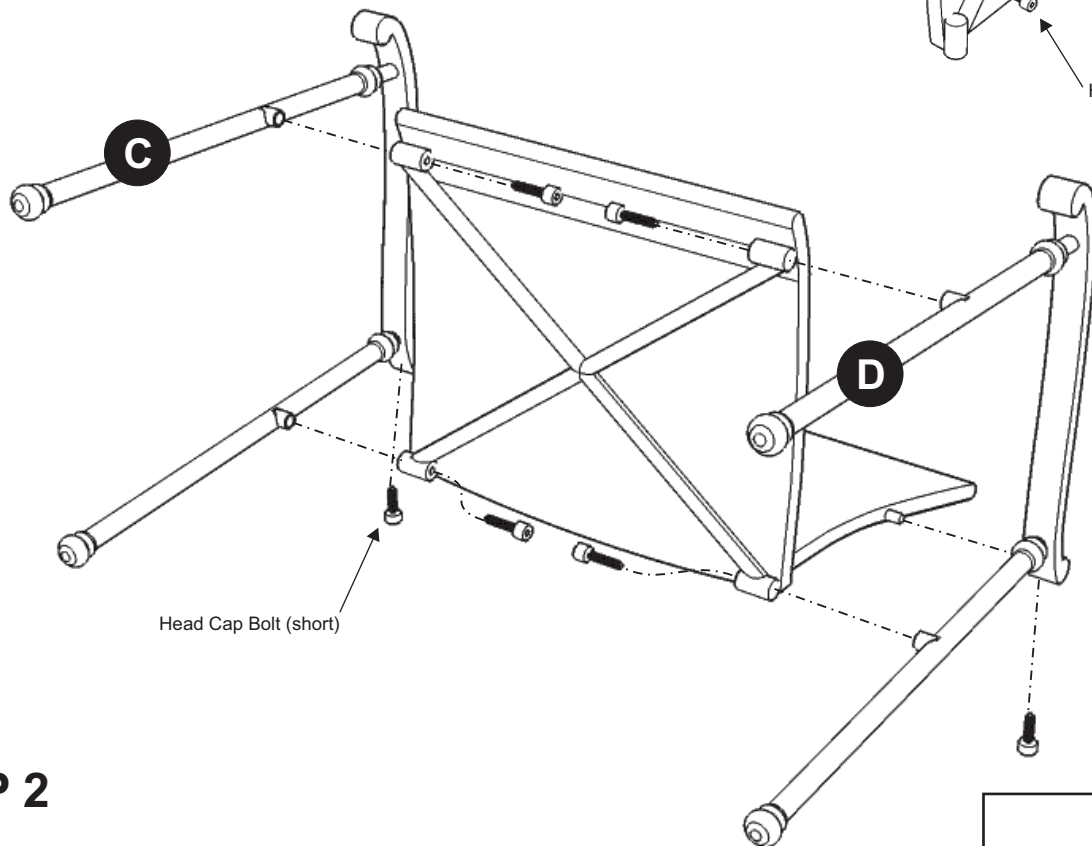
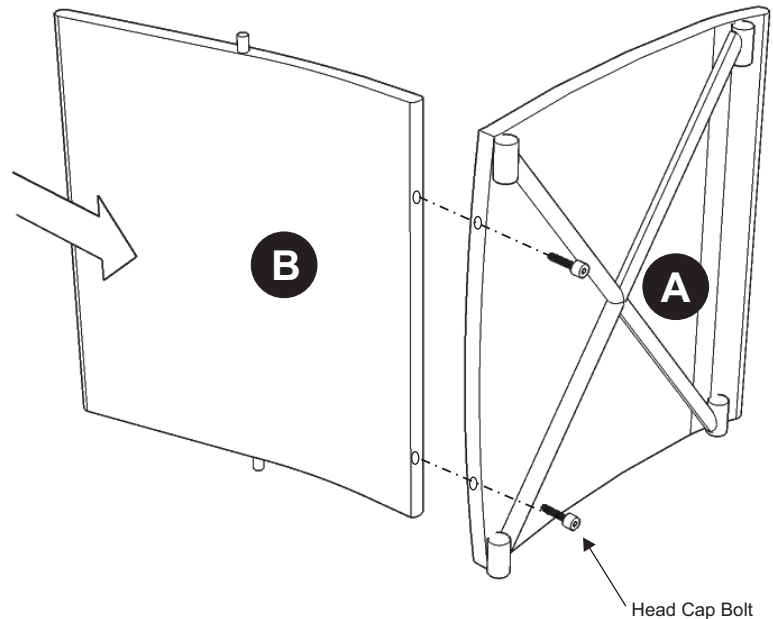


Figure 1



STEP 2

Attach Legs (C) and (D) to unit with Head Cap Bolts (short), tightening the bolts only half way.
(See Figure 2)

Tighten all Head Cap Bolts used in Steps 1 and 2.

Turn unit to its' upright position.

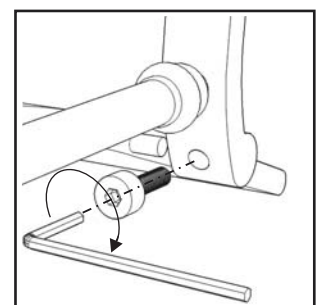


Figure 2