

# F1960 Brass PEX 90° Elbow

Job Name	_____
Location	_____
Engineer	_____
Contractor	_____
Tag	_____ PO# _____

## Specifications

Manufactured to the highest industry standards, Jones Stephens' F1960 lead-free brass cold expansion fittings provide precise, secure, and leak-free connections. Made with DZR brass, F1960 cold expansion fittings are corrosion and chlorine/chemical resistant – making them a great fit for aggressive water environments. Approved for use with PEX-A piping.

## Applications

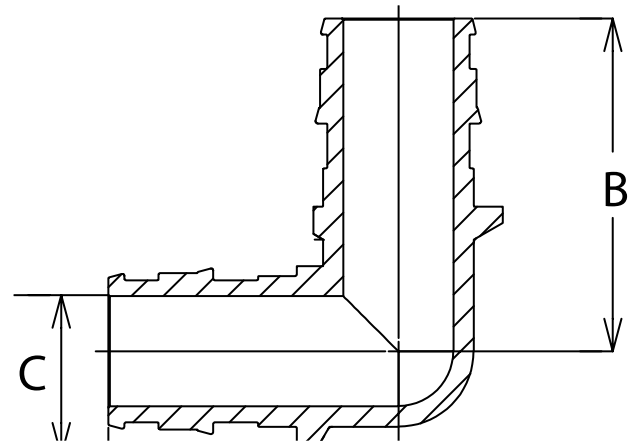
Jones Stephens' F1960 Brass PEX 90° Elbows are approved for use with commercial and residential potable and non-potable water applications.

## Materials

Lead-free DZR brass

## Certifications/Listings/Approvals

- ASTM F1960-2021
- NSF/ANSI/CAN 61-2021
- NSF/ANSI/CAN 372-2022
- NSF/ANSI 14-2015
- CSA B137.5-2020
- Lead Law Compliant



	ID	OD
F1960 Specified Dimensions	in (mm)	in (mm)
1/2" End Connection	.41(10.33)	.61(15.59)
5/8" End Connection	.53(13.40)	.74(18.90)
3/4" End Connection	.62(15.80)	.87(22.10)
1" End Connection	.83(21.00)	1.11(28.10)
1-1/4" End Connection	.80(20.32)	1.36(35.54)
1-1/2" End Connection	1.08(27.43)	1.49(37.85)
2" End Connection	1.56(39.62)	2.08(52.83)

**Dimensions and Product Offering**

PART NO.	SIZE	A - IN (MM)	A TOLERANCE ±IN(MM)	B - IN (MM)	B TOLERANCE ±IN(MM)	C - IN (MM)	C TOLERANCE ±IN(MM)	WEIGHT - LBS (G)	WEIGHT TOLERANCE ±LBS (G)
<b>F76870</b>	0.50"	1.07 (27.10)	0.36 (9.07)	1.22 (31.10)	0.13 (3.39)	0.77 (19.50)	9.068	0.08 (38.10)	0.02 (10.89)
<b>F76871</b>	0.75"	1.40 (35.60)	0.36 (9.07)	1.62 (41.10)	0.13 (3.39)	1.02 (26.00)	9.068	0.15 (70.31)	0.02 (10.89)
<b>F76872</b>	1.00"	1.89 (48.10)	0.36 (9.07)	2.01 (51.10)	0.13 (3.39)	1.36 (34.50)	9.068	0.30 (136.08)	0.02 (10.89)