




ASSEMBLY INSTRUCTIONS

ITEM NO:225219

Parts required

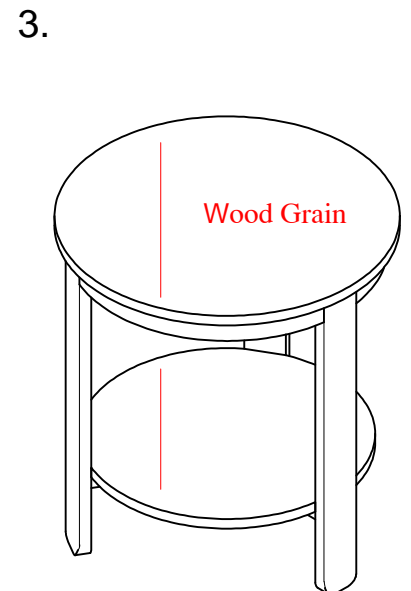
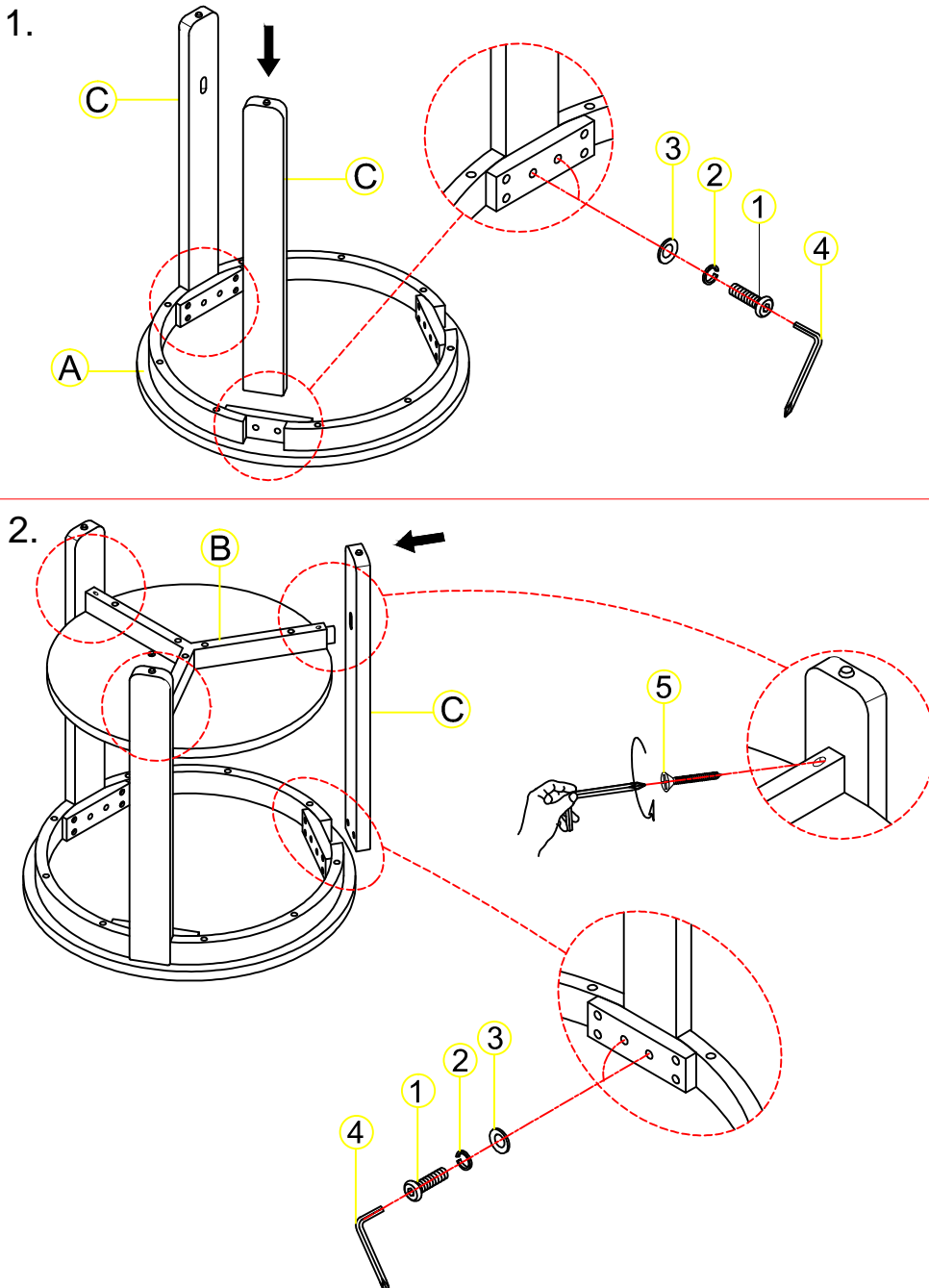
NO	Drawing	Description	Q'TY
1		Bolt $\varnothing 1/4'' \times 45\text{mm}$	6PCS
2		Lock Washer $\varnothing 1/4''$	6PCS
3		Flat Washer $\varnothing 1/4'' \times 16\text{mm}$	6PCS
4		Allen Key 4mm	1PC
5		Screw $\varnothing 8 \times 32\text{mm}$	3PCS

NO	Description	Q'TY
A		1 PC
B		1 PC
C		3 PCS

Do not tighten screws completely until final step.

Ne serrez pas les vis complètement avant la dernière étape.

No ajuste los tornillos a fondo hasta el paso final.



Align wood grain on table top and shelf during assembly