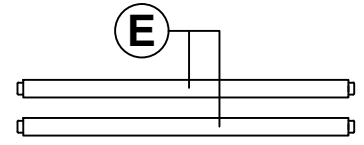
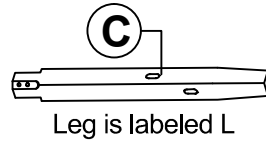
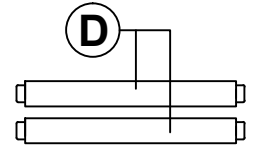
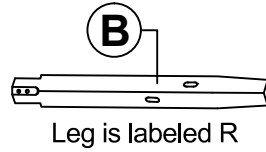
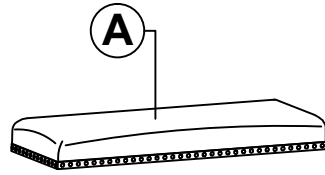


ROUSSEAU COUNTER BENCH ASSEMBLY INSTRUCTIONS



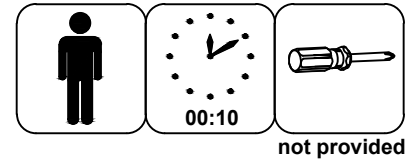
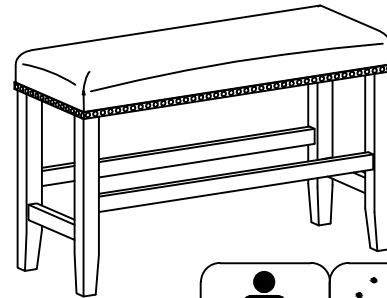
PARTS PACKING CONFIGURATIONS

- A. SEAT 1PC
- B. LEG B 2PCS
- C. LEG C 2PCS
- D. SIDE STRETCHER 2 PCS
- E. FRONT STRETCHER 2 PCS

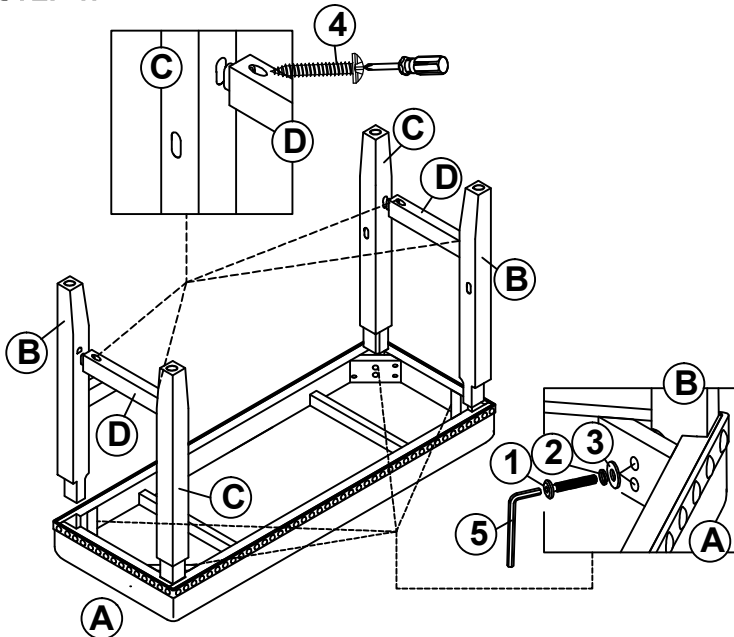


HARDWARE PACKED IN BOX

No.	Description	Image	Quantity
1	ALLEN BOLT (1/4" x 50mm)		8 pcs
2	LOCK WASHER (5/16")		8 pcs
3	FLAT WASHER (5/16")		8 pcs
4	PHILLIPS SCREW		8 pcs
5	ALLEN KEY		1 pc

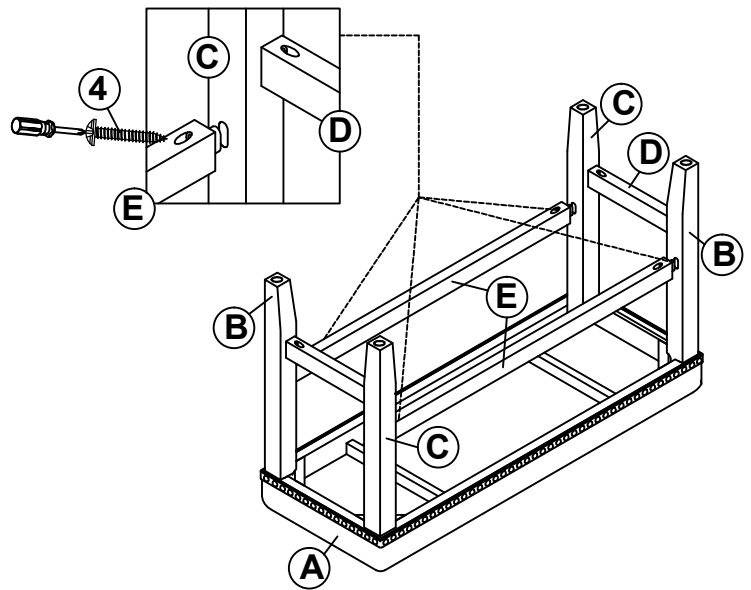


STEP 1:



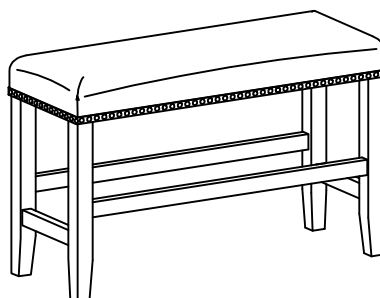
DO NOT FULLY TIGHTEN BOLTS AND SCREWS

STEP 2:



DO NOT FULLY TIGHTEN PHILLIPS HEAD SCREWS

STEP 3: ASSEMBLY COMPLETE



PLACE THE BENCH ON A FLAT SURFACE SO THAT ALL FOUR LEGS ARE TOUCHING THE GROUND. ONCE LEVELED, FULLY TIGHTEN ALL BOLTS & SCREWS FROM THE PREVIOUS STEPS.