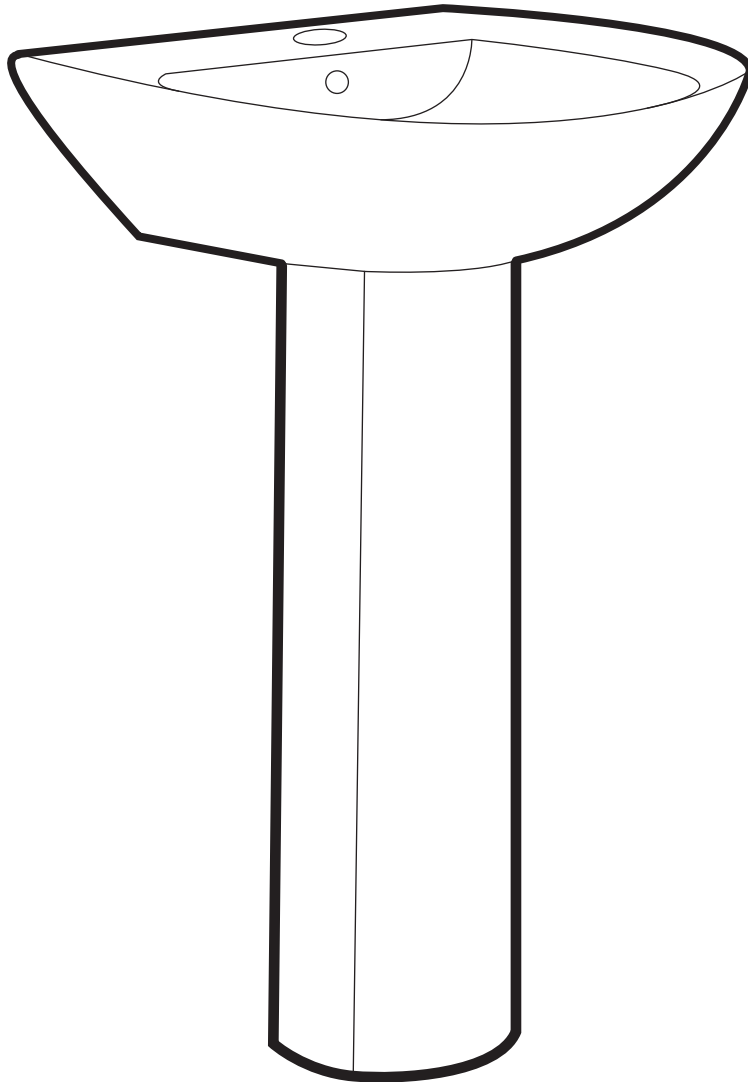


Two-Piece Pedestal Sink

INSTALLATION INSTRUCTIONS





PRIOR TO INSTALLATION:

- Inspect product to ensure no damages have occurred while in shipping.
- Observe all plumbing and building codes in accordance with your state and local requirements.
- All dimensions are nominal! Be sure to measure your sink prior to installation.
- The step-by-step guidelines in the installation instructions are a general reference. Should there be any discrepancies, Swiss Madison cannot be held liable. It is recommended to install all Swiss Madison products by hiring a licensed professional.
- Read installation and maintenance instructions thoroughly before installing. Be sure to use proper tools and always wear proper personal safety accessories for your protection.

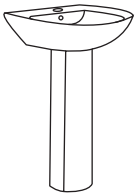
QUESTIONS OR CONCERNS?

Please contact us:

1-434-623-4766

info@swissmadison.com

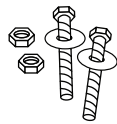
INCLUDED PARTS:



Two-Piece
Pedestal Sink



Anchors

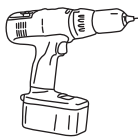


Bolts

SUGGESTED TOOLS & MATERIALS:



Safety
Glasses



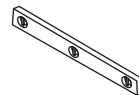
Drill



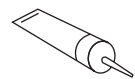
Wrench



Caulk



Level

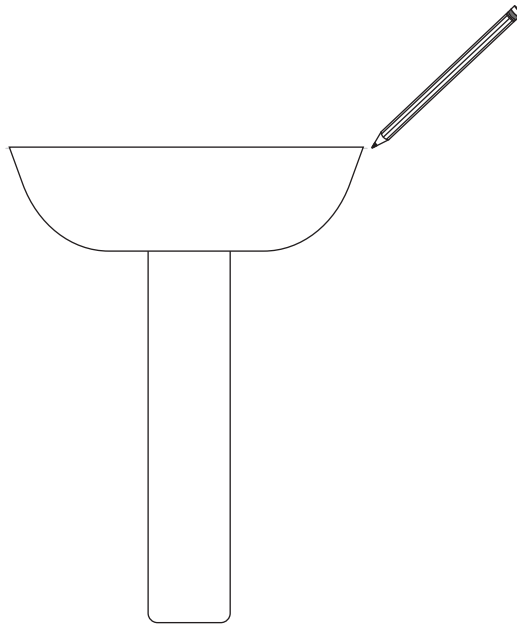


Adhesive

INSTALLATION:

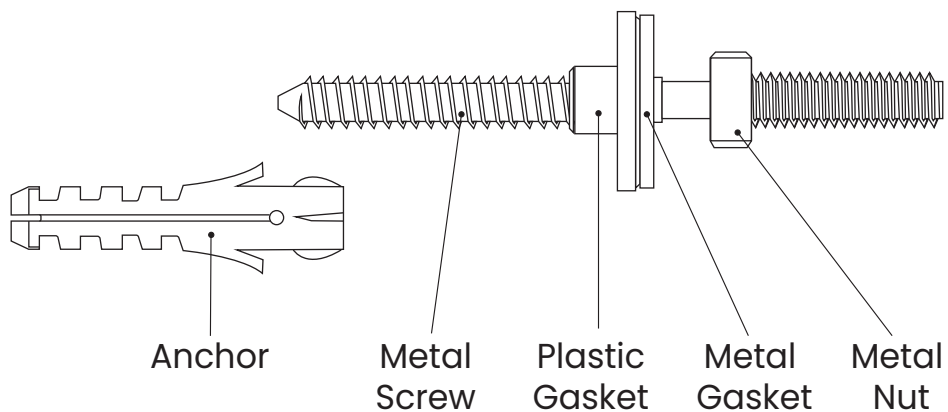
1 Mark Height

- Place your sink against the wall in its final location.
- Using a pencil, mark the sink's height on the wall.



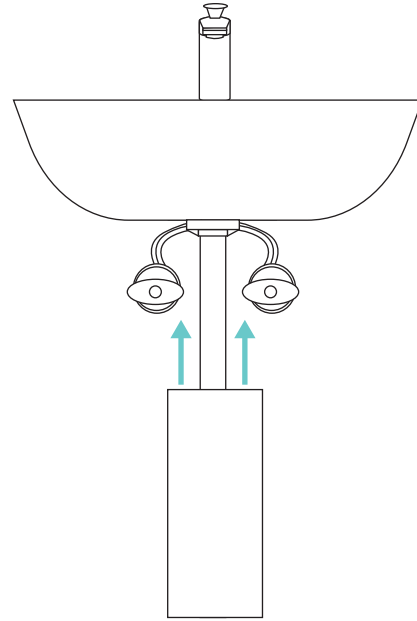
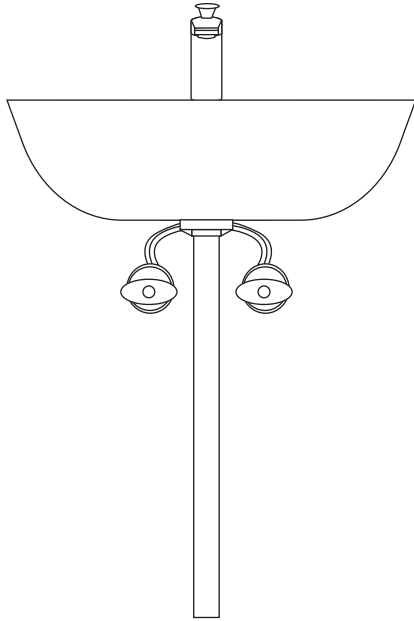
2 Mount Sink

- Put sink back in position and mark where to install mounting hardware.
- Follow steps below to mount the sink to the wall:



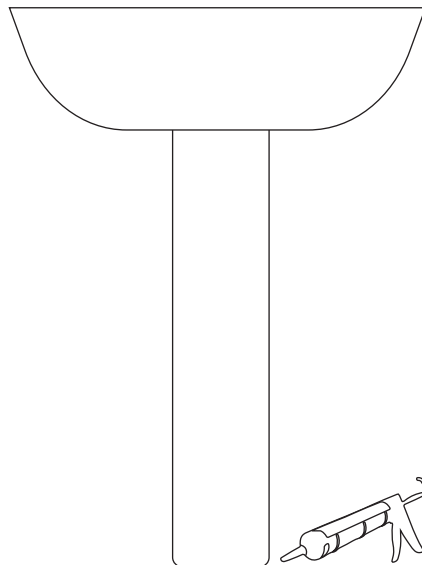
3 Attach Plumbing and Install Pedestal

- Set sink into the mounting bracket.
- Install faucet, most of trap, and connect supply lines.
- Slide pedestal into place.



4 Secure Into Place

- Caulk the sink to the floor with silicone or sealant.
- Do not use sink until 24 hours after sealing.



ONE-YEAR LIMITED WARRANTY

Swiss Madison® products are made with quality materials and excellent craftsmanship to provide our customers with beautiful, durable, long-lasting products. Should there be any defects in materials or craftsmanship under regular use that are discovered within the first year after delivery, Swiss Madison® will provide replacement parts at no charge, or at its discretion, replace any product or part of the product that is deemed defective, under normal installation, use, service or maintenance. This warranty applies only to the original purchaser. Proof of purchase must be submitted with any warranty claim.

Swiss Madison® recommends that all installations of Swiss Madison® products to be conducted by a licensed plumber or contractor. Swiss Madison® will not be held responsible for any damage or product failure due to improper installation, misuse, or failure to utilize a licensed plumber or contractor for installation. Swiss Madison® is not responsible for any installation or removal costs.

THIS ONE-YEAR LIMITED WARRANTY WILL BE VOIDED IF:

- The installation instructions were not followed by the installer
- The product has been moved from its initial place of installation
- The product has in any way been modified from its original condition
- The product has been subjected to improper maintenance, abuse, misuse, excessive use of chemicals, accidents, or other damages

Swiss Madison® makes no warranty that its products comply with any local building or plumbing codes. It is the consumer's responsibility and obligation to determine local code compliance prior to and during installation.

Swiss Madison® is not responsible for any special, incidental or consequential damages associated with the installation, replacement, return or use of the original purchaser's product. This includes, but is not limited to: freight costs, labor, travel time, lost profit, home damages and other contingent liabilities and costs (including, without limitation, costs associated with 'professionals' or 'experts', investigations, audits, analyses, attorneys and any other professional/hired services). Some states do not allow the exclusion or limitation of incidental or consequential damages, so the above limitation or exclusion may not apply to you.

The Swiss Madison® warranty is a comprehensive and explicit limit of liability. All other warranties are hereby disclaimed and waived.

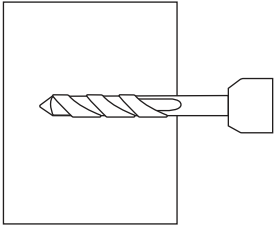
QUESTIONS OR CONCERNS? Please contact us directly at: 1-434-MADISON (623-4766)



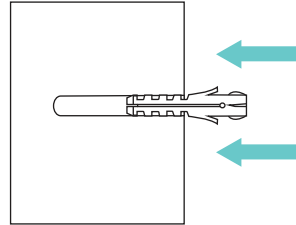
WARNING:

Contents of your order may contain sharp and possibly other harmful pieces and may cause hazard to children and adults. Swiss Madison® is not responsible in any way for personal injuries or damages.

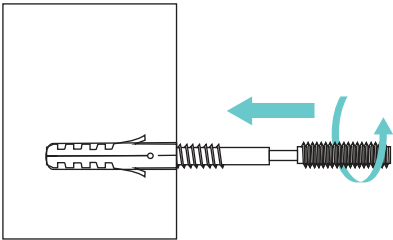
1. Drill two holes in the required position on the wall using a 14 mm masonry drill bit, to a depth of 75 mm.



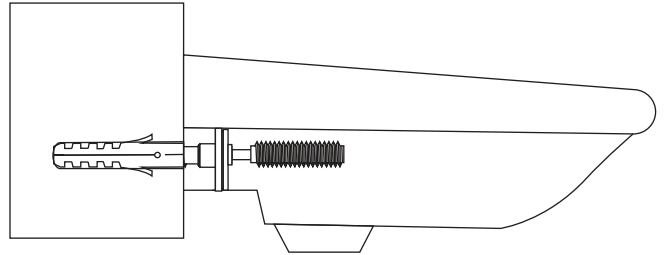
2. Push an anchor into each hole.



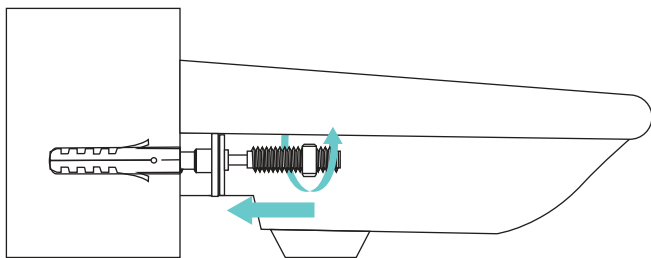
3. Screw a fixing bolt into each fixing plug using a 8 mm spanner until the spanner contacts the wall.



4. Place the basin in position against the wall. Locating the fixing bolts through the holes in the rear of the basin. Push a plastic washer followed by a metal washer, onto each fixing bolt.



5. Screw metal nut onto each fixing bolt to secure the basin. Do not overtighten, as this may damage the ceramic.



6. Ensure sink is secure, tighten bolts if necessary.

