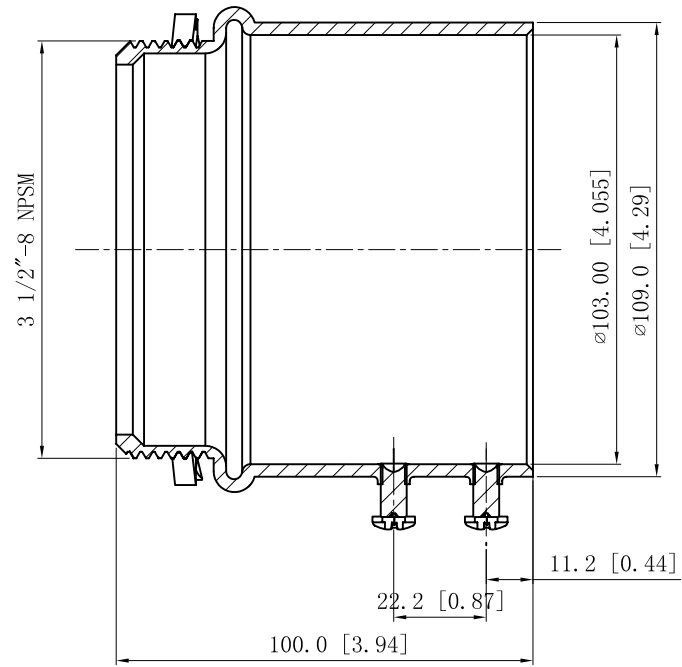
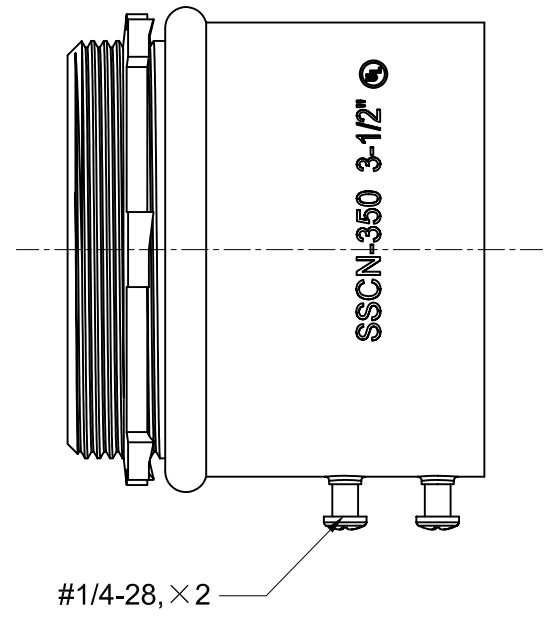
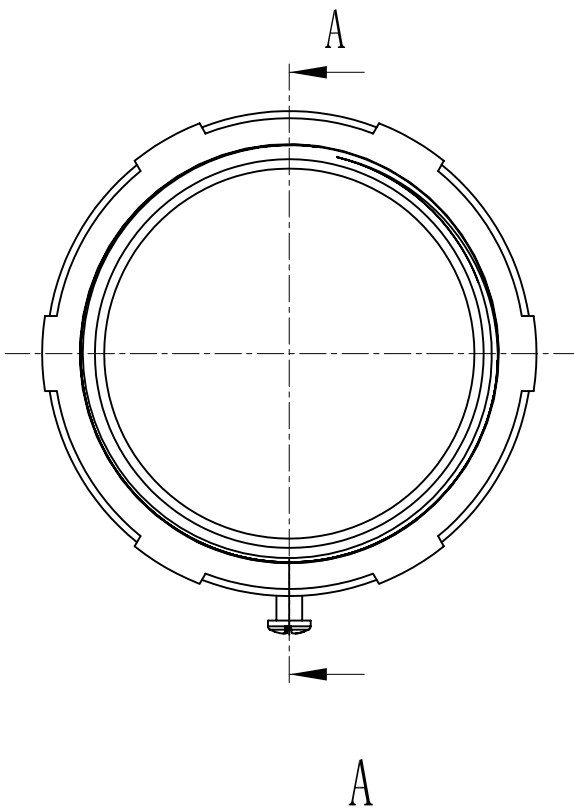


SIDES	BOTTOM
2 pcs #1/4-28×1/2 Screws Installed	
Material:Steel-Welding tube, zinc plated	



CUTAWAY VIEW A-A



This data sheet is for reference only .GARVIN INDUSTRIES reserves the right to make changes to the design without prior notice.

DESCRIPTION
TRADE REFERENCE TERMS

STANDARD PACKING
5 PCS

GARVIN INDUSTRIES		
TITLE STEEL EMT SET SCREW CONNECTORS		
SIZE A4	DWG NO. SSCN-350	REV A
DATA SHEET		