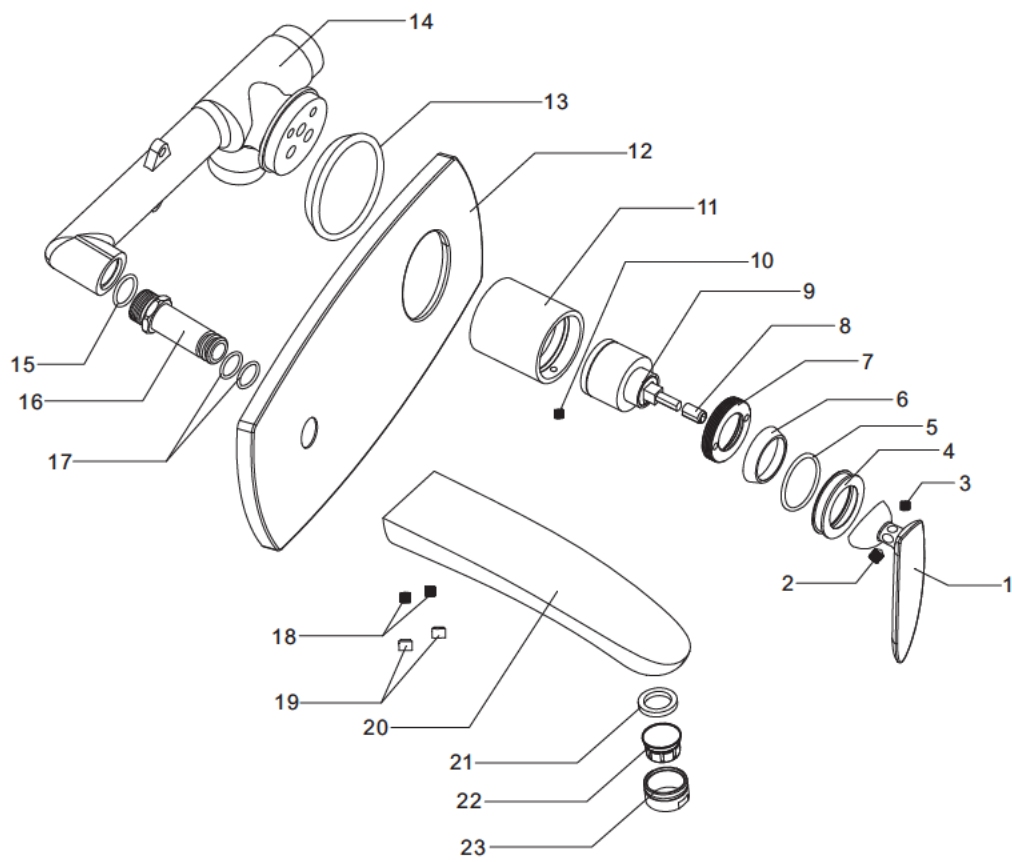


### Step 3 Cleaning and care

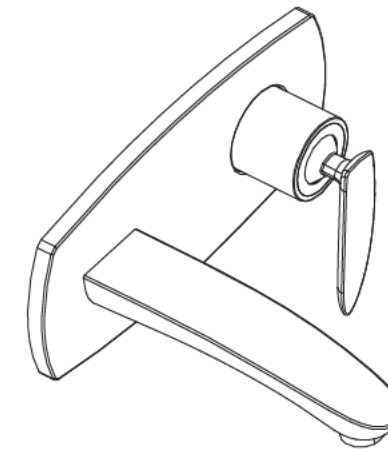
Daily cleaning and care are required in order to keep the product shining and properly working.

- 1 Clean it with water and dry it with soft cloth.
- 2 Clean the product with gentle liquid or glass cleaner.
- 3 Don't use acid cleaner.
- 4 Don't clean with abrasive material, abrasive paper or knife.

### Step 4 Parts list



NO.	PART NAME
1	Handle
2	Screw
3	Screw
4	Cover
5	O ring
6	Trim cap
7	Cartridge lock nut
8	Cartridge adapter
9	Cartridge
10	Screw
11	Sleeve
12	Plate
13	Washer
14	Body
15	O ring
16	Connector
17	O ring
18	Screw
19	Index
20	Spout
21	Aerator washer
22	Aerator core
23	Aerator collar

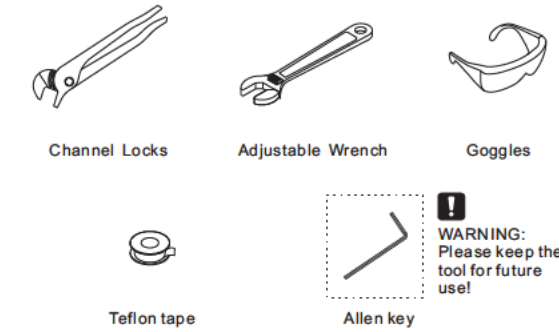


### SINGLE HANDLE WALL-MOUNTED LAVATORY FAUCET



ASME A112.18.1/CSAB125.1

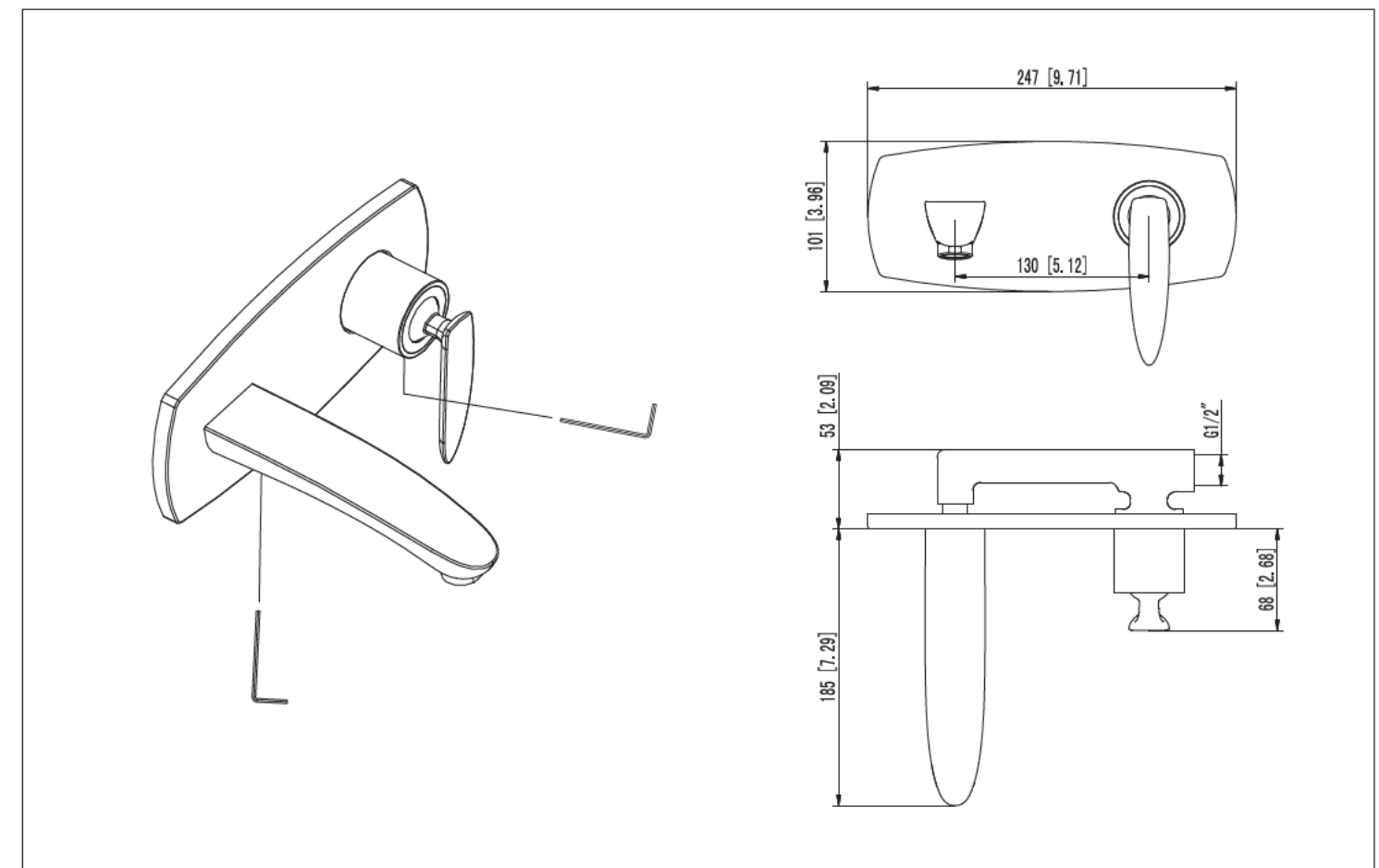
#### RECOMMENDED TOOLS



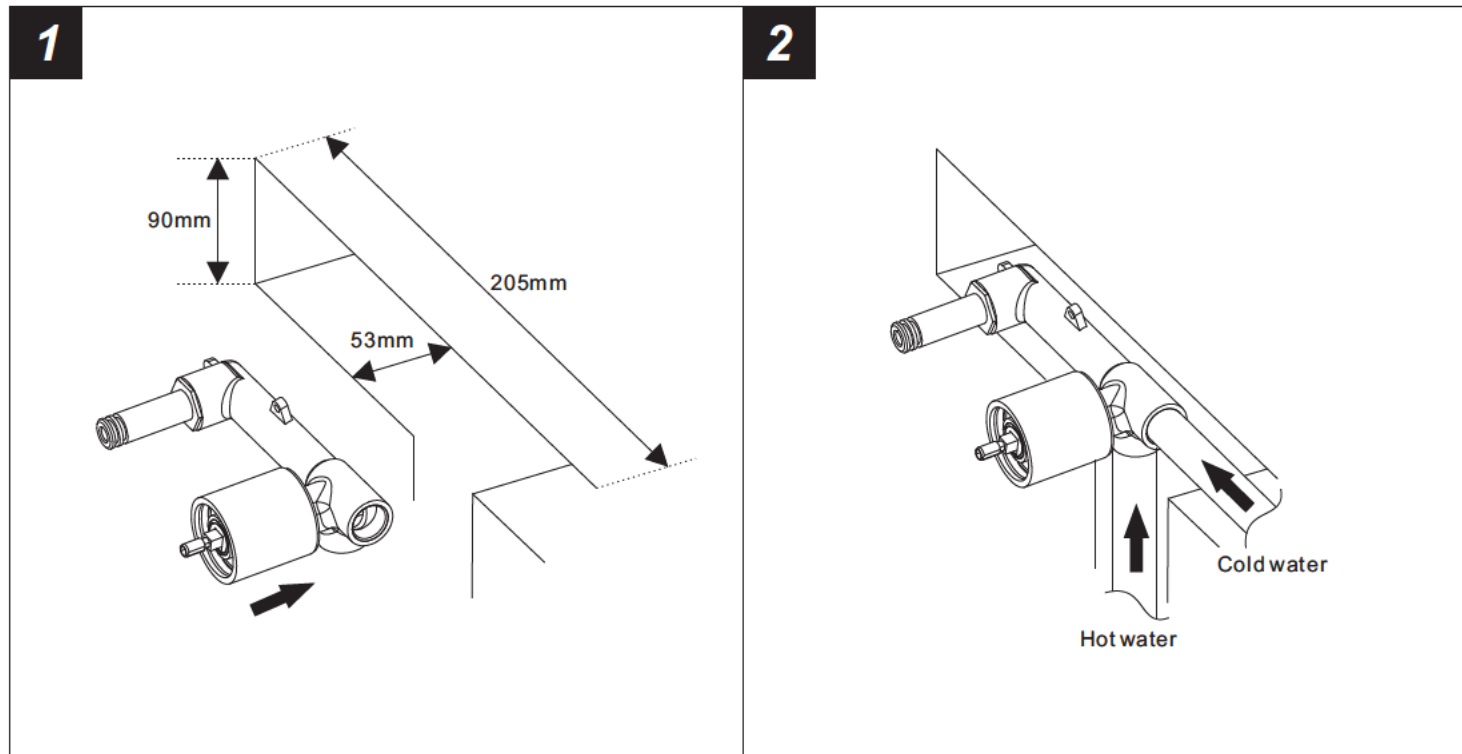
**WARNING:**  
Please keep the tool for future use!

- Attention:**  
for easy installation, you will need:
1. To read all the installation instruction completely before beginning.
  2. To read all the warning, attention and maintenance information.
  3. To purchase the proper supply lines.

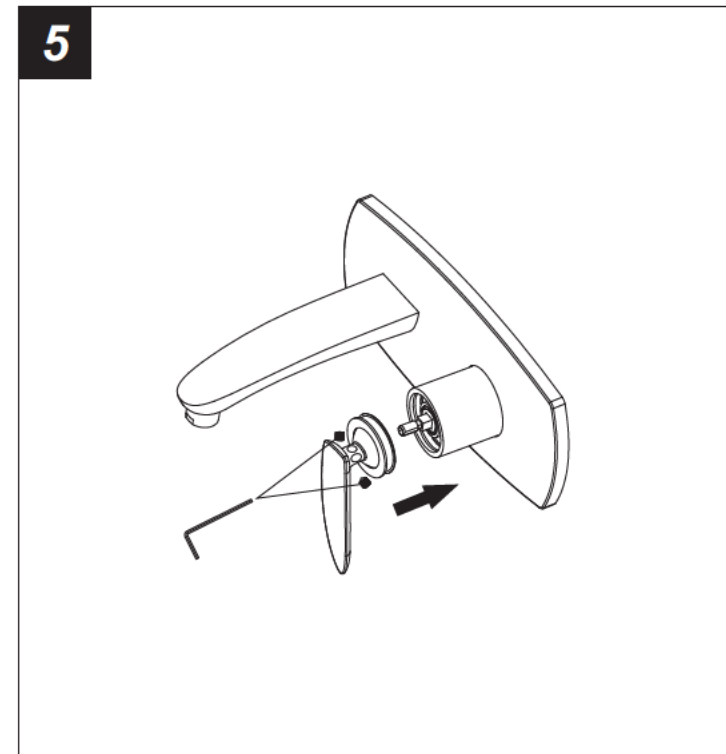
#### The tools might be applied to the following places:



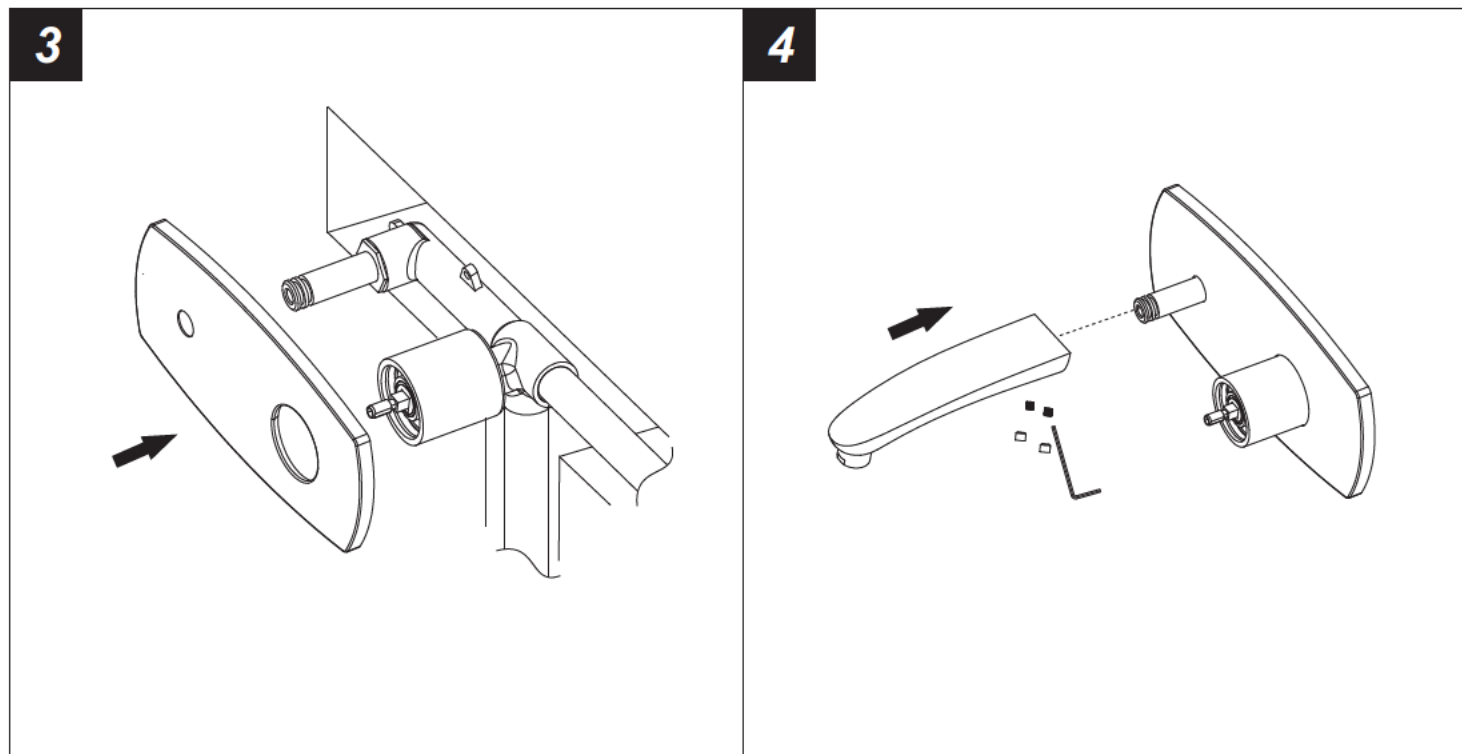
## Step 1 Faucet installation



1. Put the body into the hole of wall.
2. Connect body with inlet pipes. Please ref. to the above picture of cold and hot water connection way.

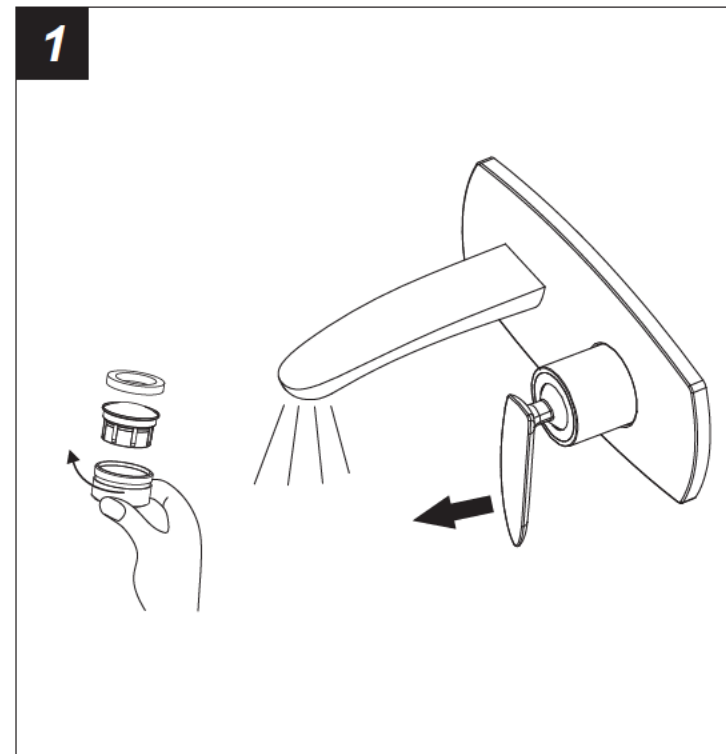


5. Assemble handle assembly to cartridge and fix screw by allen key.



3. Assemble plate to body.
4. Assemble spout to connector. Fix screw to spout by allen key and put the index.

## Step 2 Checking



1. Remove the aerator by hand. Turn the faucet handle all the way on, turn on hot and cold water supply and flush water lines for one minute. Reinstall aerator by hand.