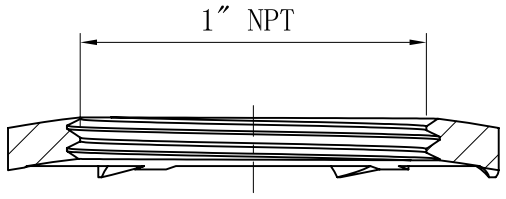
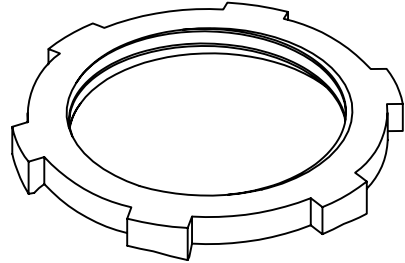
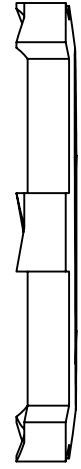
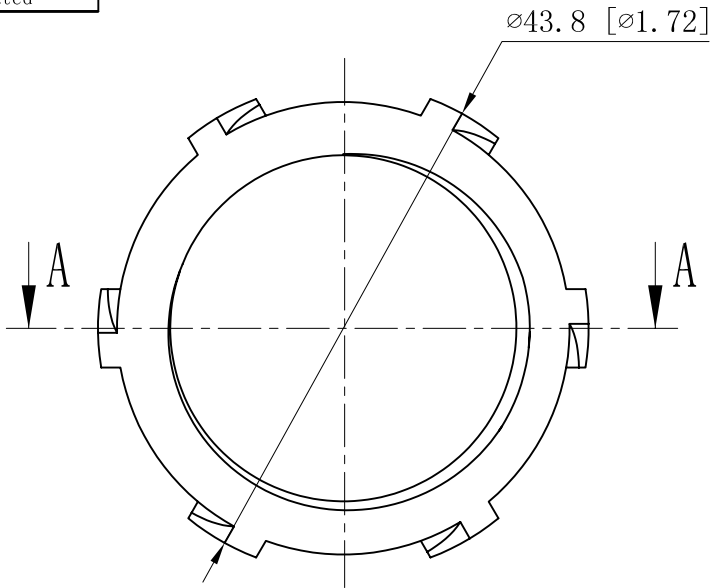


| | |
|---|--------|
| SIDES | BOTTOM |
| | |
| | |
| Material: Steel-0.150"-C1008~C1018, Zinc plated | |



CUTAWAY VIEW A-A

This data sheet is for reference only .GARVIN INDUSTRIES reserves the right to make changes to the design without prior notice.

| |
|-----------------------|
| DESCRIPTION |
| |
| |
| TRADE REFERENCE TERMS |
| |

| |
|------------------|
| STANDARD PACKING |
| 50 PCS |

| | | |
|--------------------------|-------------------|-----|
| GARVIN INDUSTRIES | | |
| TITLE STEEL LOCKNUTS | | |
| SIZE A4 | DWG NO. LN-100 | REV |
| DATA SHEET | | |