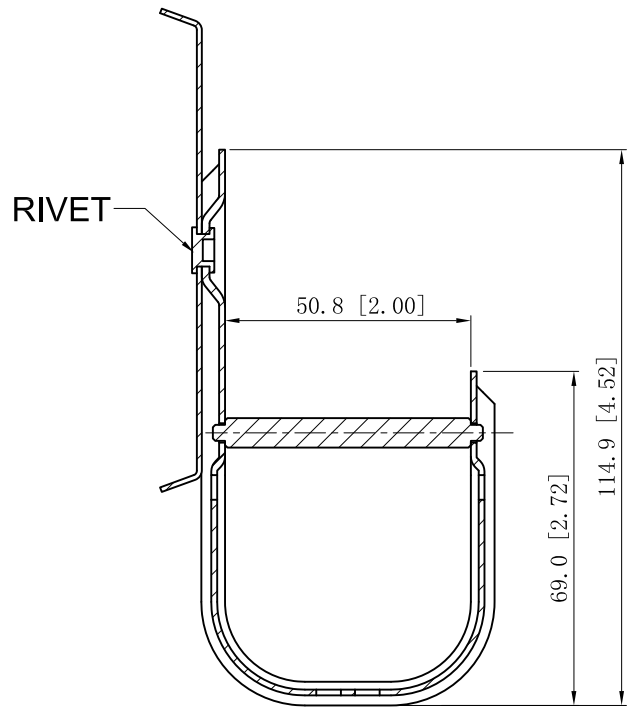
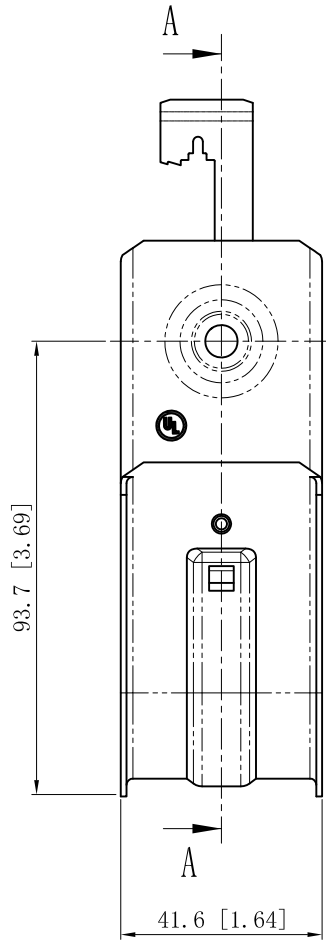
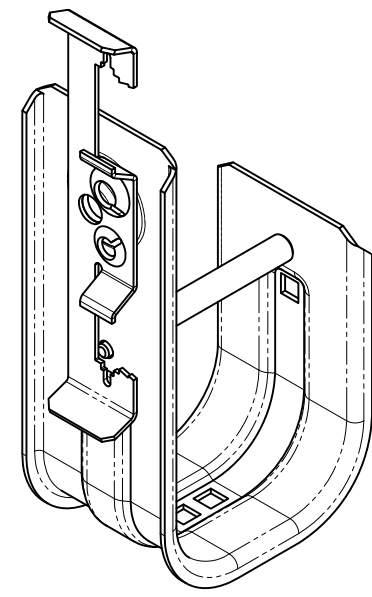


SIDES	BOTTOM
Material: Steel-0.047"-G60 Galvanized	



CUTAWAY VIEW A-A



This data sheet is for reference only .GARVIN INDUSTRIES reserves the right to make changes to the design without prior notice.

DESCRIPTION
TRADE REFERENCE TERMS

STANDARD PACKING
50 PCS

TITLE			GARVIN INDUSTRIES		
J-HOOKS WITH QUICK CLIPS					
SIZE	DWG NO.			REV	
A4	JHK-32-BW2	DATA SHEET		D	