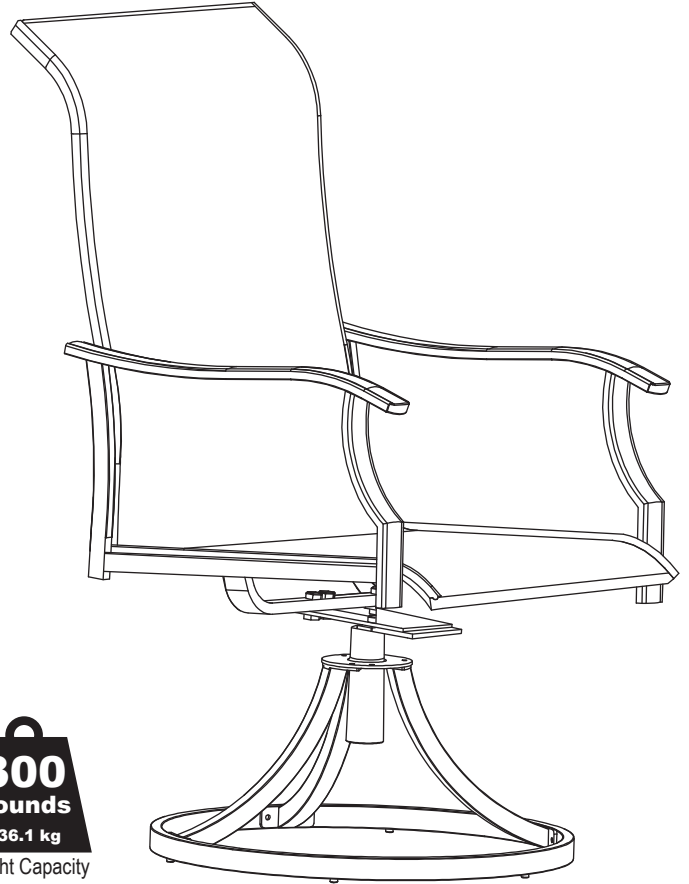
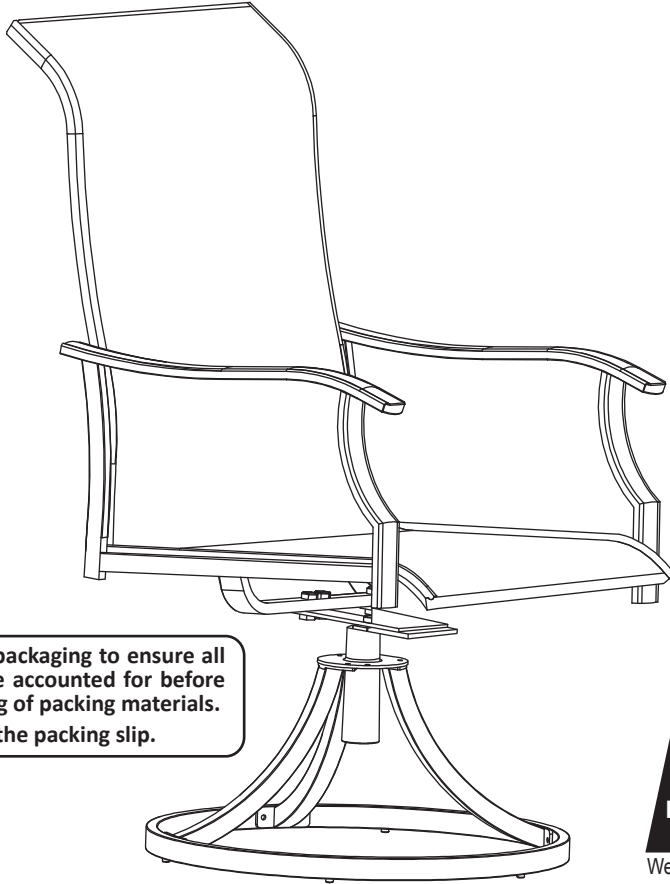




# HIGH BACK SWIVEL PATIO CHAIRS


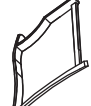




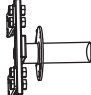

## DL-936










Review all assembly and care information before using this product. Save this manual for future reference.  
**Assemble components on a soft, clean surface to avoid damaging the finish.**


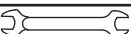


 Inspect packaging to ensure all parts are accounted for before disposing of packing materials.  
 Save the packing slip.

**300**  
pounds  
136.1 kg  
Weight Capacity

No.	PARTS	QTY.
AL	 Left Arm	2
AR	 Right Arm	2
B	 Backrest	2
C	 Seat	2
D	 Base Brace	6
E	 Base Ring	2
F	 Swivel Mechanism	2
G	 Mount Plate	4

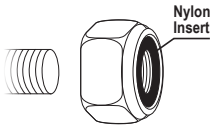
No.	HARDWARE	QTY.
H	 M6x15mm Bolt	12
I	 M6x30mm Bolt	16
J	 M8x30mm Bolt	8
K	 M6x18mm Bolt	12
L	 M6 Washer	40
M	 M8 Washer	8
N	 M8 Split Washer	8
O	 M6 Lock Nut	12
P	 M8 Lock Nut	8

INCLUDED TOOLS	
	Hex Key
	Wrench x2



**⚠ WARNING ⚠**  
**CHOKING HAZARD** — This item contains small parts that can be swallowed. Keep children and pets away during assembly.

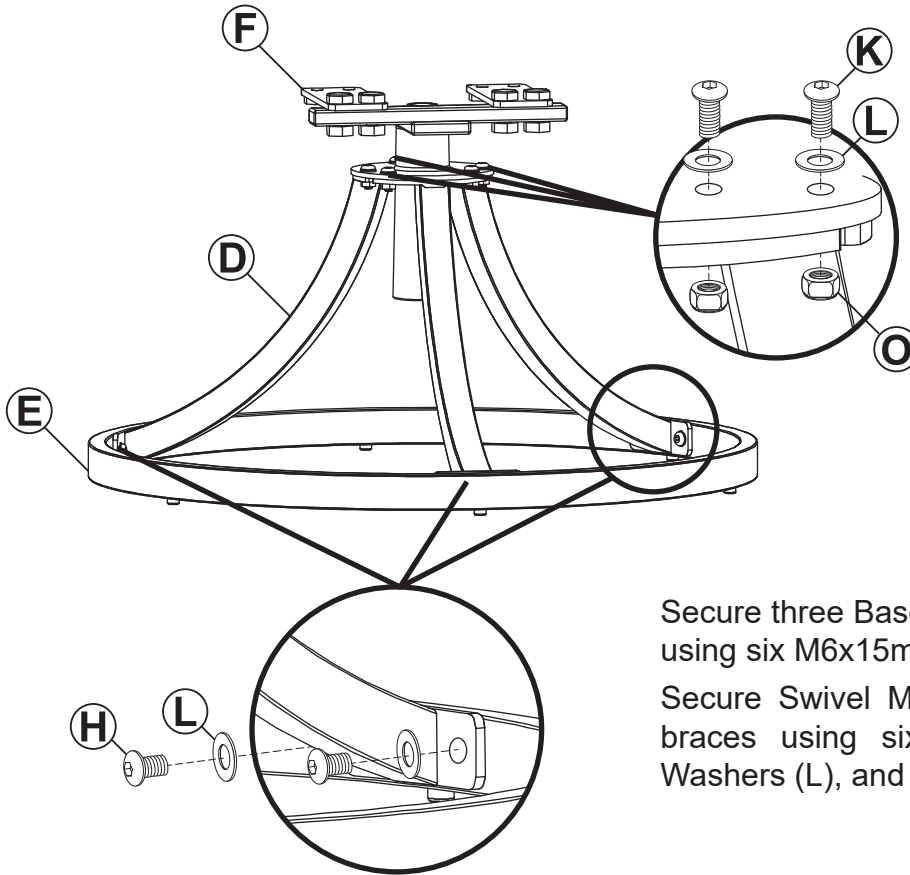
# ASSEMBLY



**! IMPORTANT:** Lock nuts must be installed with the nylon insert on the outside. Hand-tighten the nut until you feel resistance, which is caused by the nylon insert. Tools are required to fully tighten lock nuts, failure to properly tighten the lock nuts may result in product malfunction or personal injury.

## STEP 1

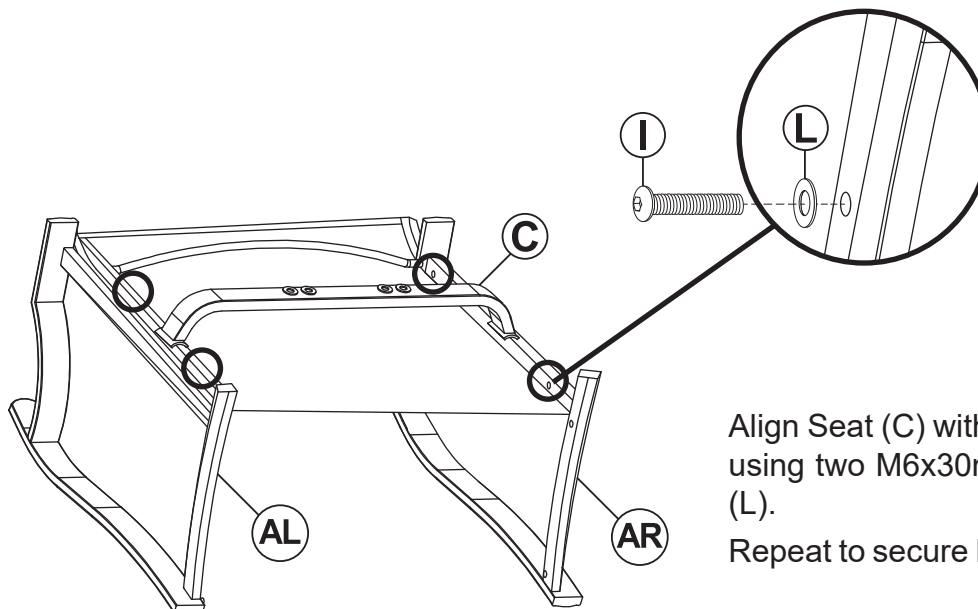
- D: 3
- E: 1
- F: 1
- H: 6
- K: 6
- L: 12
- O: 6



Secure three Base Braces (D) to Base Ring (E) using six M6x15mm Bolts (H) and Washers (L).  
Secure Swivel Mechanism (F) onto the base braces using six M6x18mm Bolts (K), M6 Washers (L), and M6 Lock Nuts (O).

## STEP 2

- AL: 1
- AR: 1
- C: 1
- I: 4
- L: 4



Align Seat (C) with Left Armrest (AL) and secure using two M6x30mm Bolts (I) and M6 Washers (L).  
Repeat to secure Right Armrest (AR) to the seat.

### STEP 3

G: 2

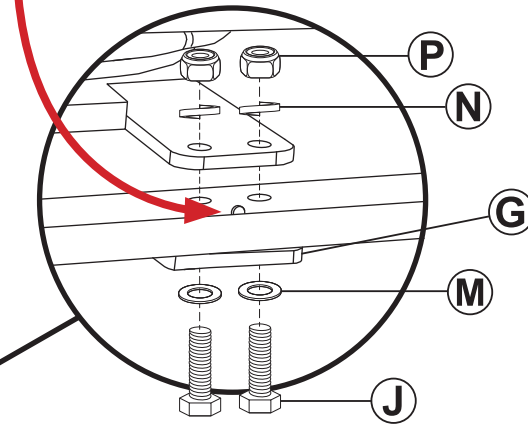
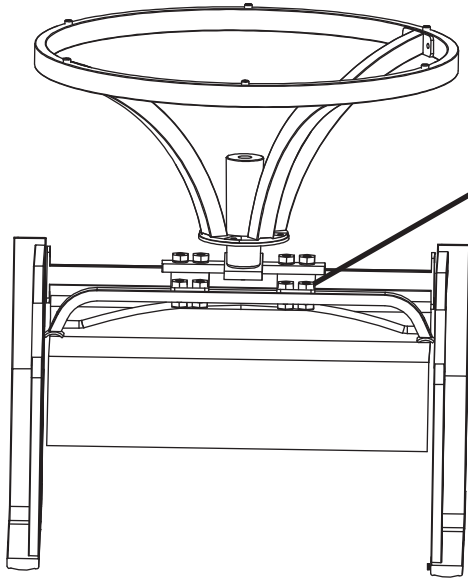
J: 4

M: 4

N: 4

P: 4

**IMPORTANT:** Ensure the swivel mechanism is installed behind the tab on the bottom of the seat.



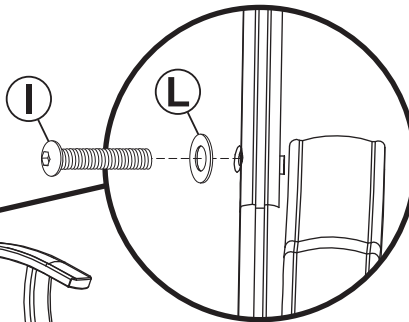
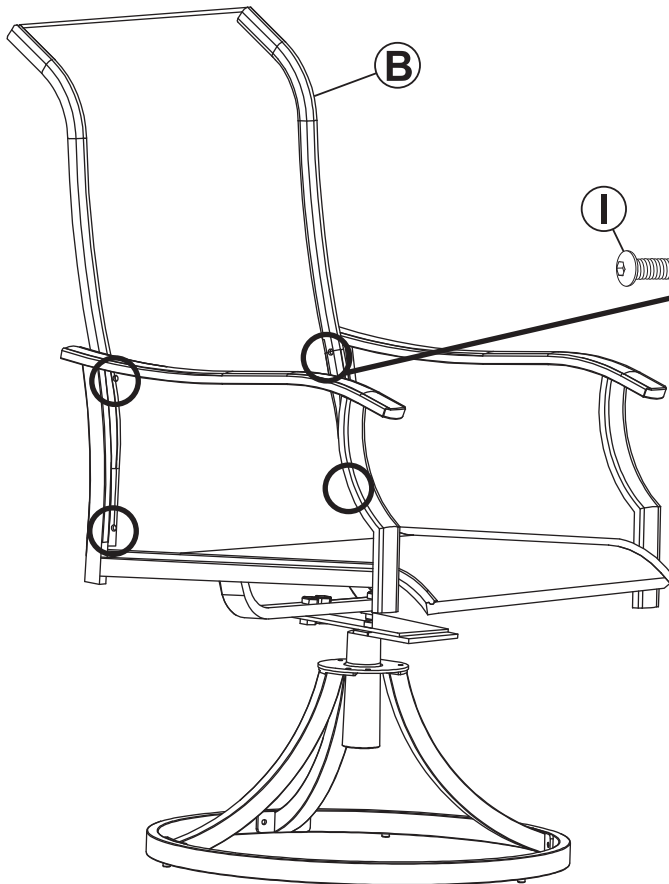
Secure the swivel mechanism to the bottom of the seat using two Brackets (G), four M8x30 Bolts (J), M8 Washers (M), M8 Split Washers (N), and M8 Lock Nuts (P), as shown. Flip the unit upright.

### STEP 4

B: 1

I: 4

L: 4



Secure Backrest (B) to the armrests using four M6x30mm Bolts (I) and M6 Washers (L).

# Care & Maintenance

**SAFE USE:** Do not stand on the chair. Only use on a flat, level surface.

**INSPECT:** Periodically check assembly points and tighten fittings as necessary.

**COVER:** When not in use, cover furniture with a breathable cover to help protect it from the harmful effects of sunlight, inclement weather, as well as dust build-up, and collecting debris.

**CLEANING:** Use a soft cloth, warm water and mild detergent to wipe down the stand if necessary. Rinse thoroughly. Dry with a soft, lint-free cloth.

**CARE & STORAGE:** Protect furniture from inclement weather, especially ice and snow. Move to a dry indoor location. Covering while in storage is recommended to help prevent dust build-up.

**WARNING:** THE ONE-YEAR WARRANTY DOES NOT COVER DAMAGES OR DEFECTS CAUSED BY THE APPLICATION OF CHEMICAL TREATMENTS, PROTECTIVE COATINGS, TOUCH-UP PAINT, OR CLEANING PRODUCTS.

## SAFETY STATEMENTS & WARNINGS

- Do not exceed the weight capacity.
- Never stand, or climb on the chair.
- Inspect item before use to ensure folding components are not damaged.
- Keep furniture a safe distance from heat sources such as, but not limited to, fire pits, patio heaters, and grills.
- Do not allow children to use this product without adult supervision.
- Do not use harsh chemicals, abrasive materials or a pressure washer to clean the furniture.

**Any modification to the product or failure to follow recommended care will void the product warranty.**

*If you experience issues with assembly or the product was damaged during shipping, please contact our customer service team through one of the methods mentioned at the top of page 1. Please have the item number and order information ready to expedite response time.*

## WARNING!

Manufacturer and seller expressly disclaim any and all liability from personal injury, property damage or loss, whether direct or indirect, or incidental, resulting from the incorrect attachment, improper use, inadequate maintenance, or neglect of this product.