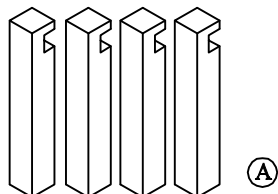


MEADOW TABLE

ASSEMBLY INSTRUCTIONS

BOX #1

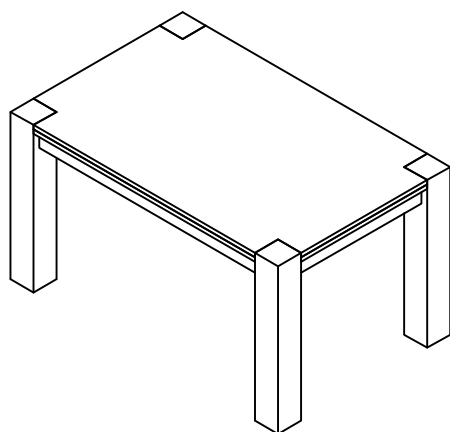
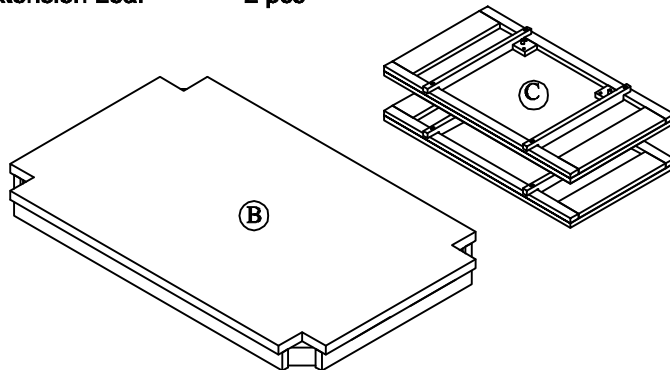
A. Legs 4 pcs



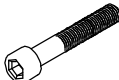


BOX #2

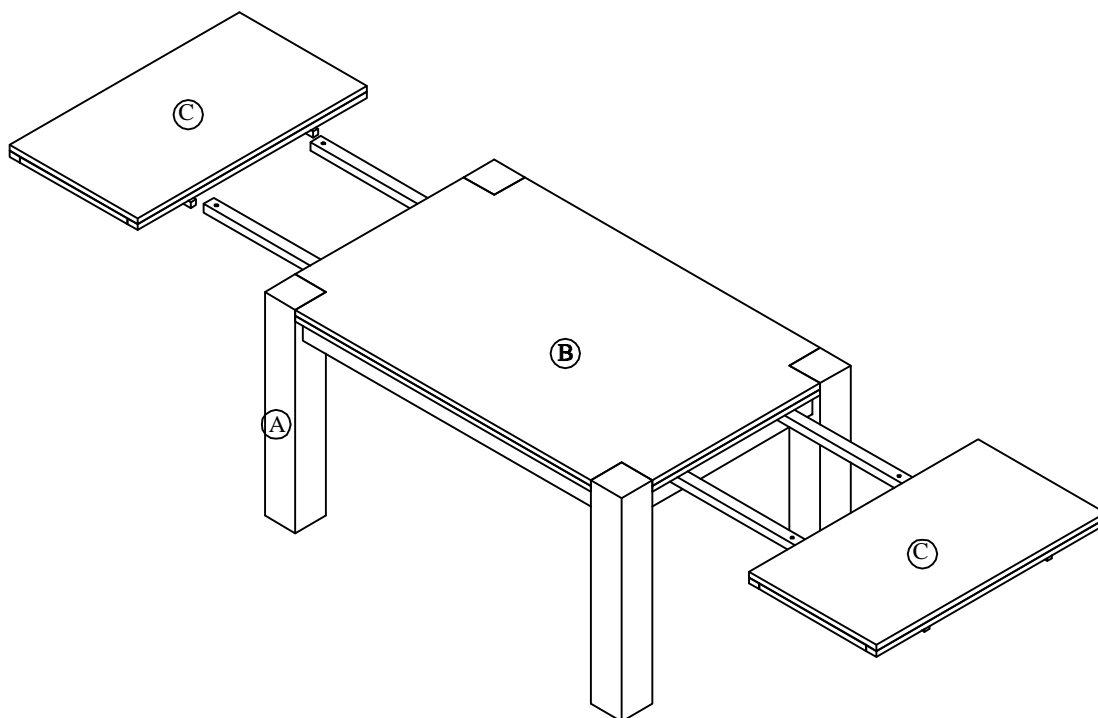
B. Table Top 1 pcs

C. Extension Leaf 2 pcs



HARDWARE PACKED IN BOX #1

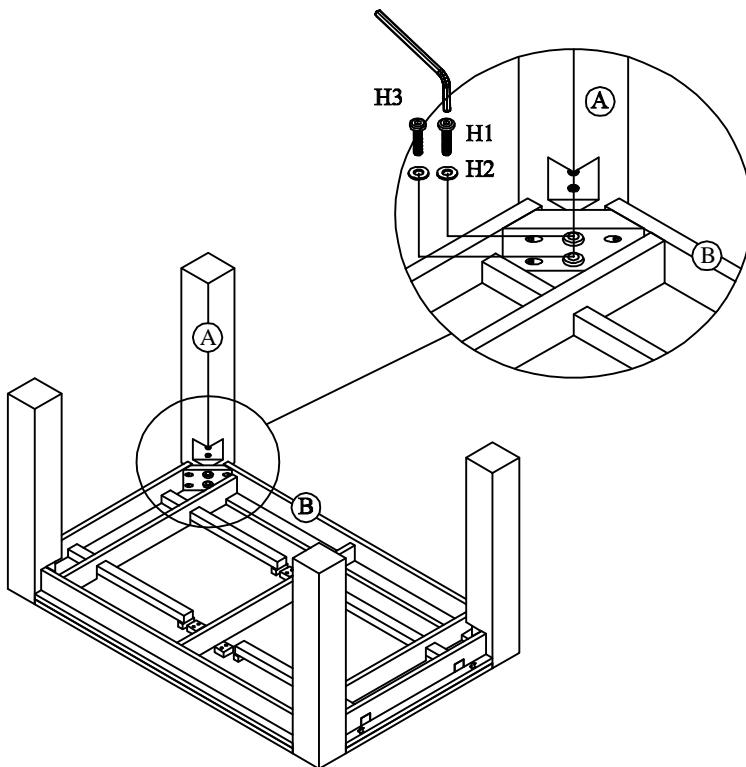
H1	ALLEN BOLT Ø8 x 50 mm	8 pcs	H2	WASHERS Ø8 x Ø20	8 pcs	H3	ALLEN KEY 6	1 pcs
								



Step 1: Clean your table top area. Put a clean blanket on the table top area to avoid putting scratches on your table top.

Step 2: Put table top (B) upside down on your clean table top area.

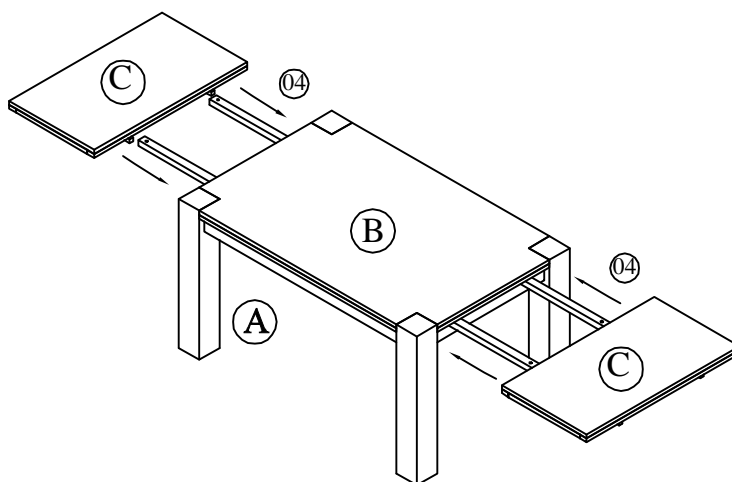
Step 3: Attach table legs (A) to the table top (B) by using the bolts (H1) and washers (H2). An allen key (H3) is provided for easy assembly. Attach each leg securely one at a time.



Step 4: After all four legs are securely bolted, have two people carefully flip the table over onto its legs.

Step 5: Bring the extension boards (04) under the table top (B) outward.

Step 6: Insert extension (C) into table notch by tilting upward and inserting notch (04) on the extension into the table top (B).



Step 7: Insert peg (see illustration 05) on bottom of extension into extension boards and securely fasten all four latches (see illustration 06).

