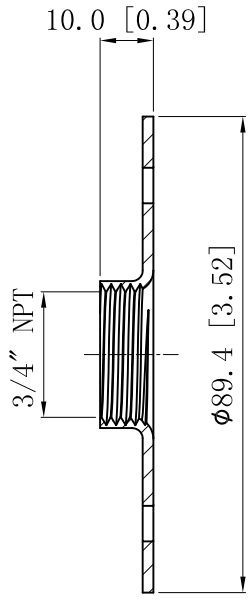
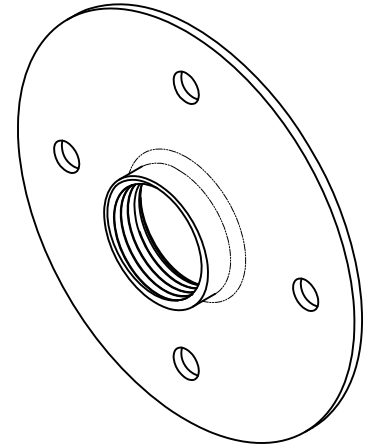
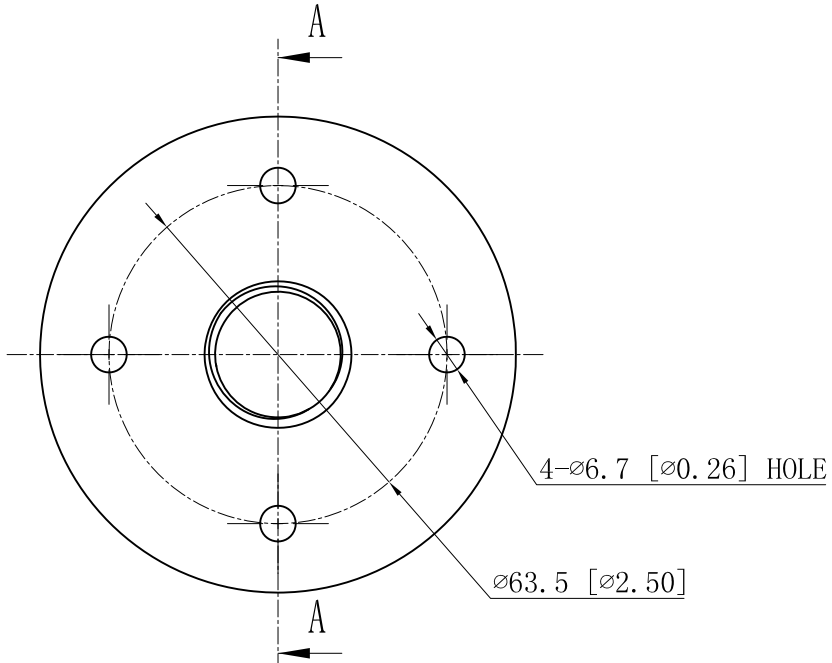


SIDES	BOTTOM
Material: Steel - 0.079" - Pre-galvanized G60	



CUTAWAY VIEW A-A



This data sheet is for reference only .GARVIN INDUSTRIES reserves the right to make changes to the design without prior notice.

DESCRIPTION
TRADE REFERENCE TERMS

STANDARD PACKING
25 PCS

GARVIN INDUSTRIES		
TITLE FLOOR FLANGED		
SIZE A4	DWG NO. FFE75	REV
DATA SHEET		