

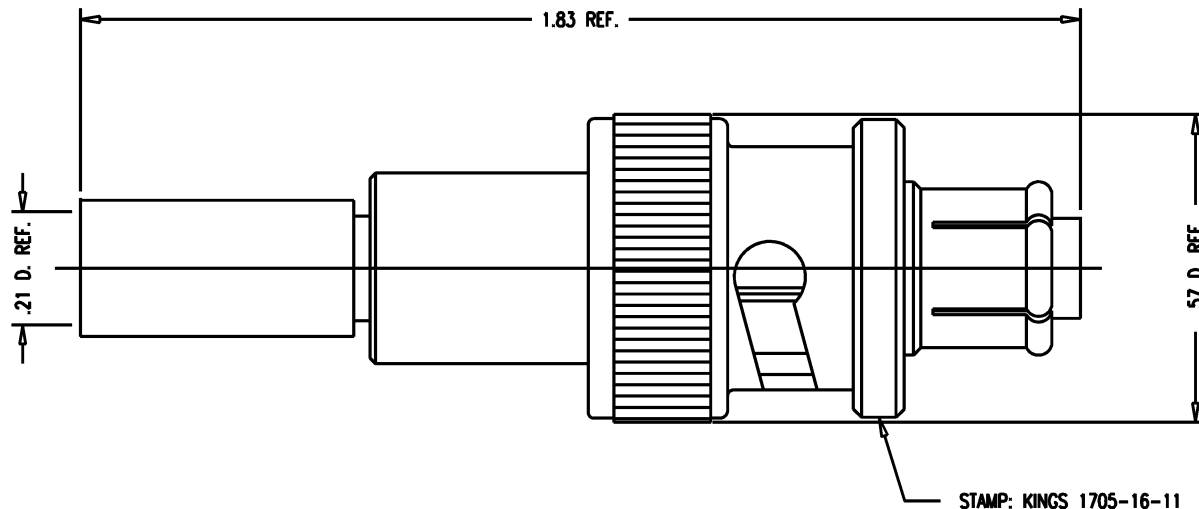
DASH NO.	M CODE	MADE FROM
----------	--------	-----------

# GSD

1705-16-11

### REVISIONS

ISSUE	CHANGES
0	ER 36931 KH 04/22/96



#### NOTES:

- FOR USE WITH C 9Y19503 CABLE.
- FOR CABLING INSTRUCTIONS SEE CP-441.
- FOR CRIMPING USE DIE KTH-2062.
- INTERFACE PER MIL-STD-348, FIGURE 314-2.
- MATERIALS:  
 INSULATOR: REXOLITE, L-P-516  
 GASKET: SILICONE RUBBER, ZZ-R-765  
 K-GRIP SLEEVE: COMMERCIAL BRONZE, ASTM-B-135  
 SPRING WASHER & CONTACTS: BER. COP., ASTM-B-196  
 ALL OTHER PARTS: BRASS, ASTM-B16
- FINISHES:  
 CENTER CONTACT: GOLD PLATE PER MIL-G-45204  
 SPRING WASHER: SILVER PLATE PER QQ-S-365  
 ALL OTHER METAL PARTS: KINGS TARNISH RESISTANT NICKEL FINISH (TR-5)
- ELECTRICAL CHARACTERISTICS:  
 OPERATING VOLTAGE: 3500 VOLTS AC  
 6000 VOLTS DC

KAM6567

SCALE 4:1

APPROX SURFACE AREA

USED ON

REF: ROMTRONIX P.O. # 27293

PLUG, SHV

DRAWN KH DATE 04/22/96

DESIGN LJ DATE 04/23/96

APPR. DATE

**KINGS**  
ELECTRONICS CO., INC.  
TUCKAHOE, NEW YORK 10707

# GSD

1705-16-11