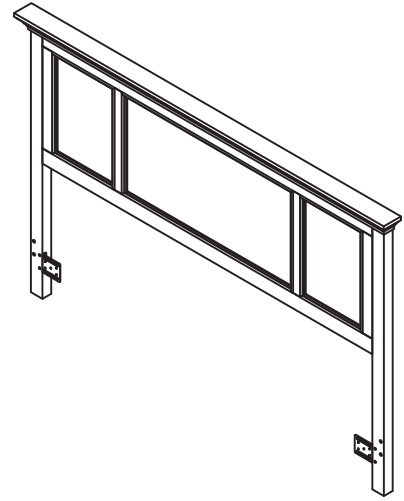


King Headboard



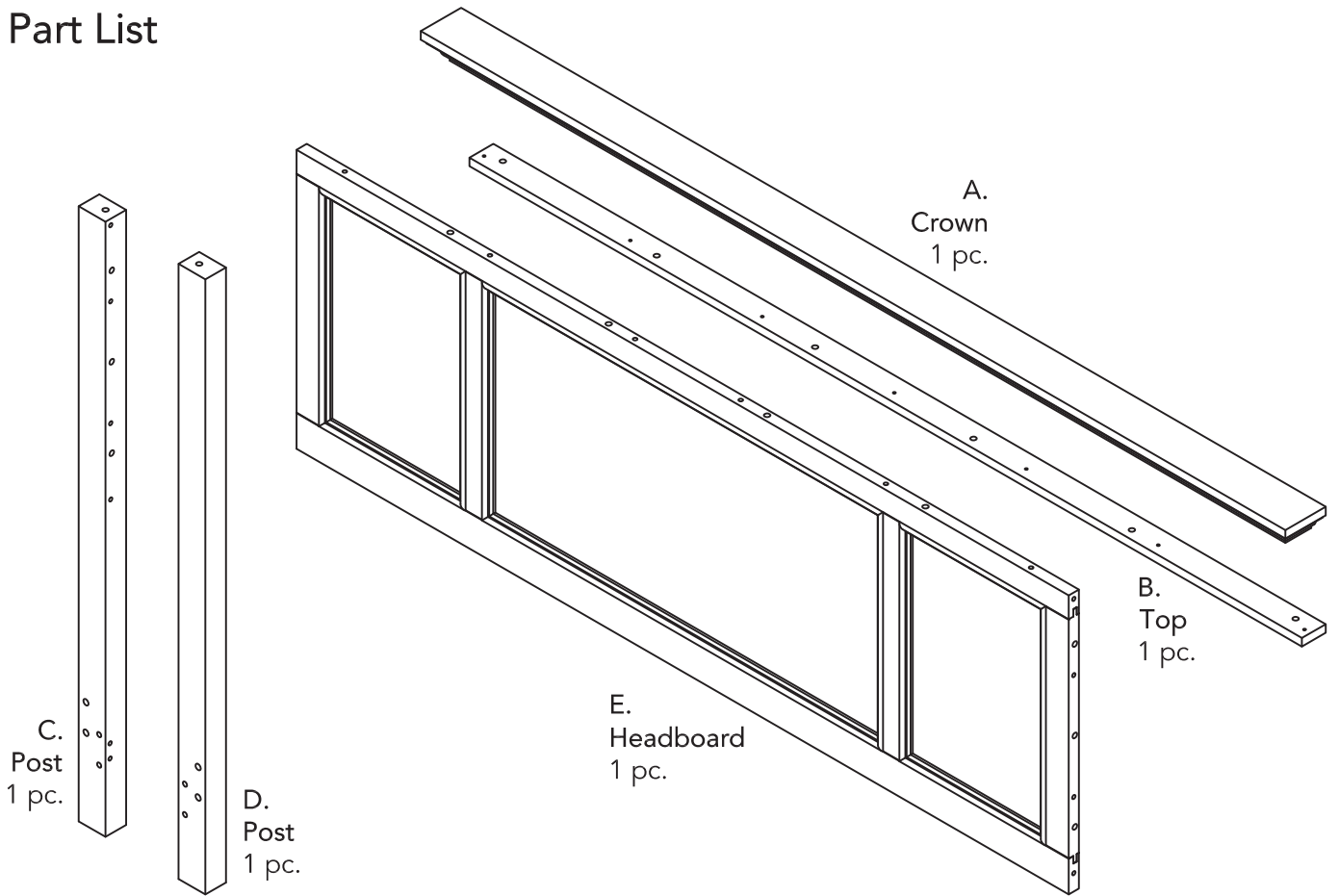
IMPORTANT

Carefully remove all the parts from the carton and place them individually on a soft cloth to prevent scratches or other damage.

Carefully and strictly follow these assembly instructions to ensure a completed product as designed.

Do not use power tools above 8 volts to assemble.

Part List



Hardware List



**M6x30
Head Cap Bolt**
4 pcs. (+1 extra)



Spring Washer
4 pcs. (+1 extra)



Flat Washer (Small)
4 pcs. (+1 extra)



Corner Plate
2 pcs.



Allen Key
1 pc.




Allen Key (Small)
1 pc.



5/16\"
Bolt
12 pcs. (+1 extra)



Flat Washer (Large)
12 pcs. (+1 extra)




Nut
12 pcs. (+1 extra)



Wrench
1 pc.



**M4x25
Wood Screw**
7 pcs. (+1 extra)



Wooden Dowel
14 pcs. (+1 extra)

Tool(s) required for assembly: Phillips screwdriver

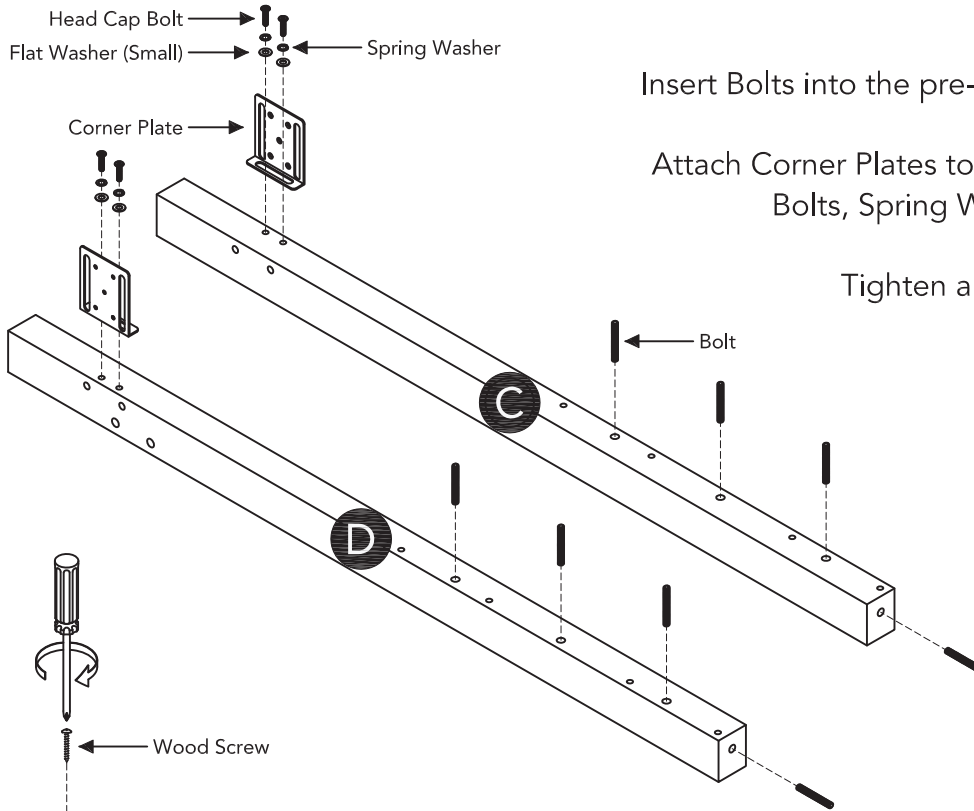
Home Styles Customer Service: www.homestyles-furniture.com,
servicedesk@homestyles-furniture.com, 888-680-7460, 877-831-0319

Assembly Instructions 2/3

IMPORTANT

- Use a soft cloth between these parts and the floor.
- Do not use power tools above 8 volts to assemble.
- Do not tighten up all the bolts until each part is properly assembled.
- Keep Allen Key and Wrench in a safe place as the bolts and nuts may need to be tightened up in the future.

STEP 1



Insert Bolts into the pre-drilled holes of Posts (C) and (D).

Attach Corner Plates to Posts (C) and (D) with Head Cap Bolts, Spring Washers and Flat Washers (Small).

Tighten all Head Cap Bolts with Allen Key.
(See Figure 1)

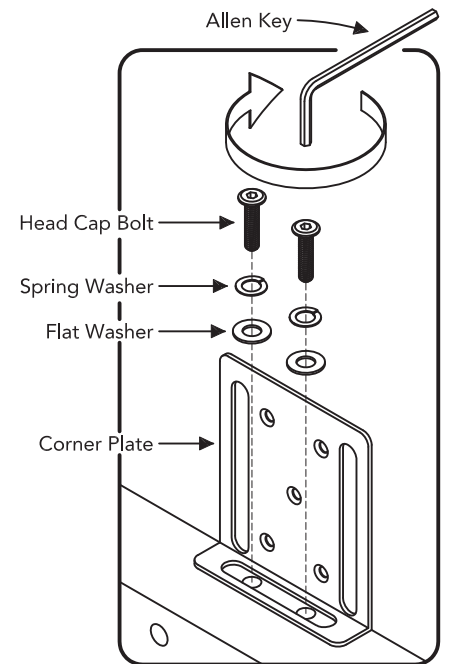
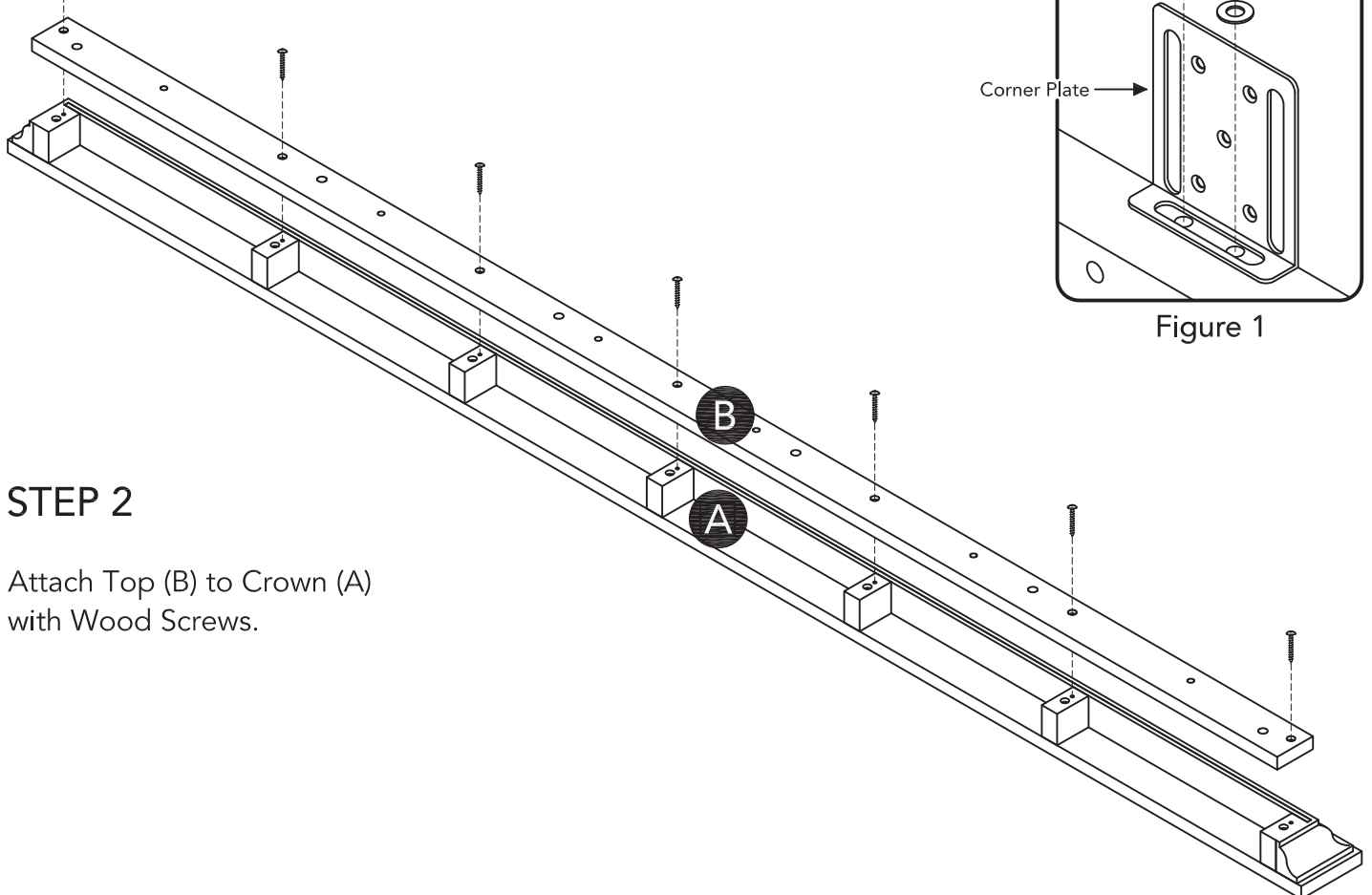


Figure 1

STEP 2

Attach Top (B) to Crown (A) with Wood Screws.



Assembly Instructions 3/3

STEP 3

Attach Posts (C) and (D) to Headboard (E) with Flat Washers (Large), Nuts and Wooden Dowels.

Tighten all Nuts with Wrench. (See Figure 2)

Insert Bolts into the pre-drilled holes of Headboard (E).

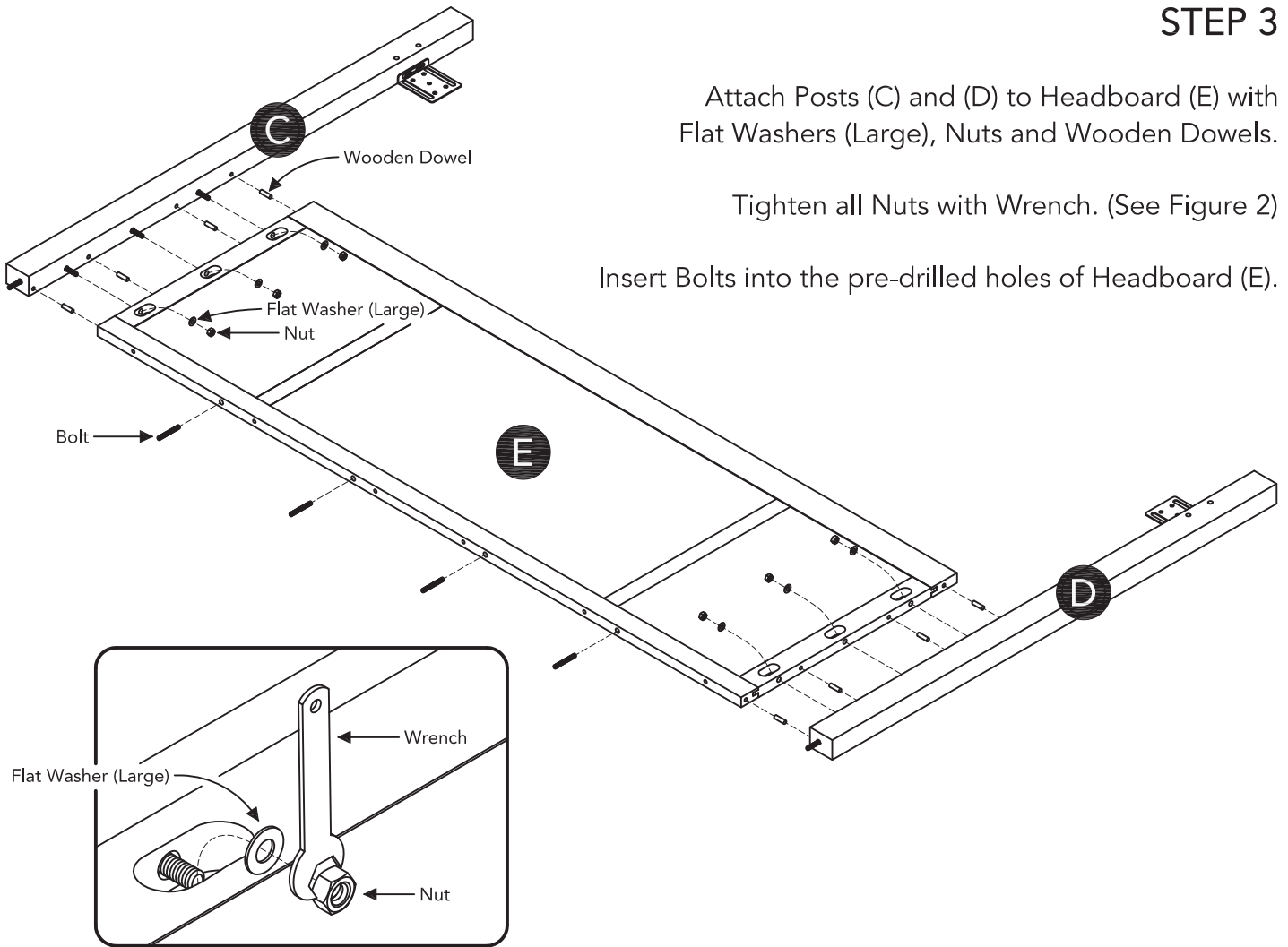
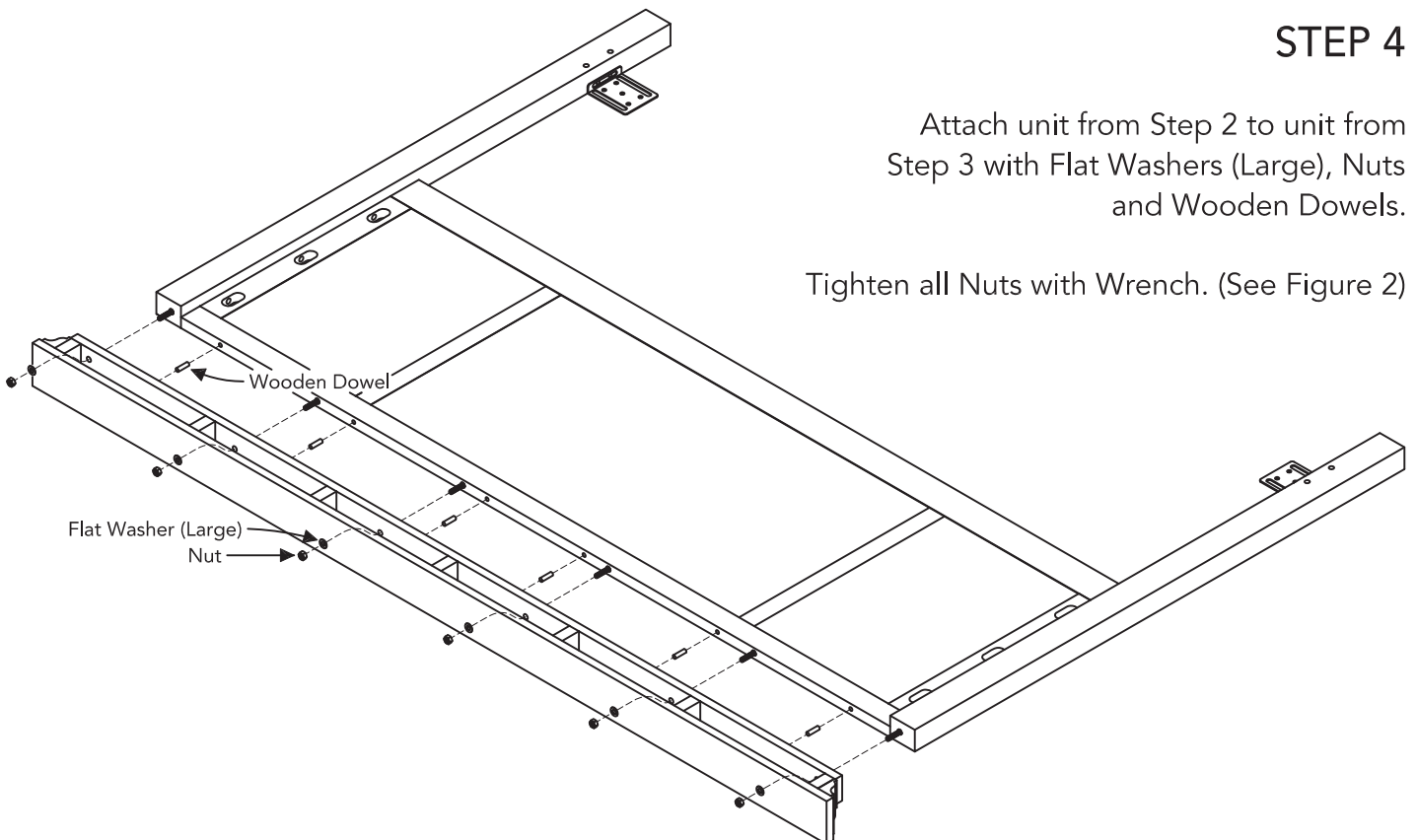


Figure 2

STEP 4

Attach unit from Step 2 to unit from Step 3 with Flat Washers (Large), Nuts and Wooden Dowels.

Tighten all Nuts with Wrench. (See Figure 2)



CARE INSTRUCTIONS

NEVER

allow liquids to remain on furniture.
Absorption causes parts to warp
and split and finishes to delaminate.

NEVER

use glass cleaners on
finished furniture. Ammonia
chemically attacks the finish.



Do not use power tools
above 8 volts to assemble.

**PREVENT
CRACKING**



Do not place
in direct sunlight.

**PREVENT
FADING**



Do not write
directly on surface.

**PREVENT
MARKING**



Do not place hot
objects on surface.

**PREVENT
FINISH DAMAGE**



Do not use rubber
based placemats.

**PREVENT
DISCOLORING**



Do not use commercial
waxes and polishes.

**PREVENT
YELLOWING**

CLEAN

with a soft cloth moistened
in lukewarm soap and water.
Buff with a dry clean cloth.



Home Styles will provide replacements free of charge for missing or damaged hardware or parts within 30 days of purchase. Digital images of the defective parts may be required. If the product was not purchased from an authorized retail affiliate, Home Styles is under no obligation to provide replacement parts. Parts are not available for fully assembled items nor are parts available for sale. Replacements for missing or damaged hardware or parts may be requested at:

www.homestyles-furniture.com/customer-service/replacement-parts

Home Styles Customer Service: www.homestyles-furniture.com,
servicedesk@homestyles-furniture.com, 888-680-7460, 877-831-0319