

# GLASS WAREHOUSE/FUTURE GLASS

## DOR-BPRD GLASS SPIGOT RAILING

GLASSWAREHOUSE  
FUTUREGLASS

1319 ROCKY POINT DRIVE, SUITE 200  
OCEANSIDE, CA 92056  
PH: (760) 536-3640

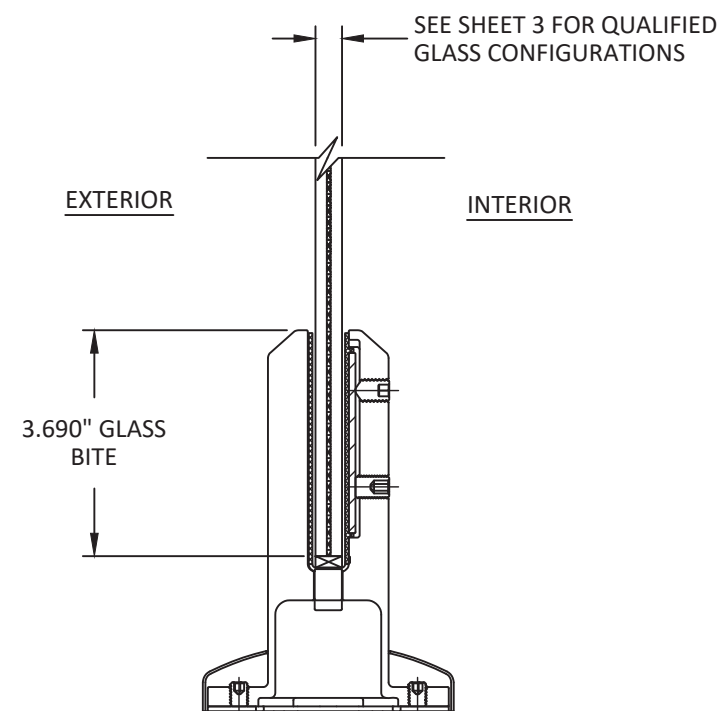
### GENERAL NOTES:

1. THE PRODUCT SHOWN HEREIN IS DESIGNED AND MANUFACTURED TO COMPLY WITH THE CURRENT EDITION OF THE INTERNATIONAL BUILDING CODE (IBC), **EXCLUDING** HVHZ.
2. FOR FALL PROTECTION REQUIREMENTS, THIS PRODUCT HAS BEEN ANALYZED IN ACCORDANCE WITH SECTION 1607.9.1 AND MEETS THE REQUIREMENTS OF THE 50 PLF LINEAR LOAD AND 200 LB CONCENTRATED LOAD SPECIFIED IN ASCE 7 SECTION 4.5.1.
3. ADEQUACY OF THE EXISTING STRUCTURAL CONCRETE/MASONRY AND 2X FRAMING AS A MAIN WIND FORCE RESISTING SYSTEM CAPABLE OF WITHSTANDING AND TRANSFERRING APPLIED PRODUCT LOADS TO THE FOUNDATION IS THE RESPONSIBILITY OF THE ENGINEER OR ARCHITECT OF RECORD FOR THE PROJECT OF INSTALLATION.
4. THE INSTALLATION DETAILS DESCRIBED HEREIN ARE GENERIC AND MAY NOT REFLECT ACTUAL CONDITIONS FOR A SPECIFIC SITE. IF SITE CONDITIONS CAUSE INSTALLATION TO DEVIATE FROM THE REQUIREMENTS DETAILED HEREIN, A LICENSED ENGINEER OR ARCHITECT SHALL PREPARE SITE SPECIFIC DOCUMENTS FOR USE WITH THIS DOCUMENT.
5. APPROVED IMPACT PROTECTIVE SYSTEM **IS REQUIRED** ON THIS PRODUCT IN AREAS REQUIRING IMPACT RESISTANCE.
6. SPIGOT MATERIAL: DUPLEX 2205 STAINLESS STEEL
7. GLASS MEETS THE REQUIREMENTS OF ASTM E1300 GLASS CHARTS. SEE SHEET 1 FOR GLAZING DETAIL AND SHEET 3 FOR QUALIFIED GLASS OPTIONS.

### INSTRUCTIONS FOR USE:

1. DETERMINE DESIGN WIND LOAD REQUIREMENTS BASED ON WIND VELOCITY, BUILDING HEIGHT, AND WIND ZONE USING THE APPLICABLE ASCE 7 STANDARD. (SEE SHEET 6 FOR TYPICAL WIND LOADS).
2. SEE DESIGN PRESSURE TABLES ON SHEET 3 FOR DESIGN LOAD CAPACITY OF DESIRED GLASS TYPE, SIZE, AND THE MAXIMUM RAILING HEIGHT BASED ON THE CONCENTRATED AND DISTRIBUTED LIVE LOADS.
3. SEE ANCHOR SCHEDULE AND CAPACITY TABLE ON SHEET 4.
4. FOR CAP RAIL OPTIONS AND ALLOWABLE SPANS REFER TO SHEET 5.

| TABLE OF CONTENTS |   |
|-------------------|---|
| SHEET             | SHEET DESCRIPTION                       |
| 1                 | GENERAL NOTES AND GLAZING DETAIL        |
| 2                 | ELEVATIONS                              |
| 3                 | GLASS ALLOWABLE DESIGN PRESSURE TABLES  |
| 4                 | ANCHOR SCHEDULE & ANCHOR CAPACITY TABLE |
| 5                 | CAP RAIL TYPES AND ALLOWABLE SPANS      |
| 6                 | ALLOWABLE WIND LOADS PER ASCE 7         |
| 7                 | WIND SPEED MAP                          |



**GLAZING DETAIL**

### GLAZING NOTES:

1. GLASS TYPE COMPLIES WITH ASTM E1300 REQUIREMENTS. PER THE IBC TEMPER AND SAFETY GLAZING REQUIREMENTS SHALL BE REVIEWED ON A SITE SPECIFIC BASIS.
2. SETTING BLOCK DUROMETER HARDNESS OF 70-90 (SHORE A) AS REFERENCED IN IBC CHAPTER 24.
3. SETTING BLOCKS TO BE LOCATED AT 1/4 SPAN LENGTH FOR GLASS WIDER THAN 36" AS PER IBC CHAPTER 24.
4. D.L.O. AND DESIGN PRESSURES MAY NOT EXCEED MAX VALUES SHOWN HEREIN.

TITLE: DOR-BPRD GLASS SPIGOT RAILING  
GENERAL NOTES AND GLAZING DETAIL

PREPARED BY: BUILDING DROPS, INC.  
1900 NE MIAMI COURT, STE. 2-15  
MIAMI, FL 33132  
PH: (954) 399-8478  
FAX: (954) 744-4738  
WEB: www.buildingdrops.com



| REMARKS | BY | DATE |
|---------|----|------|
|         |    |      |
|         |    |      |
|         |    |      |

THE INSTALLATION DETAILS DESCRIBED HEREIN ARE GENERIC AND MAY NOT REFLECT ACTUAL CONDITIONS FOR A SPECIFIC SITE. IF SITE CONDITIONS CAUSE INSTALLATION TO DEVIATE FROM THE REQUIREMENTS DETAILED HEREIN, A LICENSED ENGINEER OR ARCHITECT SHALL PREPARE SITE SPECIFIC DOCUMENTS FOR USE WITH THIS DOCUMENT.



BUILDING DROPS, INC.  
1900 NE MIAMI COURT, STE. 2-15  
MIAMI, FL 33132  
FBPE CERT. OF AUTHORIZATION No. 29578

DATE: 11.01.24

DWG. BY: SH  
CHK. BY: HFN

SCALE: NTS

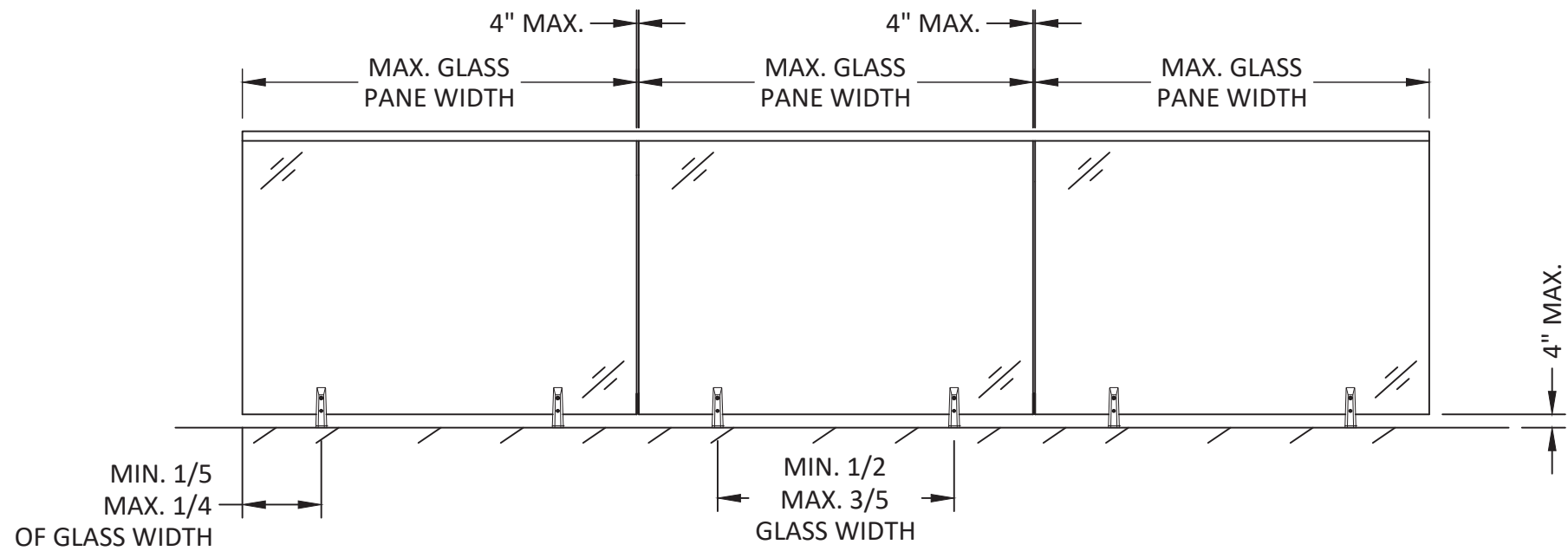
DWG. #: GLW004

SHEET:

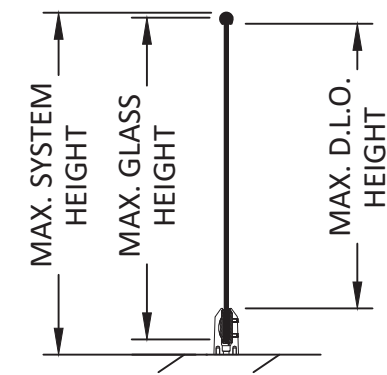
1

OF 7

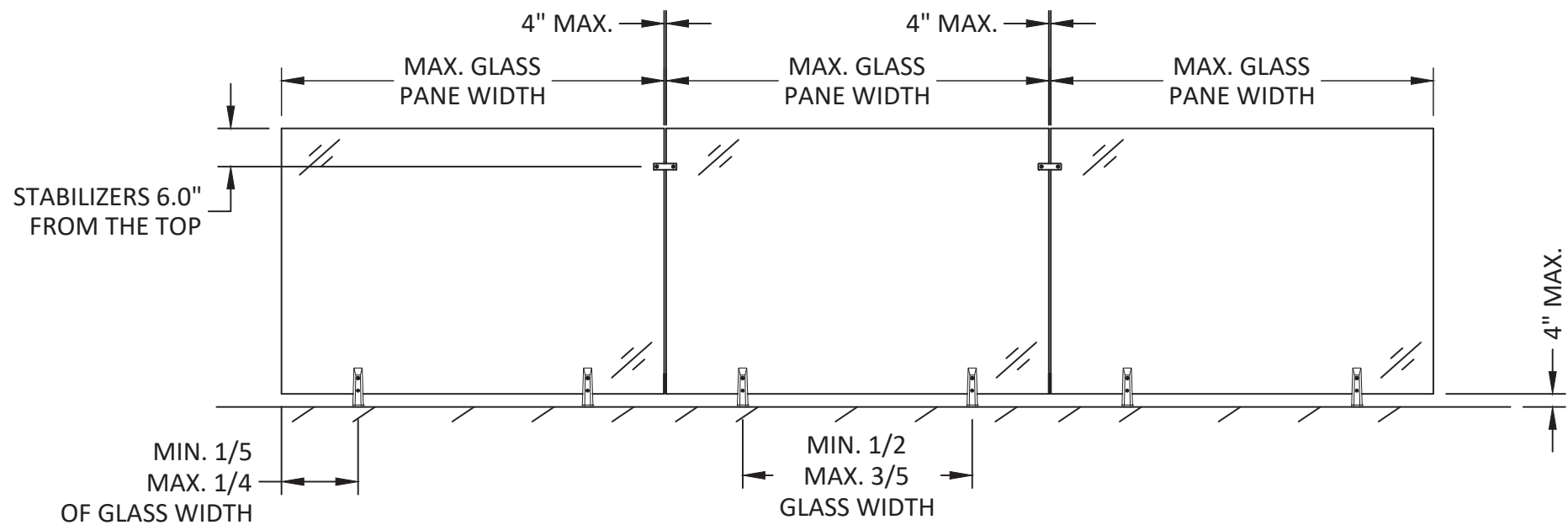
2/12/2025 9:03 AM  
 c:\users\sebastianhereros\building drops, including drops landing - common\projects\hardware and glass group\limited\lev-24-0853.2 - engineering evaluation - glass warehouse name update\dwg\glw004 - f50gpb - zeyn.dwg



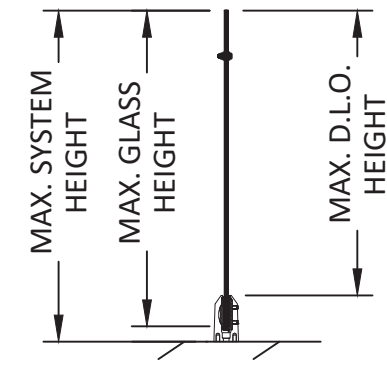
TYPICAL GLASS SPIGOT ELEVATION W/ CAP RAIL



TYPICAL VERTICAL SECTION

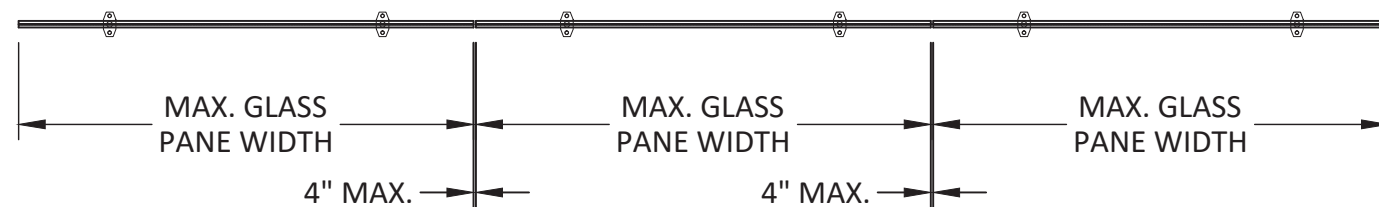


TYPICAL GLASS SPIGOT ELEVATION W/ STIFFENER CLAMP



TYPICAL VERTICAL SECTION

NOTE: SEE SHEET 3 FOR DESIGN PRESSURE TABLES AND SHEET 4 FOR ANCHOR DETAILS.



TYPICAL TOP VIEW

GLASSWAREHOUSE  
FUTUREGLASS

1319 ROCKY POINT DRIVE, SUITE 200  
OCEANSIDE, CA 92056  
PH: (760) 536-3640

TITLE: DOR-BPRD GLASS SPIGOT RAILING

ELEVATIONS

PREPARED BY: BUILDING DROPS, INC.

1900 NE MIAMI COURT, STE. 2-15  
MIAMI, FL 33132  
PH: (954) 359-8478  
FAX: (954) 744-4738  
WEB: www.buildingdrops.com



| REMARKS | BY | DATE |
|---------|----|------|
|         |    |      |
|         |    |      |
|         |    |      |

THE INSTALLATION DETAILS DESCRIBED HEREIN ARE GENERIC AND MAY NOT REFLECT ACTUAL CONDITIONS FOR A SPECIFIC SITE. IF SITE CONDITIONS CAUSE INSTALLATION TO DEVIATE FROM THE REQUIREMENTS DETAILED HEREIN, A LICENSED ENGINEER OR ARCHITECT SHALL PREPARE SITE SPECIFIC DOCUMENTS FOR USE WITH THIS DOCUMENT.



BUILDING DROPS, INC  
1900 NE MIAMI COURT, STE. 2-15  
MIAMI, FL 33132  
FBPE CERT. OF AUTHORIZATION No. 29578

DATE: 11.01.24

DWG. BY: SH

CHK. BY: HFN

SCALE: NTS

DWG. #: GLW004

SHEET:

2

OF 7

# ALLOWABLE WIND LOAD TABLES BASED ON GLASS TYPE

TABLE 1: 1/2" MONOLITHIC TEMPERED GLASS

| ALLOWABLE WIND LOAD (PSF) |                   |       |       |       |       |
|---------------------------|-------------------|-------|-------|-------|-------|
| GLASS HEIGHT (in.)        | GLASS WIDTH (in.) |       |       |       |       |
|                           | 36                | 48    | 60    | 68    | 72    |
| 36                        | 39.64             | 31.00 | 24.96 | 22.13 | 20.93 |
| 42                        | 28.70             | 22.18 | 18.01 | 15.98 | 15.13 |
| 48                        | 21.36             | 16.56 | 13.51 | 12.00 | 11.36 |
| 60                        | 13.36             | 10.41 | 8.51  | 8.51  | 7.15  |

TABLE 2: 7/16" O.A. LAMINATED GLASS: 3/16" TEMPERED GLASS - 0.060" PVB - 3/16" TEMPERED GLASS

| ALLOWABLE WIND LOAD (PSF) |                   |       |       |      |      |
|---------------------------|-------------------|-------|-------|------|------|
| GLASS HEIGHT (in.)        | GLASS WIDTH (in.) |       |       |      |      |
|                           | 36                | 48    | 60    | 68   | 72   |
| 36                        | 17.33             | 13.55 | 10.91 | 9.67 | 9.15 |
| 42                        | 13.50             | 10.44 | 8.48  | 7.52 | 7.12 |
| 48                        | 10.73             | 8.32  | 6.79  | 6.03 | 5.71 |
| 60                        | 7.46              | 5.81  | 4.75  | 4.75 | 3.99 |

TABLE 3: 7/16" O.A. LAMINATED GLASS: 3/16" TEMPERED GLASS - 0.060" PVB ES - 3/16" TEMPERED GLASS

| ALLOWABLE WIND LOAD (PSF) |                   |       |       |       |       |
|---------------------------|-------------------|-------|-------|-------|-------|
| GLASS HEIGHT (in.)        | GLASS WIDTH (in.) |       |       |       |       |
|                           | 36                | 48    | 60    | 68    | 72    |
| 36                        | 23.30             | 18.22 | 14.67 | 13.01 | 12.31 |
| 42                        | 17.92             | 13.85 | 11.25 | 9.98  | 9.45  |
| 48                        | 13.96             | 10.82 | 8.83  | 7.84  | 7.43  |
| 60                        | 9.29              | 7.24  | 5.91  | 5.91  | 4.97  |

TABLE 4: 7/16" O.A. LAMINATED GLASS: 3/16" TEMPERED GLASS - 0.060" SENTRYGLAS - 3/16" TEMPERED GLASS

| ALLOWABLE WIND LOAD (PSF) |                   |       |       |       |       |
|---------------------------|-------------------|-------|-------|-------|-------|
| GLASS HEIGHT (in.)        | GLASS WIDTH (in.) |       |       |       |       |
|                           | 36                | 48    | 60    | 68    | 72    |
| 36                        | 29.74             | 23.25 | 18.72 | 16.60 | 15.70 |
| 42                        | 21.88             | 16.91 | 13.73 | 12.18 | 11.53 |
| 48                        | 16.46             | 12.76 | 10.41 | 9.25  | 8.75  |
| 60                        | 10.43             | 8.13  | 6.64  | 6.64  | 5.58  |

TABLE 5: 9/16" O.A. LAMINATED GLASS: 1/4" TEMPERED GLASS - 0.060" PVB - 1/4" TEMPERED GLASS

| ALLOWABLE WIND LOAD (PSF) |                   |       |       |       |       |
|---------------------------|-------------------|-------|-------|-------|-------|
| GLASS HEIGHT (in.)        | GLASS WIDTH (in.) |       |       |       |       |
|                           | 36                | 48    | 60    | 68    | 72    |
| 36                        | 23.83             | 18.63 | 15.00 | 13.30 | 12.58 |
| 42                        | 18.45             | 14.26 | 11.58 | 10.27 | 9.72  |
| 48                        | 14.60             | 11.32 | 9.23  | 8.20  | 7.76  |
| 60                        | 10.12             | 7.89  | 6.44  | 6.44  | 5.42  |

TABLE 6: 9/16" O.A. LAMINATED GLASS: 1/4" TEMPERED GLASS - 0.060" PVB ES - 1/4" TEMPERED GLASS

| ALLOWABLE WIND LOAD (PSF) |                   |       |       |       |       |
|---------------------------|-------------------|-------|-------|-------|-------|
| GLASS HEIGHT (in.)        | GLASS WIDTH (in.) |       |       |       |       |
|                           | 36                | 48    | 60    | 68    | 72    |
| 36                        | 31.65             | 24.75 | 19.93 | 17.67 | 16.72 |
| 42                        | 24.41             | 18.87 | 15.32 | 13.60 | 12.87 |
| 48                        | 19.08             | 14.79 | 12.07 | 10.72 | 10.15 |
| 60                        | 12.78             | 9.96  | 8.14  | 8.14  | 6.84  |

TABLE 7: 9/16" O.A. LAMINATED GLASS: 1/4" TEMPERED GLASS - 0.060" SENTRYGLAS - 1/4" TEMPERED GLASS

| ALLOWABLE WIND LOAD (PSF) |                   |       |       |       |       |
|---------------------------|-------------------|-------|-------|-------|-------|
| GLASS HEIGHT (in.)        | GLASS WIDTH (in.) |       |       |       |       |
|                           | 36                | 48    | 60    | 68    | 72    |
| 36                        | 41.35             | 32.33 | 26.03 | 23.08 | 21.84 |
| 42                        | 30.51             | 23.58 | 19.15 | 16.99 | 16.08 |
| 48                        | 22.99             | 17.83 | 14.55 | 12.92 | 12.23 |
| 60                        | 14.61             | 11.38 | 9.30  | 9.30  | 7.82  |

GLASSWAREHOUSE  
FUTUREGLASS

1319 ROCKY POINT DRIVE, SUITE 200  
OCEANSIDE, CA 92056  
PH: (760) 536-3640

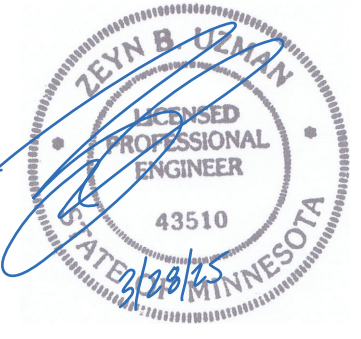
TITLE: DOR-BPRD GLASS SPIGOT RAILING  
GLASS ALLOWABLE DESIGN PRESSURE TABLES

PREPARED BY: BUILDING DROPS, INC.  
1900 NE MIAMI COURT, STE. 2-15  
MIAMI, FL 33132  
PH: (954) 399-8478  
FAX: (954) 744-4738  
WEB: www.buildingdrops.com



| REMARKS | BY | DATE |
|---------|----|------|
|         |    |      |
|         |    |      |
|         |    |      |

THE INSTALLATION DETAILS DESCRIBED HEREIN ARE GENERIC AND MAY NOT REFLECT ACTUAL CONDITIONS FOR A SPECIFIC SITE. IF SITE CONDITIONS CAUSE INSTALLATION TO DEVIATE FROM THE REQUIREMENTS DETAILED HEREIN, A LICENSED ENGINEER OR ARCHITECT SHALL PREPARE SITE SPECIFIC DOCUMENTS FOR USE WITH THIS DOCUMENT.



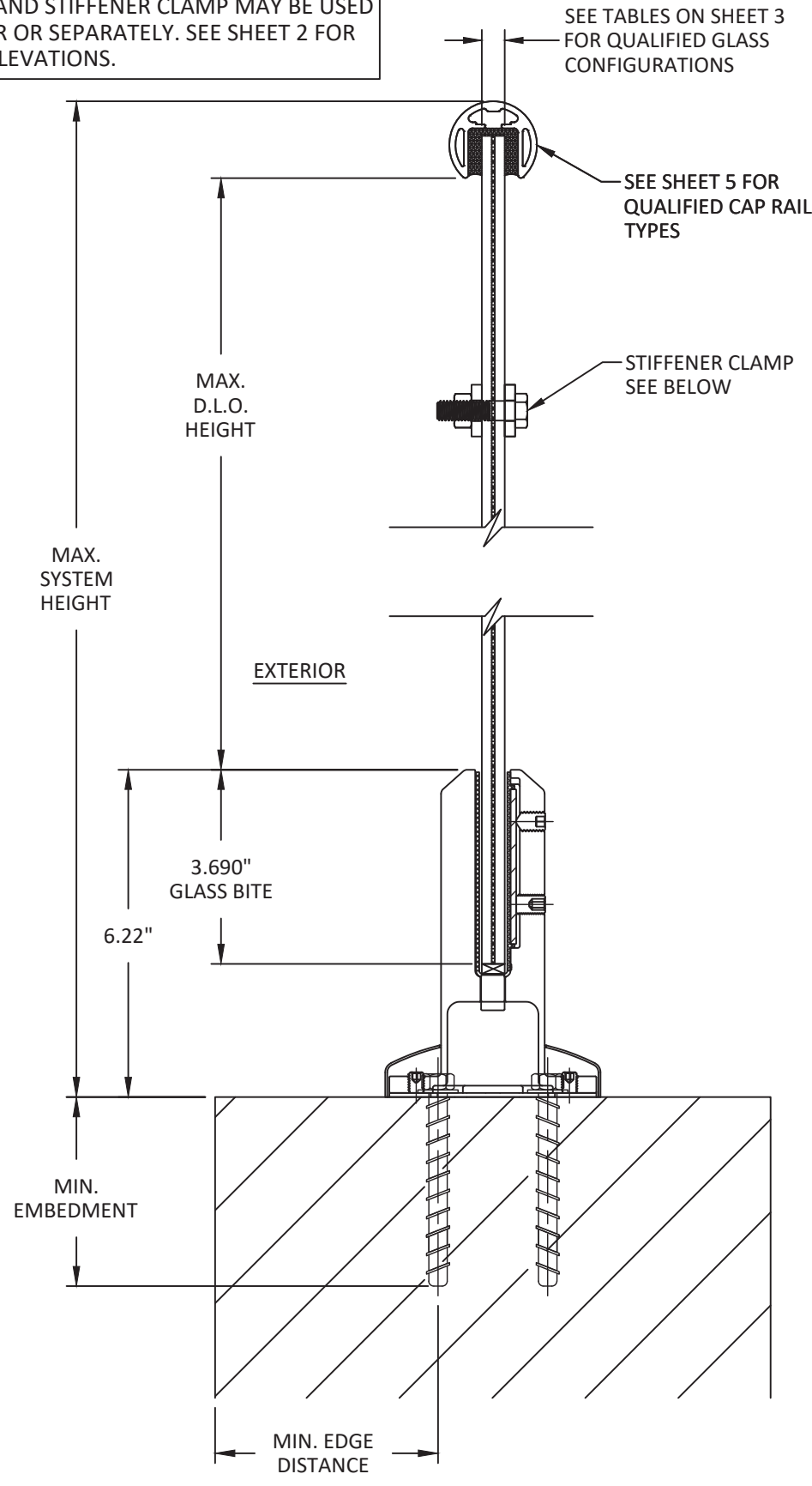
BUILDING DROPS, INC.  
1900 NE MIAMI COURT, STE. 2-15  
MIAMI, FL 33132  
FBPE CERT. OF AUTHORIZATION No. 29578

DATE: 11.01.24  
DWG. BY: SH  
CHK. BY: HFN  
SCALE: NTS  
DWG. #: GLW004

SHEET: 3 OF 7

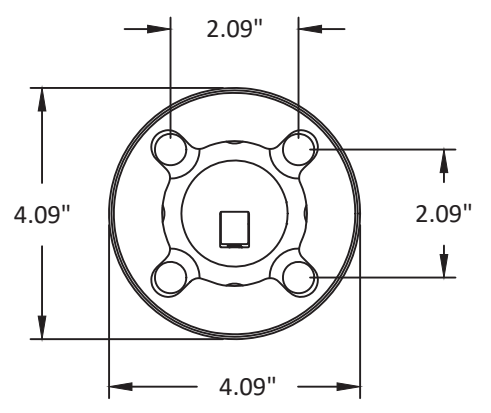
c:\Users\sebastianh\Documents\building drops, including drops landing - common\projects\hardware and glass group\limited\lev-24-08532 - engineering evaluation - glass warehouse name update\dvgs\GLW004 - F50gpb - zeyn.dwg 2/12/2025 9:03 AM

NOTE:  
CAP RAIL AND STIFFENER CLAMP MAY BE USED TOGETHER OR SEPARATELY. SEE SHEET 2 FOR TYPICAL ELEVATIONS.



| SPIGOT BASE INSTALLATION ALLOWABLE WIND LOAD (PSF) |                   |       |       |       |       |
|--|-------------------|-------|-------|-------|-------|
| GLASS HEIGHT (in.)                                 | GLASS WIDTH (in.) |       |       |       |       |
|  | 36                | 48    | 60    | 68    | 72    |
| 36   | 102.14            | 76.60 | 61.28 | 54.07 | 51.07 |
| 42   | 73.80             | 55.35 | 44.28 | 39.07 | 36.90 |
| 48   | 55.80             | 41.85 | 33.48 | 29.54 | 27.90 |
| 60   | 35.10             | 26.32 | 21.06 | 18.58 | 17.55 |

| ANCHOR SCHEDULE                            |                         |   |                    |              |
|--|-------------------------|---|--------------------|--------------|
| SUBSTRATE                                  | ANCHOR SCHEDULE         | MIN. EMBEDMENT                                | MIN. EDGE DISTANCE | QUANTITY     |
| WOOD: MIN. SG = 0.55                       | 5/16" ASTM F593 BOLT    | 3.00"   | 1.00"              | 4 PER SPIGOT |
| CONCRETE: $f_c=3000$ PSI                   | 1/4" DEWALT SCREW-BOLT+ | 2.50"   | 2.50"              | 4 PER SPIGOT |
| STEEL: $F_y = 33$ KSI MIN. (16 GAUGE MIN.) | 5/16" ASTM F593 BOLT    | THREE THREADS MIN. PENETRATION PAST STRUCTURE | 0.50"              | 4 PER SPIGOT |



GLASSWAREHOUSE  
FUTUREGLASS

1319 ROCKY POINT DRIVE, SUITE 200  
OCEANSIDE, CA 92056  
PH: (760) 536-3640

TITLE: DOR-BPRD GLASS SPIGOT RAILING  
ANCHOR SCHEDULE & ANCHOR CAPACITY TABLE

PREPARED BY: BUILDING DROPS, INC.  
1900 NE MIAMI COURT, STE. 2-15  
MIAMI, FL 33132  
PH: (954) 399-8478  
FAX: (954) 744-4738  
WEB: www.buildingdrops.com

| REMARKS | BY | DATE |
|---------|----|------|
|         |    |      |
|         |    |      |
|         |    |      |

THE INSTALLATION DETAILS DESCRIBED HEREIN ARE GENERIC AND MAY NOT REFLECT ACTUAL CONDITIONS FOR A SPECIFIC SITE. IF SITE CONDITIONS CAUSE INSTALLATION TO DEVIATE FROM THE REQUIREMENTS DETAILED HEREIN, A LICENSED ENGINEER OR ARCHITECT SHALL PREPARE SITE SPECIFIC DOCUMENTS FOR USE WITH THIS DOCUMENT.



BUILDING DROPS, INC.  
1900 NE MIAMI COURT, STE. 2-15  
MIAMI, FL 33132  
FBPE CERT. OF AUTHORIZATION No. 29578

DATE: 11.01.24  
DWG. BY: SH  
CHK. BY: HFN  
SCALE: NTS  
DWG. #: GLW004

SHEET: 4 OF 7

# CAP RAIL TYPES AND MAX. ALLOWABLE SPANS



**COR-AHS CAP RAIL:**

- SIMPLY SUPPORTED: 14.75 FT
- CANTILEVER: 5.42 FT



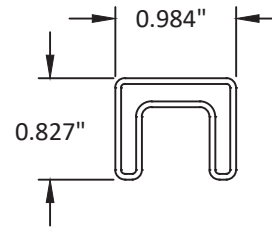
**DRA-AHR42 CAP RAIL:**

- SIMPLY SUPPORTED: 10.42 FT
- CANTILEVER: 2.67 FT



**AGE-SHR42 CAP RAIL:**

- SIMPLY SUPPORTED: 10.92 FT
- CANTILEVER: 3.0 FT



**HG25S XS CAP RAIL:**

- SIMPLY SUPPORTED: 5.08 FT
- CANTILEVER: 1.0 FT



**MAT-SHS CAP RAIL:**

- SIMPLY SUPPORTED: 10.58 FT
- CANTILEVER: 2.75 FT



**NOTE:**  
CANTILEVER SPAN ONLY APPLIES WHEN TOP RAIL IS NOT FIXED TO A STRUCTURE.  
IF CAP RAIL IS FIXED TO A STRUCTURE, USE SIMPLY SUPPORTED MAX ALLOWABLE SPAN.

GLASSWAREHOUSE  
**FUTUREGLASS**

1319 ROCKY POINT DRIVE, SUITE 200  
OCEANSIDE, CA 92056  
PH: (760) 536-3640

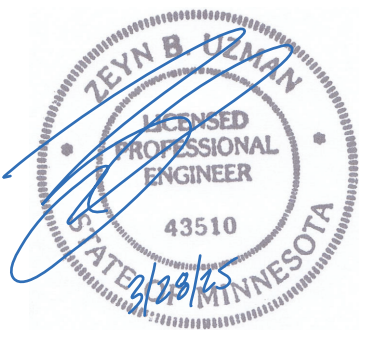
TITLE: DOR-BPRD GLASS SPIGOT RAILING  
CAP RAIL TYPES & ALLOWABLE SPANS

PREPARED BY: **BUILDING DROPS, INC.**  
1900 NE MIAMI COURT, STE. 2-15  
MIAMI, FL 33132  
PH: (954) 399-8478  
FAX: (954) 744-4738  
WEB: www.buildingdrops.com



| REMARKS | BY | DATE |
|---------|----|------|
|         |    |      |
|         |    |      |
|         |    |      |

THE INSTALLATION DETAILS DESCRIBED HEREIN ARE GENERIC AND MAY NOT REFLECT ACTUAL CONDITIONS FOR A SPECIFIC SITE. IF SITE CONDITIONS CAUSE INSTALLATION TO DEVIATE FROM THE REQUIREMENTS DETAILED HEREIN, A LICENSED ENGINEER OR ARCHITECT SHALL PREPARE SITE SPECIFIC DOCUMENTS FOR USE WITH THIS DOCUMENT.



BUILDING DROPS, INC.  
1900 NE MIAMI COURT, STE. 2-15  
MIAMI, FL 33132  
FBPE CERT. OF AUTHORIZATION No. 29578

|          |          |
|----------|----------|
| DATE:    | 11.01.24 |
| DWG. BY: | SH       |
| CHK. BY: | HFN      |
| SCALE:   | NTS      |
| DWG. #:  | GLW004   |

SHEET: **5**  
OF 7

# TYP. ALLOWABLE WIND LOADS

| ALLOWABLE WIND LOADS (PSF) |                                |                                 |                                 |                                |                                 |                                 |
|----------------------------|--------------------------------|---------------------------------|---------------------------------|--------------------------------|---------------------------------|---------------------------------|
| WIND SPEED<br>(MPH)        | W <sub>ASD</sub> FOR Cf = 1.3  |                                 |                                 | W <sub>ASD</sub> FOR Cf = 2.6  |                                 |                                 |
|                            | EXP. B<br>K <sub>Z</sub> = 0.7 | EXP. C<br>K <sub>Z</sub> = 0.85 | EXP. D<br>K <sub>Z</sub> = 1.03 | EXP. B<br>K <sub>Z</sub> = 0.7 | EXP. C<br>K <sub>Z</sub> = 0.85 | EXP. D<br>K <sub>Z</sub> = 1.03 |
| 100                        | 9.50                           | 11.53                           | 13.98                           | 19.00                          | 23.07                           | 27.95                           |
| 110                        | 11.49                          | 13.95                           | 16.91                           | 22.98                          | 27.91                           | 33.82                           |
| 120                        | 13.68                          | 16.61                           | 20.12                           | 27.35                          | 33.21                           | 40.25                           |
| 130                        | 16.05                          | 19.49                           | 23.62                           | 32.10                          | 39.98                           | 47.24                           |
| 140                        | 18.62                          | 22.60                           | 27.39                           | 37.23                          | 45.21                           | 54.78                           |
| 150                        | 21.37                          | 25.95                           | 31.44                           | 42.74                          | 51.90                           | 62.89                           |
| 160                        | 24.31                          | 29.52                           | 35.78                           | 48.63                          | 59.05                           | 71.55                           |
| 170                        | 27.45                          | 33.33                           | 40.39                           | 54.90                          | 66.66                           | 80.78                           |
| 180                        | 30.77                          | 37.37                           | 45.28                           | 61.54                          | 74.73                           | 90.56                           |

**PREMISES FOR WIND LOADS:**

1. WIND LOADS ARE BASED ON ASCE 7.
2. THE FOLLOWING ASSUMPTIONS HAVE BEEN MADE:
  - a. K<sub>d</sub> = 0.85
  - b. K<sub>zt</sub> = 1.0
  - c. MAX. HEIGHT, Z = 15 FT
3. Cf VALUES SHOWN ON TABLE ARE TWO OF THE TYPICAL EXTREME VALUES. FOR OTHER Cf VALUES MULTIPLY THE WIND LOAD BY Cf/1.3 OR REFER TO ASCE 7 FOR MORE DETAILS.
4. FOR HEIGHTS ABOVE 15 FT REFER TO ASCE 7 FOR ADDITIONAL FACTORS.
5. WIND LOADS DISPLAYED ARE GENERIC AND MAY NOT REFLECT THE JOBSITE CONDITIONS. IF SITE SPECIFIC WIND LOADS ARE REQUIRED A LICENSED ENGINEER SHALL PREPARE SITE SPECIFIC WIND LOADS FOR USE WITH THIS PRODUCT.
6. REFER TO SHEET 7 FOR A RISK CATEGORY II WIND SPEED MAP PER ASCE 7.

GLASSWAREHOUSE  
**FUTUREGLASS**

1319 ROCKY POINT DRIVE, SUITE 200  
OCEANSIDE, CA 92056  
PH: (760) 536-3640

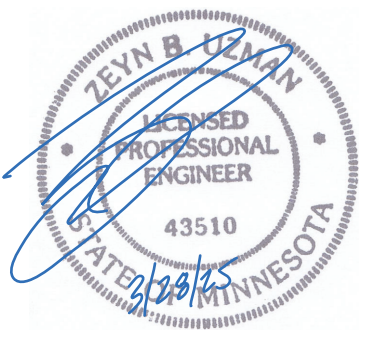
TITLE: DOR-BPRD GLASS SPIGOT RAILING  
ALLOWABLE WIND LOADS PER ASCE 7

PREPARED BY: BUILDING DROPS, INC.  
1900 NE MIAMI COURT, STE. 2-15  
MIAMI, FL 33132  
PH: (954) 399-8478  
FAX: (954) 744-4738  
WEB: www.buildingdrops.com



| REMARKS | BY | DATE |
|---------|----|------|
|         |    |      |
|         |    |      |
|         |    |      |
|         |    |      |

THE INSTALLATION DETAILS DESCRIBED HEREIN ARE GENERIC AND MAY NOT REFLECT ACTUAL CONDITIONS FOR A SPECIFIC SITE. IF SITE CONDITIONS CAUSE INSTALLATION TO DEVIATE FROM THE REQUIREMENTS DETAILED HEREIN, A LICENSED ENGINEER OR ARCHITECT SHALL PREPARE SITE SPECIFIC DOCUMENTS FOR USE WITH THIS DOCUMENT.



BUILDING DROPS, INC.  
1900 NE MIAMI COURT, STE. 2-15  
MIAMI, FL 33132  
FBPE CERT. OF AUTHORIZATION No. 29578

DATE: **11.01.24**

DWG. BY: **SH**      CHK. BY: **HFN**

SCALE: **NTS**

DWG. #: **GLW004**

SHEET: **6**  
OF 7

# WIND SPEED MAP

mph (m/sec.)



GLASSWAREHOUSE  
FUTUREGLASS

1319 ROCKY POINT DRIVE, SUITE 200  
OCEANSIDE, CA 92056  
PH: (760) 536-3640

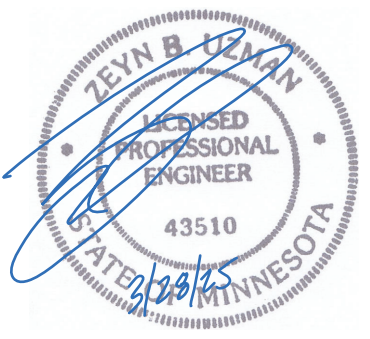
TITLE: DOR-BPRD GLASS SPIGOT RAILING  
WIND SPEED MAP

PREPARED BY: BUILDING DROPS, INC.  
1900 NE MIAMI COURT, STE. 2-15  
MIAMI, FL 33132  
PH: (954) 399-8478  
FAX: (954) 744-4738  
WEB: www.buildingdrops.com



| REMARKS | BY | DATE |
|---------|----|------|
|         |    |      |
|         |    |      |
|         |    |      |

THE INSTALLATION DETAILS DESCRIBED HEREIN ARE GENERIC AND MAY NOT REFLECT ACTUAL CONDITIONS FOR A SPECIFIC SITE. IF SITE CONDITIONS CAUSE INSTALLATION TO DEVIATE FROM THE REQUIREMENTS DETAILED HEREIN, A LICENSED ENGINEER OR ARCHITECT SHALL PREPARE SITE SPECIFIC DOCUMENTS FOR USE WITH THIS DOCUMENT.



BUILDING DROPS, INC.  
1900 NE MIAMI COURT, STE. 2-15  
MIAMI, FL 33132  
FBPE CERT. OF AUTHORIZATION No. 29578

|          |          |
|----------|----------|
| DATE:    | 11.01.24 |
| DWG. BY: | SH       |
| CHK. BY: | HFN      |
| SCALE:   | NTS      |
| DWG. #:  | GLW004   |

SHEET:  
**7**  
OF 7