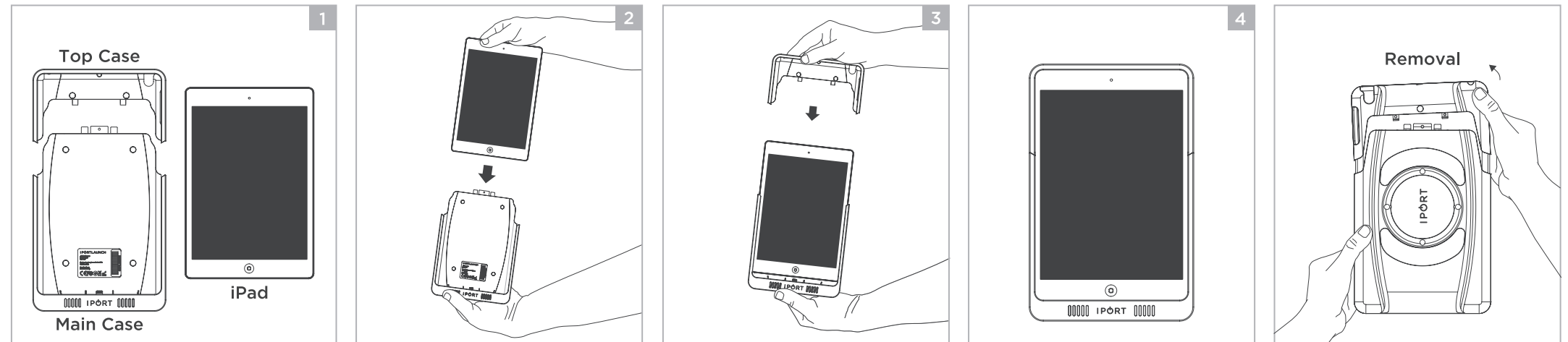
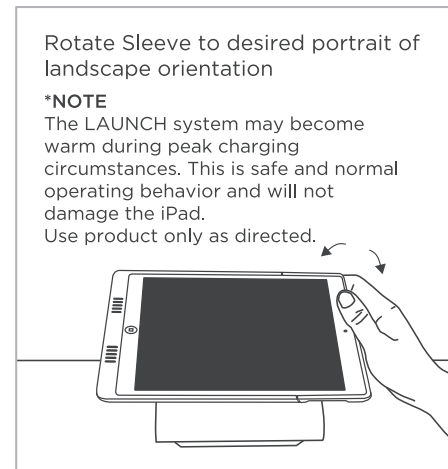
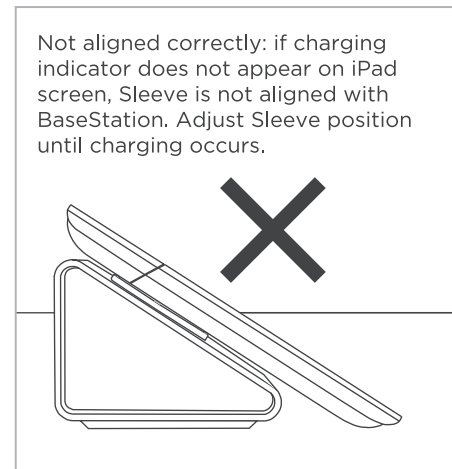
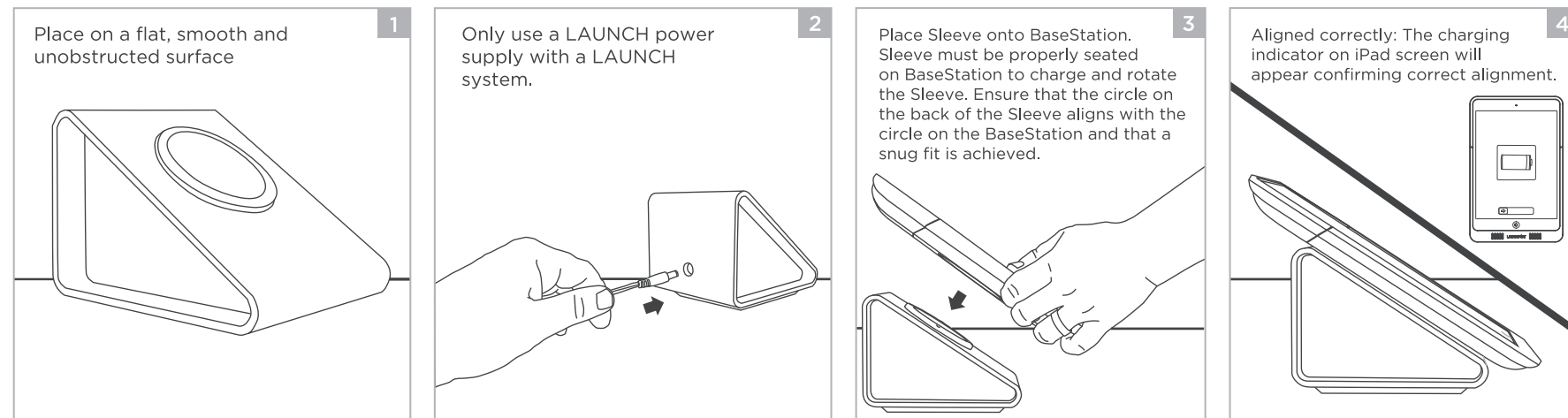


INSTALLATION GUIDE

Case



BaseStation



CAUTION
 This product contains magnets. Do not place in direct proximity with magnetically sensitive objects such as credit cards or exposed hard drives. Persons with pace makers are not recommended to use this product.

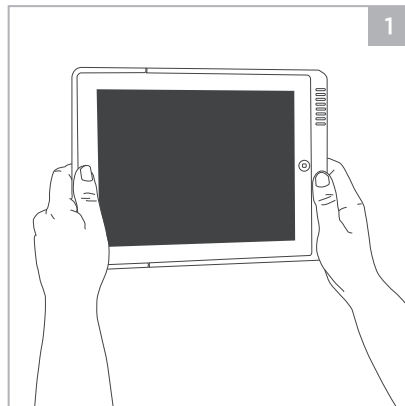
Use of the Made for Apple and Works with Apple badges means that an accessory has been designed to connect specifically to the Apple product(s) identified in the Made for Apple badge and to work specifically with the technology identified in the Works with Apple badge and has been certified by the developer to meet Apple performance standards. Apple is not responsible for the operation of this device or its compliance with safety and regulatory standards. Please note that the use of this accessory with an Apple product may affect wireless performance.

Warranty information at iportproducts.com/warranty

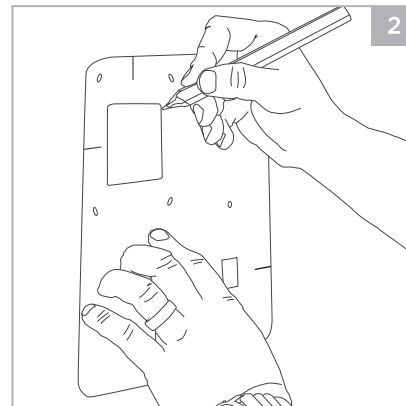
Apple, iPad, iPad Air, iPad Pro and Lightning are trademarks of Apple Inc., registered in the U.S. and other countries.

Case
 BaseStation
 WallStation

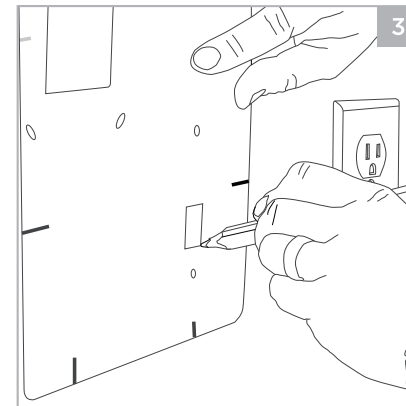
WallStation



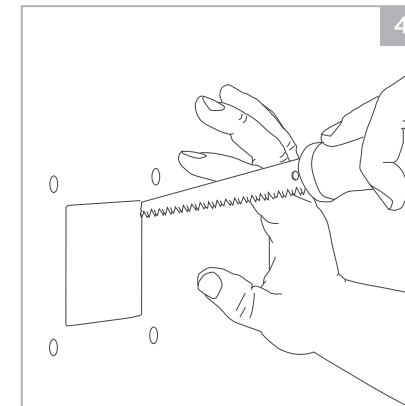
1
Locate ideal mounting area. Mark center lines of Sleeve on wall for reference. Standard height is 62" from floor to center of screen.



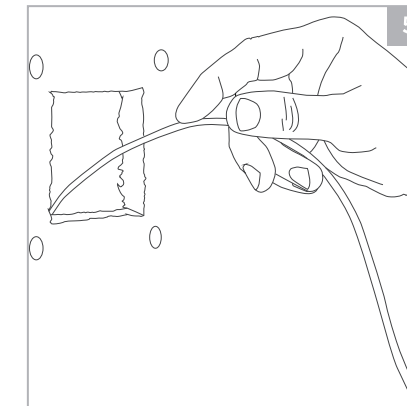
2
Trace cutout and screw locations. Use a stud finder to locate studs. Use a level to ensure a level trace.



3
Locate desired area for wall plate and trace cutout and screw locations.
***NOTE:** Wall plate must be within 2 feet of a power outlet.



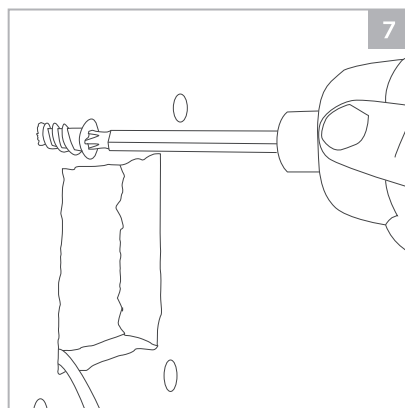
4
Cut opening for WallStation and wall plate using a drywall saw.



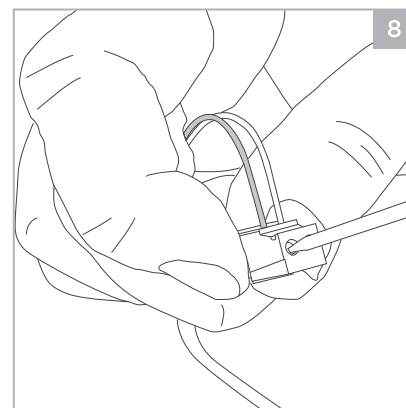
5
Run supplied wire from WallStation cutout to wall plate cutout.
***NOTE:** If wiring over 6 feet of distance refer to Wire Sizing Chart below.



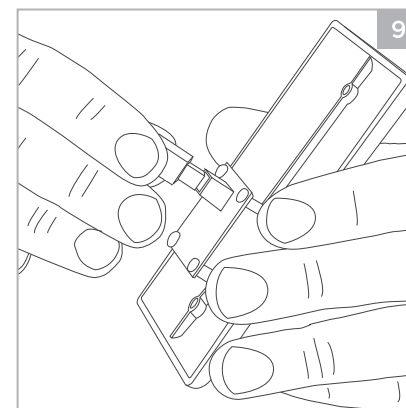
6
Receive wire through wall plate cutout. ***NOTE:** For help going through a fire block refer to: iportproducts.com



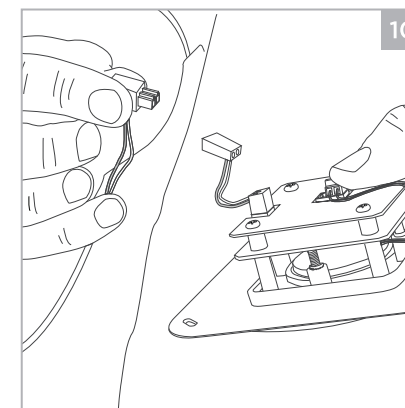
7
Using a screwdriver, install the anchors for the WallStation and wall plate.
***NOTE:** For best results pre-drill holes.



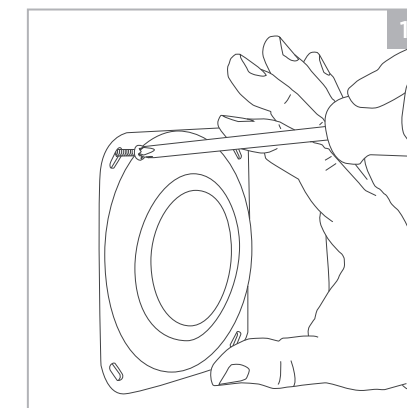
8
Attach connectors to both ends of the wire. Wires must be installed in exactly the same orientation on both connectors.



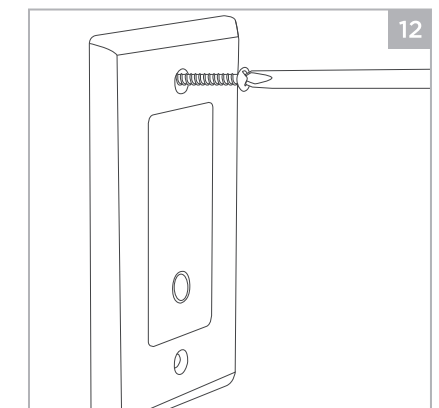
9
Plug connector into wall plate.



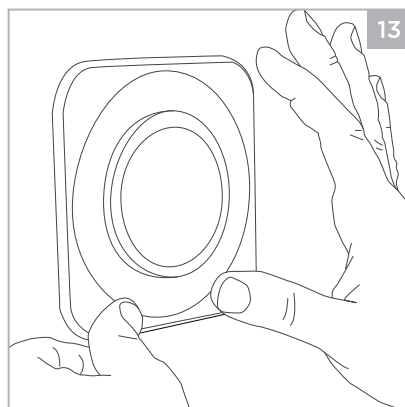
10
Plug connector into WallStation.



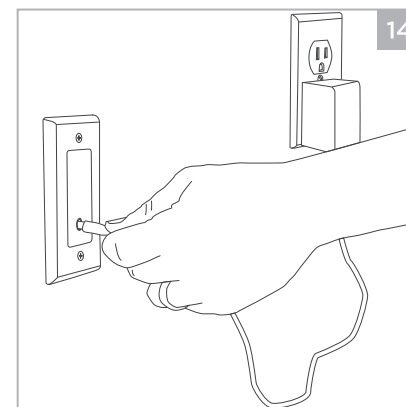
11
Attach WallStation to the wall using supplied screws.



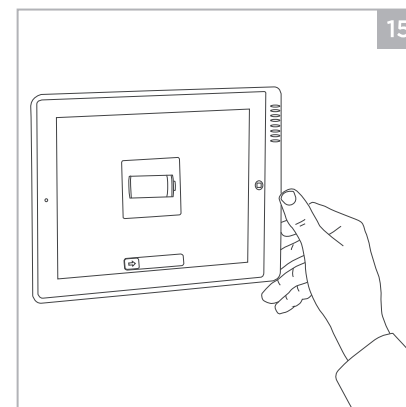
12
Mount wall plate on wall using supplied screws.



13
Attach fascia to WallStation.



14
Plug power adapter into electrical receptacle and plug power adapter DC plug into wall plate. Only use a LAUNCH power supply with a LAUNCH system.



15
The WallStation is ready to use. Enjoy!
***NOTE:** The LAUNCH system may become warm during peak charging circumstances. This is safe and normal operating behavior and will not damage iPad.

TOOLS REQUIRED

Drywall Saw
#2 Phillips Screwdriver
Level
Measuring Tape
1.5mm Slotted Screwdriver

RECOMMENDED TOOLS

Stud Finder
Wire Fishing Tool

Power Supply: Input: 100-240V ~ 50/60Hz 1000mA
Output: 15.0V=2000mA

BOX CONTENTS

WallStation Assembly
WallStation Fascia
Wall Plate
Power Supply
Cut-out Template
6 ft. 18 AWG Electrical Wire
6 Drywall Anchors
Mounting Screws for WallStation
Mounting Screws for Wall Plate

WIRE SIZING CHART

Max Length	Gauge
25'	24 AWG
40'	22 AWG
60'	20 AWG
100'	18 AWG
150'	16 AWG

*Additional wire not included



Turn off power to eliminate risk of shock during installation. Watch the installation video at iportproducts.com
Before Installation: Ensure selected wall for installation is free of Plumbing, Electrical lines, or any other obstructions. Do not install on any non vertical surface.
For Advanced Installation: Contact a licensed electrician, handyman or find a custom installer in your area at Cedia.org