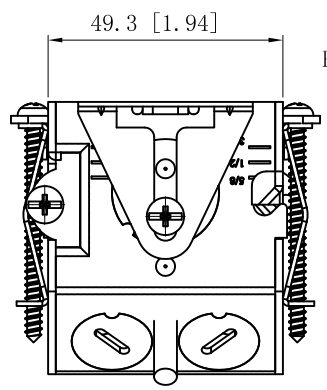
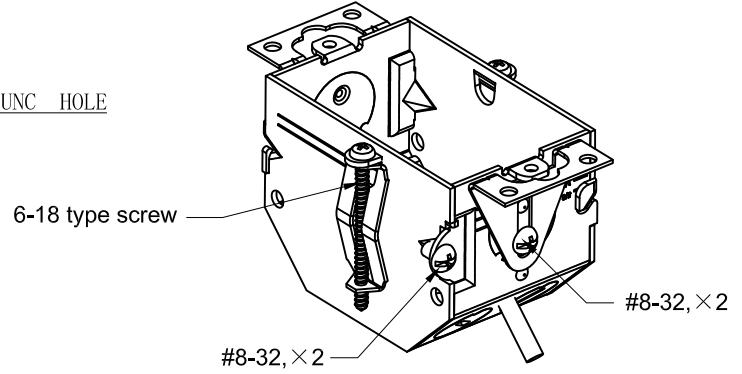
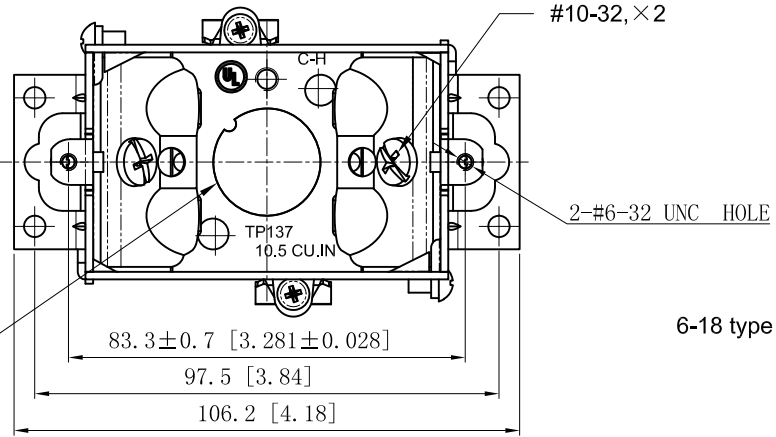
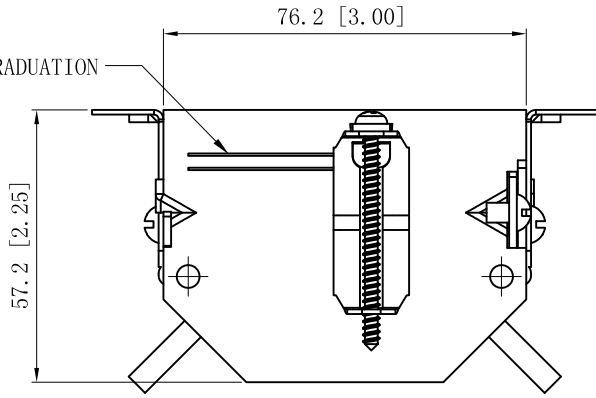


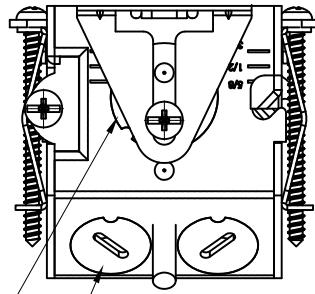
SIDES	BOTTOM
2 1/2" KNOCKOUTS	1/2" KNOCKOUTS
	4 KNOCKOUTS
2pcs #8-32×5/32 screws zinc plated	
2pcs #8-32×3/16 screws zinc plated	
2pcs #10-32×7/8 screws zinc plated	
2pcs #6-18×1 7/8 Tapping screws zinc plated	
Material: Steel-0.0625"-G60 Galvanized	



PUNCHING GRADUATION



2 1/2" KNOCKOUTS  $\phi=22.5$  [ $\phi=0.89$ ] MIRROR  
 4 KNOCKOUTS  $\phi=16.9$  [ $\phi=0.67$ ] MIRROR



This data sheet is for reference only .GARVIN INDUSTRIES reserves the right to make changes to the design without prior notice.

DESCRIPTION
TRADE REFERENCE TERMS

STANDARD PACKING
50 PCS

<h1>GARVIN INDUSTRIES</h1>		
TITLE		
SIZE	DWG NO.	REV
A4	G601BVROW	
DATA SHEET		