



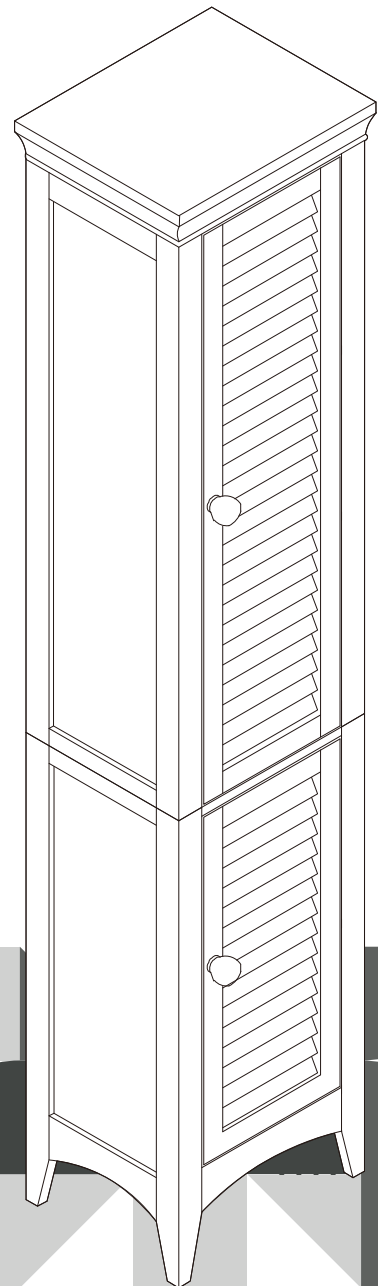
**Extended Warranty
Sign Up**

E-1

Welcome home!

ELG-588

**TEAMSON HOME
Glancy Two Shutter Doors
Wooden Tall Tower Storage
Cabinet White**





**Questions? Comments? Need help?
Call or email us any time!**

Global Customer Service

USA

+1(800)935-3959

Mon - Fri 10:00am ~ 2:00pm EST
✉ support@teamson.com

EU/UK

+44(0)1952-916-050

Mon - Thu 9:00am ~ 5:00pm GMT
Friday 9:00am ~ 4:00pm GMT
✉ support@teamson.co.uk

ASIA

深圳办公室:

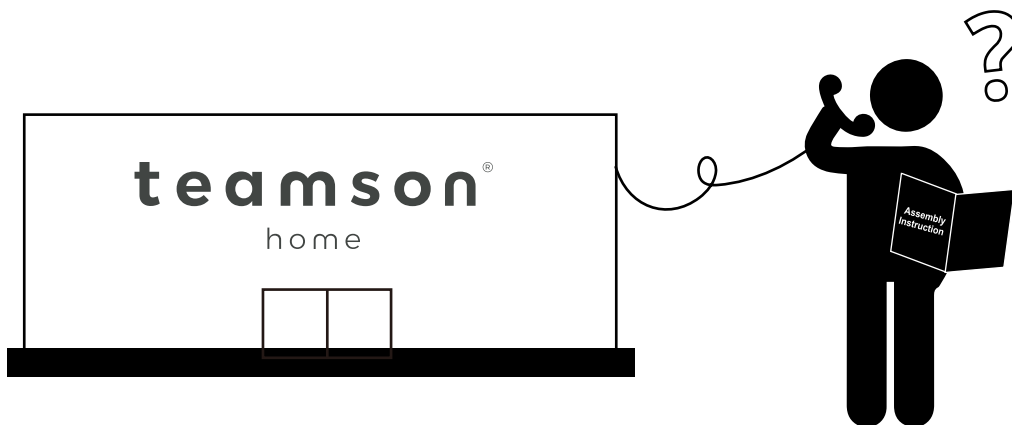
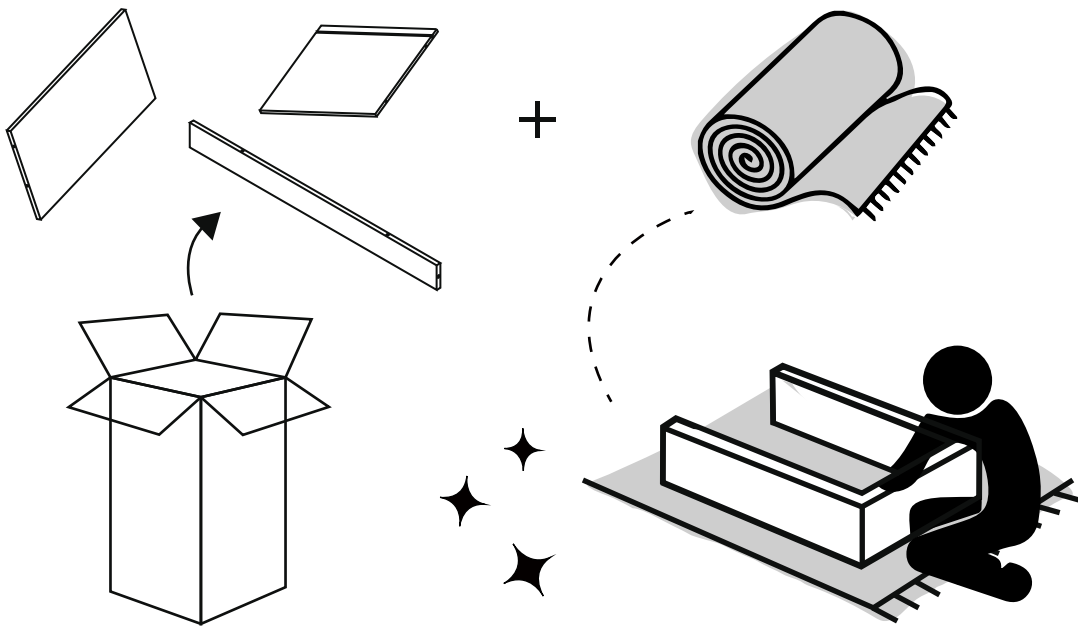
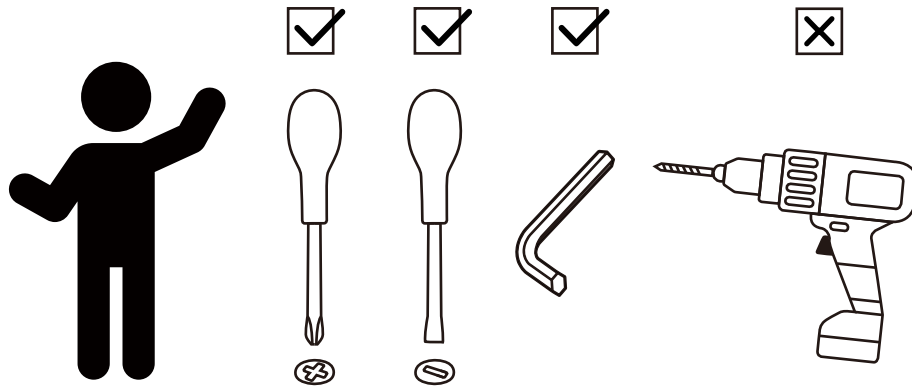
+86(0755)8885-3558.分机号331

Mon - Sat 9:00am ~ 5:00pm GMT+8
✉ sales_ec@teamson.com

台北办公室:

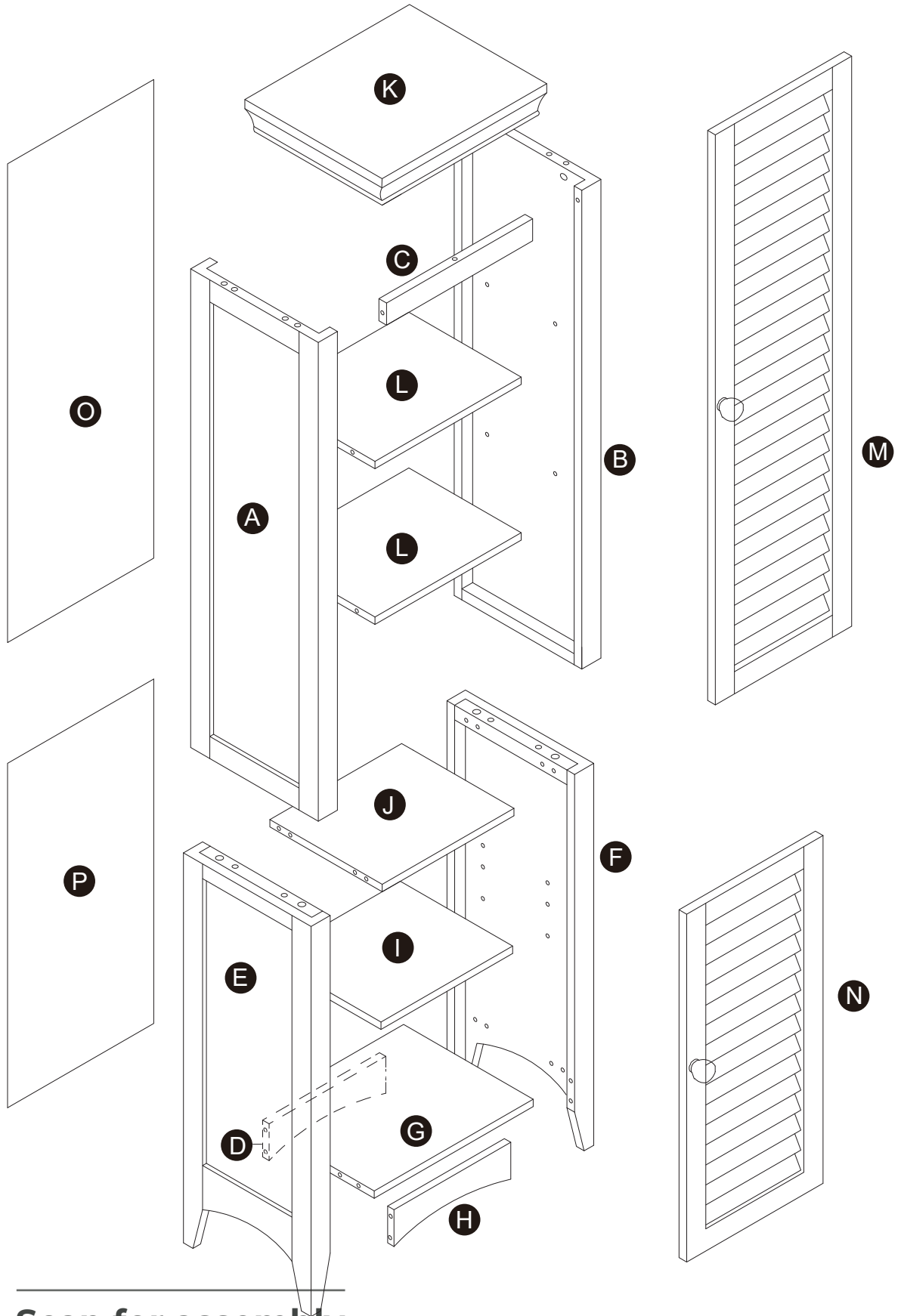
+886(2)2556-6268

Mon - Fri 9:00am ~ 5:00pm GMT+8
✉ sales_ec@teamson.com



** Got questions? Please have your product code (on the first page of this instruction, e.g. TD-12345A) and the order number ready, give us a call or email us through our customer care support! We are always ready to assist you!

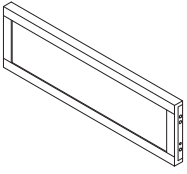
Exploded Drawing



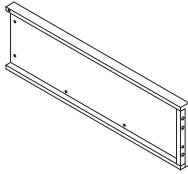
Scan for assembly instructions.

Product Parts

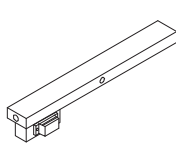
A



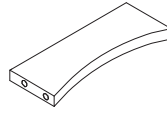
B



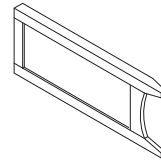
C



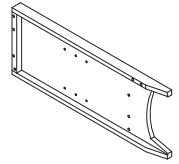
D



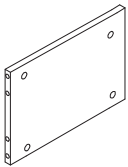
E



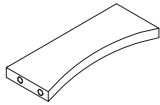
F



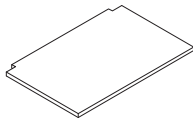
G



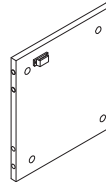
H



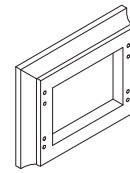
I



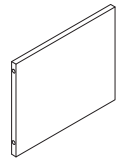
J



K

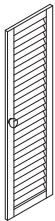


L

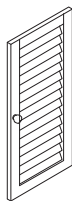


2 pcs

M



N



O



P



! Care Instructions

Dust surface with a dry soft cloth. Do not use window cleaners or cleaning abrasives as they will scratch the surface and could damage the protective coating

! WARNING

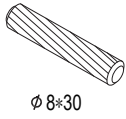
Small parts and sharp edges may be present prior to assembly.



Scan for assembly instructions.

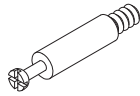
Hardware

1

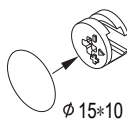


34 pcs

2



3



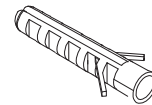
12 pcs

4

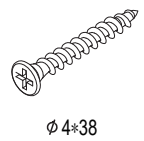


4 pcs

5



6



3 pcs

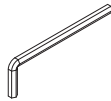
7



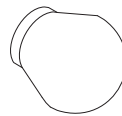
8



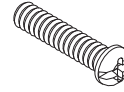
9



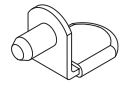
10



11



12

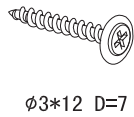


13



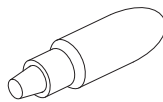
8 pcs

14



20 pcs

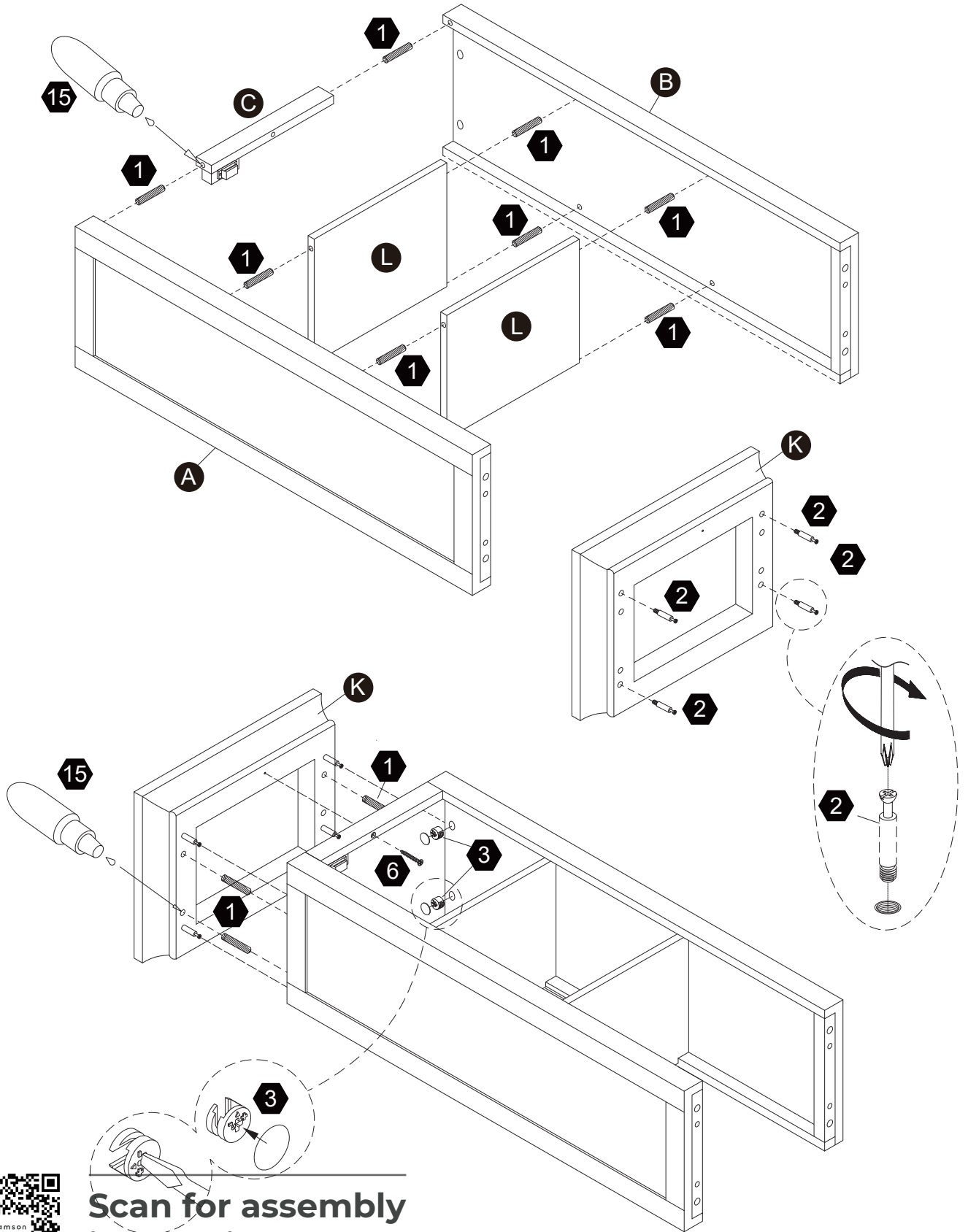
15



Scan for assembly instructions.


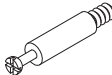
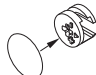
Step 1

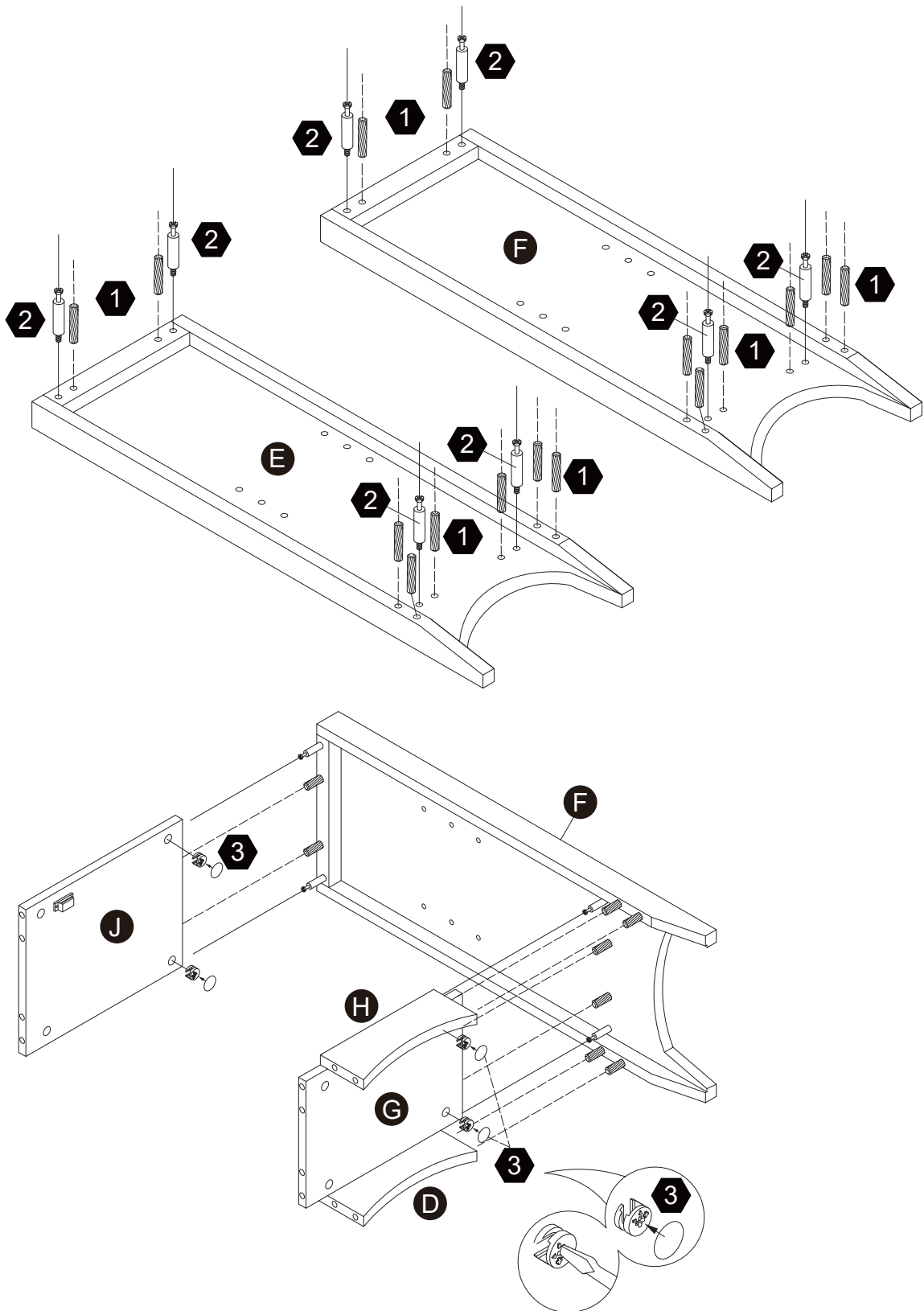
- 1 $\phi 8 \times 30$ 14 pcs
- 2 4 pcs
- 3 4 pcs
- 6 $\phi 4 \times 38$ 1 pc
- 15 1 pc



Scan for assembly instructions.

Step 2

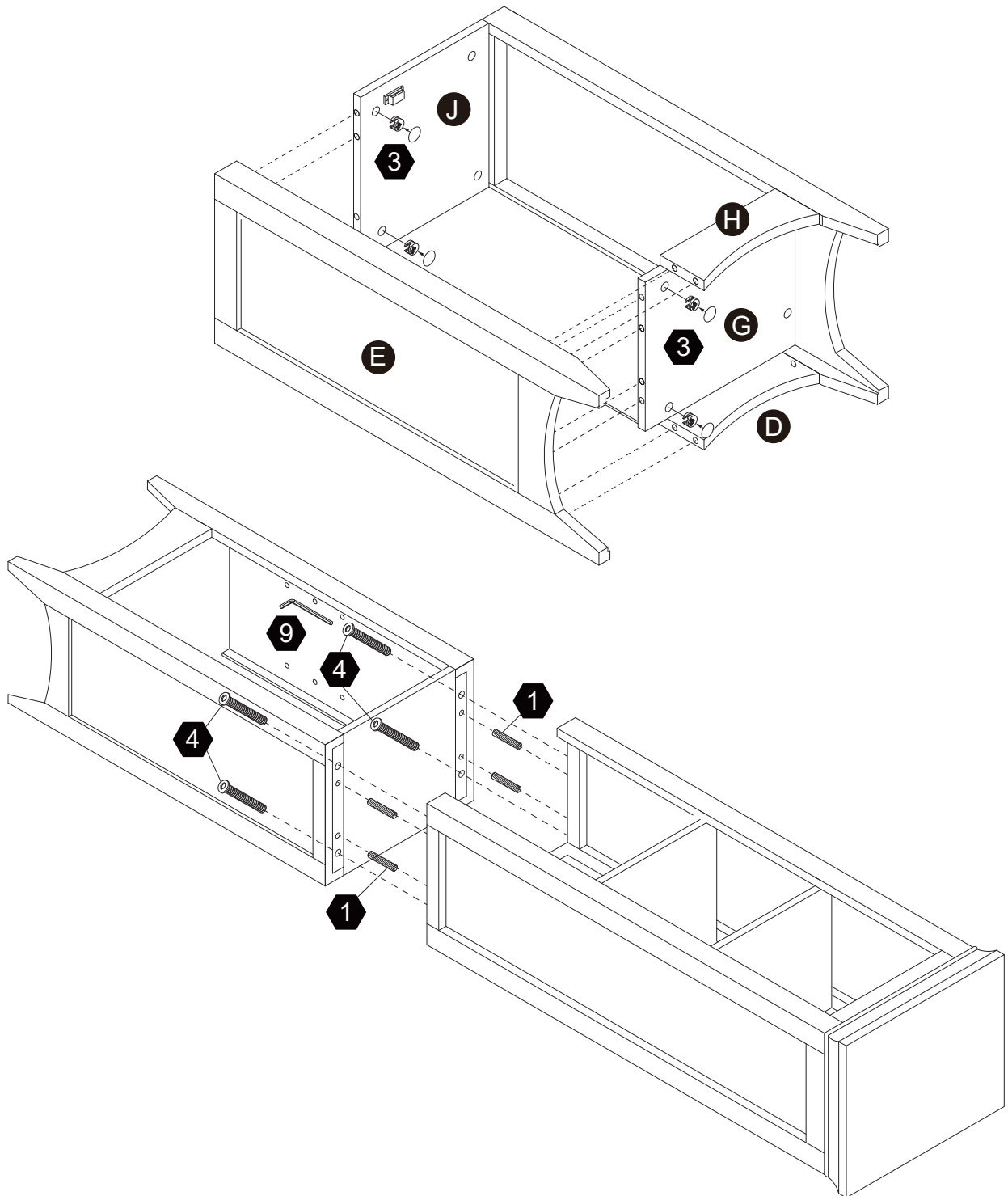
- 1**  16 pcs $\phi 8 \times 30$ **2**  8 pcs **3**  4 pcs



Scan for assembly instructions.


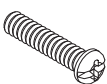
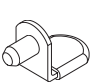
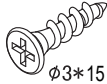
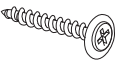
Step 3

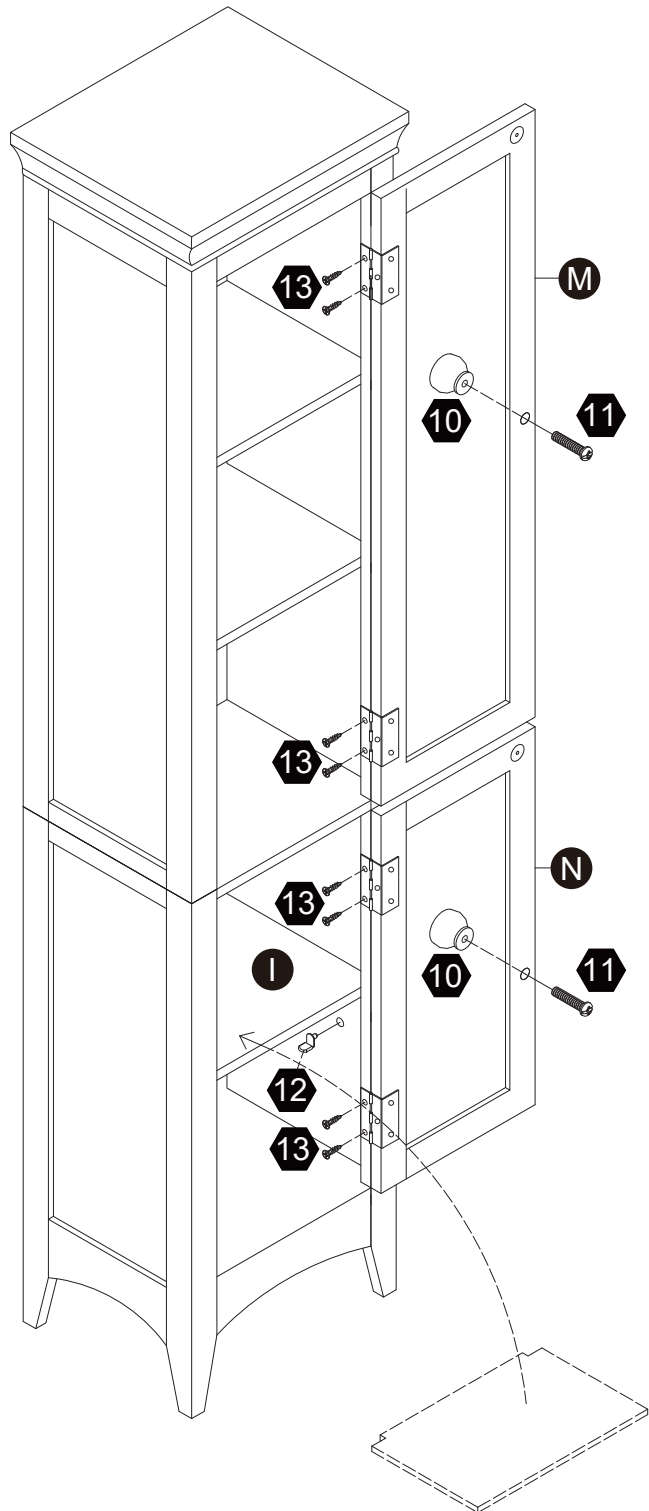
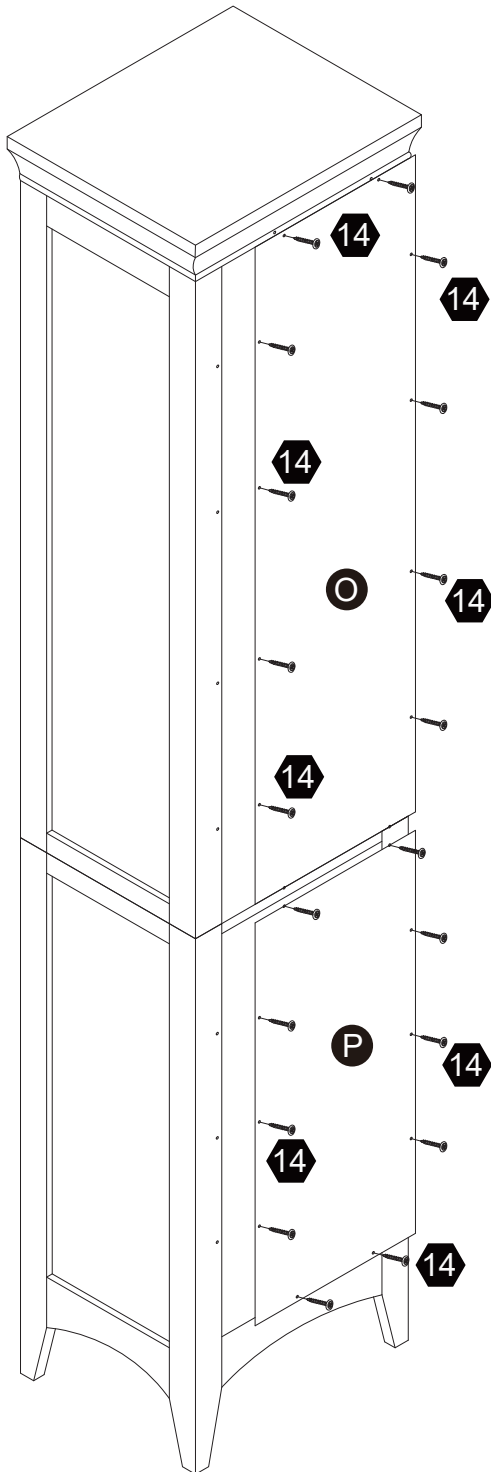
- 1**  $\phi 8 \times 30$ 4 pcs
- 3**  4 pcs
- 4**  4 pcs
- 9**  1 pc



Scan for assembly instructions.

Step 4

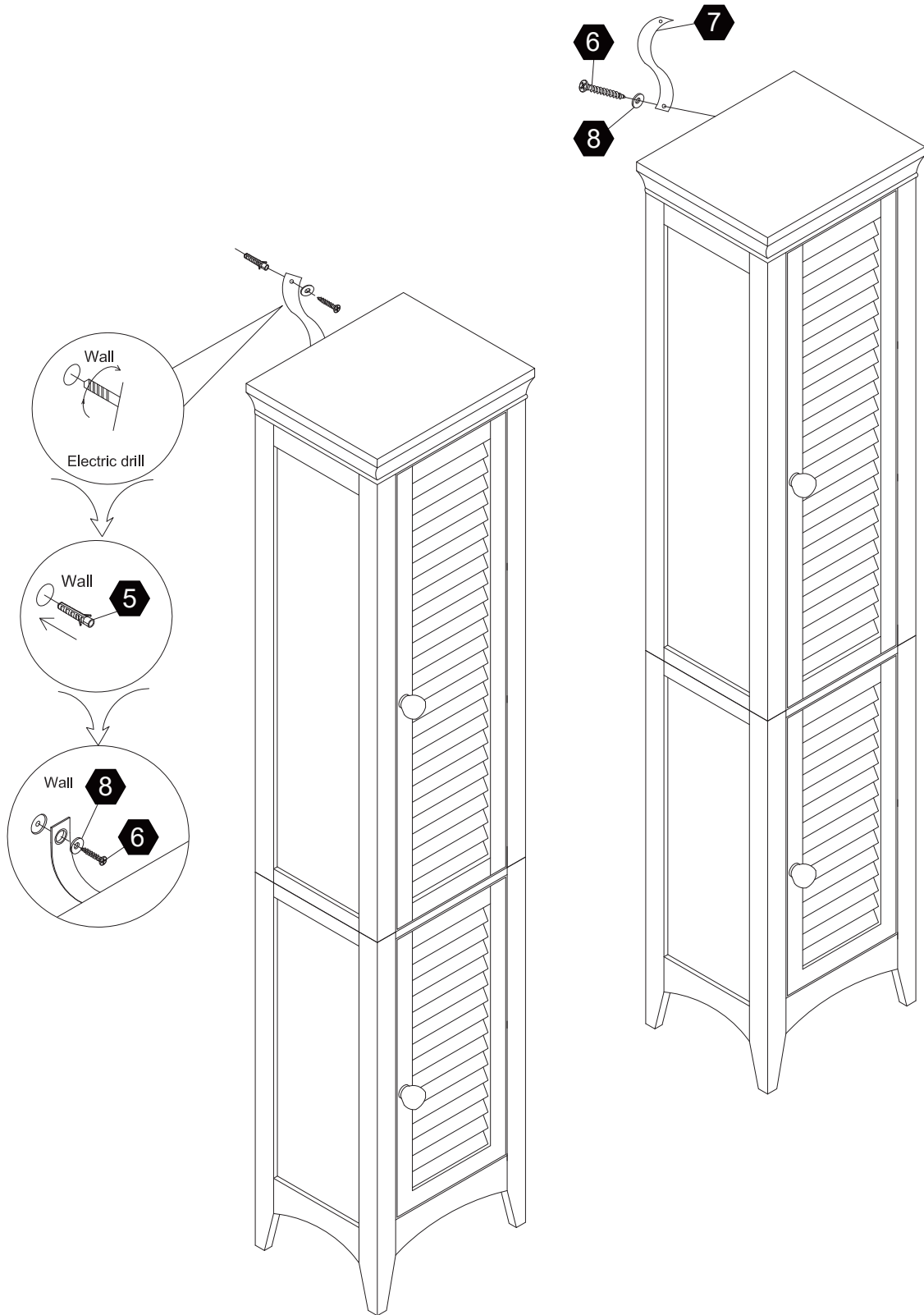
- 10  2 pcs
- 11  2 pcs
- 12  4 pcs
- 13  8 pcs
- 14  20 pcs
 $\phi 3 \times 12$ D=7



Scan for assembly instructions.

Step 5

- 5  1 pc
- 6  2 pcs $\varnothing 4 \times 38$
- 7  1 pc
- 8  2 pcs



Scan for assembly instructions.