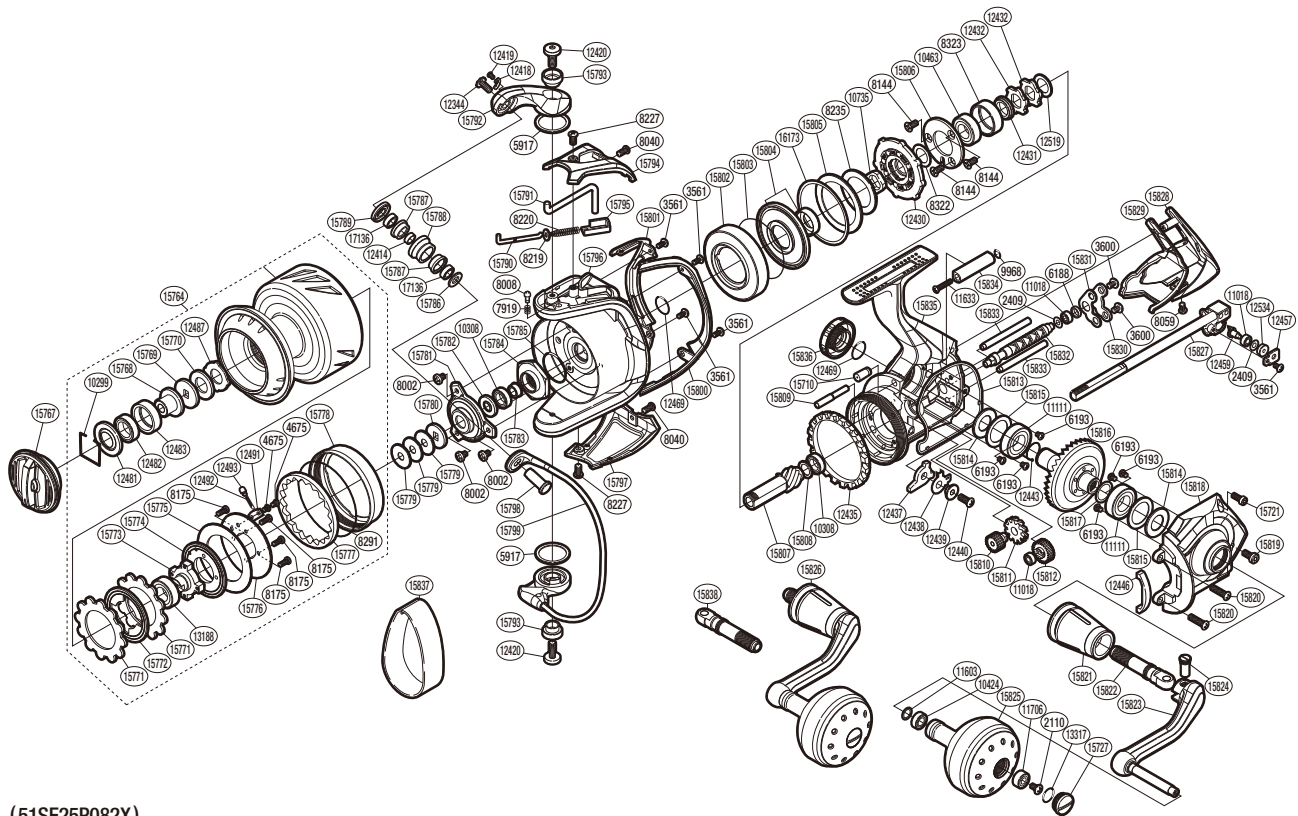


SHIMANO

STELLA

STLSW-8000HG



(51SE25P082X)

#	Part No.	Description	#	Part No.	Description	#	Part No.	Description
2110	103E9	Screw	12457	10H7R	Oscillating Pawl Cover	15797	10MN8	Bail Hold Support Guard
2409	1059U	Washer	12459	106V5	Oscillating Pawl	15798	10Q3F	Line Roller Support
3561	10MT4	Screw	12469	108WP	O Ring	15799	106ZA	Bail Assembly
3600	103L4	Screw	12481	10LQZ	Seal Plate	15800	1074A	Rotor Guard A
4675	10LV7	Screw	12482	10KX7	Ball Bearing	15801	107AF	Rotor Guard B
5917	10HDP	Washer	12483	10LWS	Thrust Bushing	15802	10HFY	Roller Clutch Cover
6188	10CJW	Worm Shaft Ring	12487	10BEB	Eared Washer	15803	10MLQ	O Ring
6193	10MGG	Screw	12491	109ZN	Click Spring Holder	15804	10QRN	Roller Clutch Water Proof Set
7919	1077Q	Click Spring	12492	10JMG	Click Spring	15805	10HG0	Roller Clutch Seal
8002	10LZ2	Screw	12493	10382	Click Pin	15806	10592	Bearing Retainer
8008	10CH8	Click Pin	12519	10HHP	Washer	15807	10BYP	Pinion Gear
8040	10MHG	Screw	12534	10JV4	Oscillating Slider Bushing	15808	10GFD	Washer
8059	10L9D	Screw	13188	10BGD	Ball Bearing	15809	10CL7	Idle Gear B Shaft
8144	10ML2	Screw	13317	10LAB	O Ring	15810	106RF	Idle Gear B S
8175	10LVP	Screw	15710	10AYR	Body Flange Seal	15811	10CNL	Idle Gear B L
8219	10HD9	Spring Guide A Support	15721	10A6N	Screw	15812	10HBL	Idle Gear
8220	105FY	Bail Spring	15727	10B2B	Handle Knob Seal	15813	10CD8	Body Seal
8227	10CYT	Screw	15764	10HQC	Spool Assembly	15814	10CD2	Bearing Water Proof
8235	10L5Y	Roller Clutch Reinforce	15767	102E4	Drag Knob	15815	10BGG	Washer
8291	108WD	O Ring	15768	10LWK	Bearing Support	15816	10A9D	Drive Gear
8322	10HHM	Washer	15769	10BC5	Key Washer	15817	105U4	Washer
8323	10JA8	Bearing Housing	15770	10344	Drag Washer	15818	1049G	Side Cover
9968	108W9	O Ring	15771	10C19	Drag Washer	15819	10PVM	Screw
10299	10B6K	Drag Washers Retainer	15772	10BS8	Spool Drag Disk	15820	10PVN	Screw
10308	104PN	Ball Bearing	15773	10LTY	Bearing Bushing	15821	10NHE	Handle Shaft Cover
10424	105BN	Ball Bearing	15774	10BY4	Spool Drag Disk	15822	10F8C	Handle Shaft (Left)
10463	10BGC	Ball Bearing	15775	10JPK	Bearing Water Proof	15823	106SE	Handle Shank Assembly
10735	105B6	Stopper	15776	109M3	Drag Plate Washer	15824	10A9U	Handle Shaft Screw
11018	10PDA	Ball Bearing	15777	109ZQ	Drag Click Ratchet	15825	10446	Handle Knob
11111	104PV	Ball Bearing	15778	10C1M	Drag Cover	15826	10HLF	Handle Assembly
11603	10HV3	Washer	15779	10BXW	Spool Washer	15827	10NF2	Main Shaft Assembly
11633	10LSC	Screw	15780	103MW	Spool Support	15828	10NKP	Rear Protector
11706	10KX1	Ball Bearing	15781	10K30	Nut Lock Plate	15829	107HF	Rear Shield
12344	10K46	Screw	15782	107F6	Bearing Water Proof	15830	10AT7	Worm Shaft Retainer
12414	10GAG	Bearing Spacer	15783	1072S	Main Shaft Spacer	15831	10H46	Worm Shaft Retainer Washer
12418	107LE	Screw Retainer	15784	1080Z	Rotor Nut	15832	10820	Worm Shaft
12419	107LF	Screw Support	15785	10CG0	O Ring	15833	1035D	Oscillating Guide
12420	10Q86	Screw	15786	107F1	Line Roller Support Collar	15834	10AYL	Rear Protector Collar
12430	10QRF	Roller Clutch Assembly	15787	107RM	Line Roller Bushing	15835	1034T	Body
12431	10BAD	Pinion Gear Collar	15788	10KUU	Line Roller	15836	10N43	Handle Screw Cap
12432	107VL	Anti-Reverse Ratchet	15789	1079Z	Line Roller Plate	16173	10GHG	Washer
12435	104FX	Friction Ring	15790	105YX	Bail Spring Guide A	17136	104K5	Ball Bearing
12437	10J3R	Assist Anti-Reverse Pawl	15791	106KH	Bail Trip Lever			
12438	102VH	Anti-Reverse Pawl Cover	15792	10KHA	Bail Arm			
12439	10J3U	Anti-Reverse Pawl Collar	15793	10K7M	Screw Collar			
12440	103HM	Screw	15794	1087V	Bail Spring Cover	15837	109UW	Line Band M (Accessory)
12443	10804	Anti-Reverse Pawl Spring	15795	1077M	Bail Spring Seat	15838	10FHU	Handle Shaft (Right) (Accessory)
12446	10J3K	Friction Ring Spacer	15796	10PY3	Rotor	16003	10LQ1	Srsr-01 Oil (Accessory)

Please note that the number of adjusting washers may not be the same as shown in the exploded views. (Adjustment will vary with each individual product.)

(241211)_002