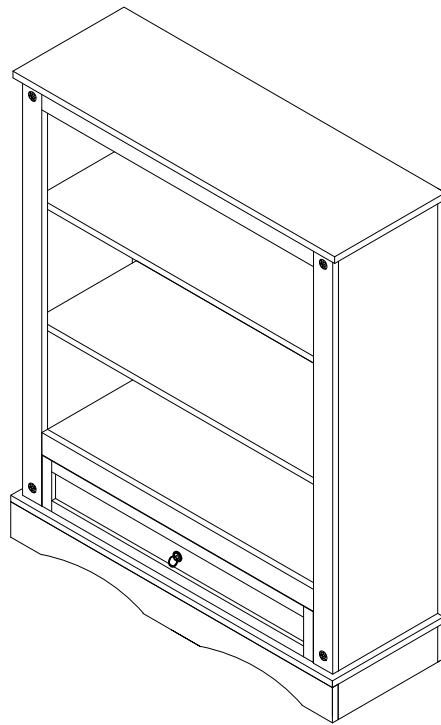


ASSEMBLY INSTRUCTIONS

Simplicity - 4 Shelves with Drawer



Please provide the following information when contacting for parts or questions: the name of the company you purchased from, the purchase order number, and the original order date.

This product comes with a 1 year warranty. Products purchased second hand/used are not covered under the warranty.

ASSEMBLY INSTRUCTIONS-IMPORTANT

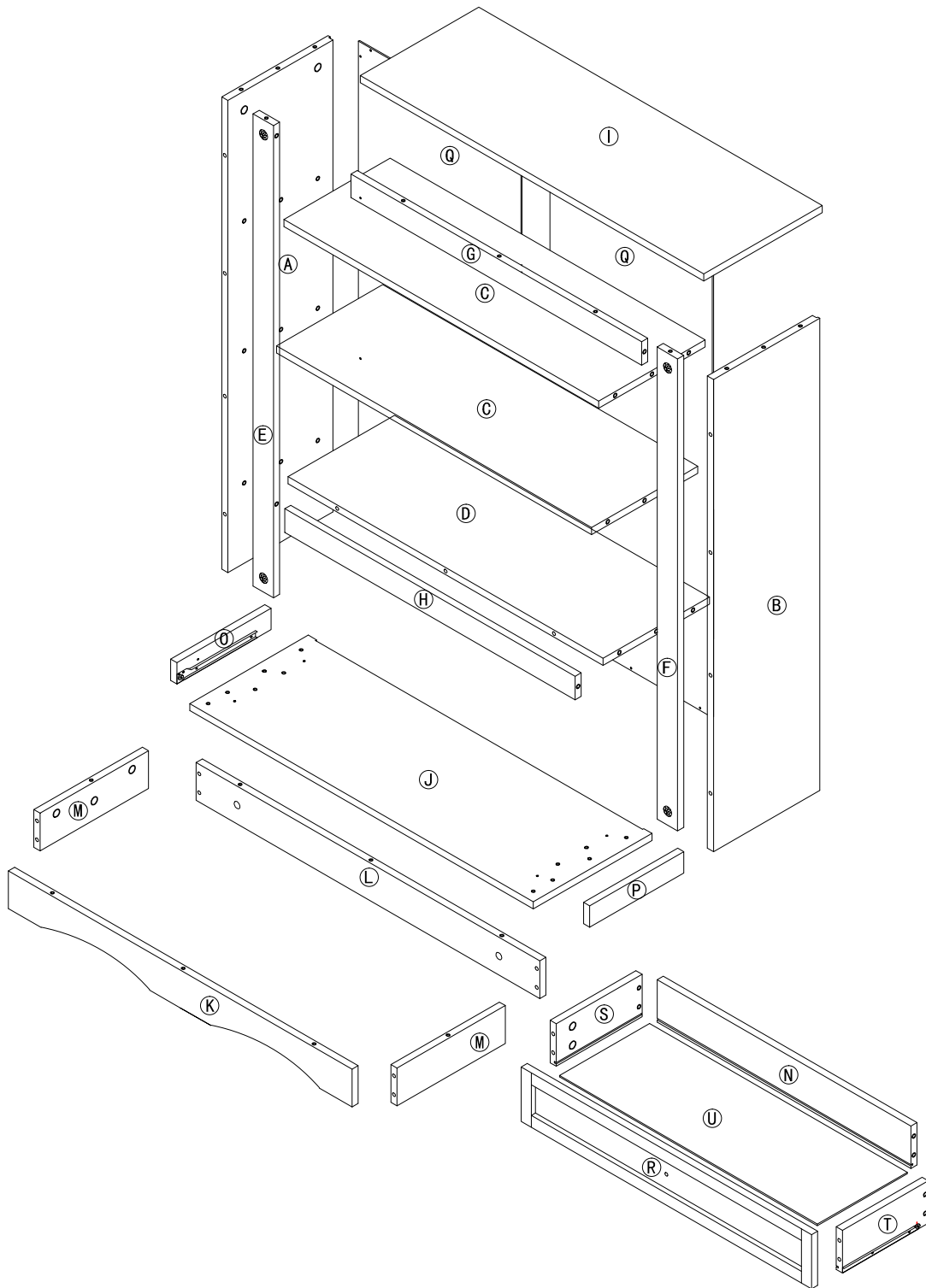
Carefully unpack & identify each component before attempting to assemble. Refer to parts list. Please take care when assembling the unit and always set the parts on a clean, soft surface. If you require any assistance with assembly, parts, please call the company you place order with or please email to: service@eleganthf.net

INSTRUCCIONES PARA ARMAR-IMPORANT:



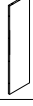
















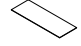

Desempaque cuidadosamente e identifique cada componente antes de tartar de empezar su ensambladura. Verifique la lista de partes. Por favor tenga cuidado cuando arme la unidad y siempre coloque las piezas sobre una superficie plana, suave y limpia. Si necesita ayuda con el armado, envíe un correo electzórico a service@eleganthf.net

DIRECTIVES DE MONTAGE-IMPORTANT:

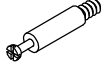


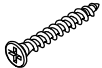
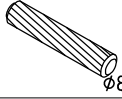



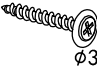

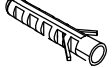
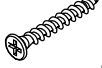
Avant de commencer l' assemblage, déballez délicatement toutes les pièces et repérez-les sur la liste des pièces. Procédez avec soins durant l' assemblage et posez toujours les pièces sur une surface proper, douce et lisse. sie vouo plait e-mail á service@eleganthf.net



COMPONENTS

PART	FIGURE	DESCRIPTION	QTY	PART	FIGURE	DESCRIPTION	QTY
A		LEFT SIDE PANEL	1PC	L		BOTTOM BACK RAIL	1PC
B		RIGHT SIDE PANEL	1PC	M		BOTTOM SIDE RAIL	2PCS
C		FIX SHELF	2PCS	N		DRAWER BACK PANEL	1PC
D		FIX SHELF	1PC	O		LEFT DRAWER RAIL	1PC
E		LEFT SIDE RAIL	1PC	P		RIGHT DRAWER RAIL	1PC
F		RIGHT SIDE RAIL	1PC	Q		BACK PANEL	2PCS
G		UPPER RAIL	1PC	R		DRAWER FACE	1PC
H		BOTTOM RAIL	1PC	S		DRAWER LEFT SIDE PANEL	1PC
I		TOP PANEL	1PC	T		DRAWER RIGHT SIDE PANEL	1PC
J		BOTTOM PANEL	1PC	U		DRAWER BOTTOM PANEL	1PC
K		BOTTOM FRONT RAIL	1PC				

HARDWARE & TOOLS

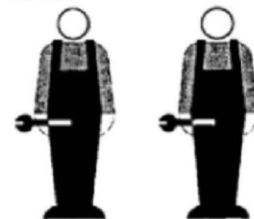
PART	FIGURE	DESCRIPTION	QTY	PART	FIGURE	DESCRIPTION	QTY
1		CAM BOLT	43PCS	7		FIX BELT	1PC
2	 ø15*12	CAM LOCK	43PCS	8	 ø4*25	SCREW	2PCS
3	 ø8*30	WOODEN DOWEL	29PCS	9		WASHER	2PCS
4	 ø6*50	BLUNT SCREW	4PCS	10		KNOB	1PC
5	 ø3*12 D=7	SCREW	22PCS	11	 ø4*14	KNOB BOLT	1PC
6		ANCHOR	1PC	15	 ø4*25	SCREW	8PCS

TOOL NEEDED:



**PHILIPS SCREWDRIVER REQUIRED
- NOT INCLUDED**

SUGGESTION:



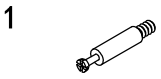
TWO PEOPLE FOR ASSEMBLING



WARNINGS:

1. DO NOT LET ANY SHARP OBJECTS TOUCH OR RUB THE SURFACE OF THE PRODUCT.
2. WHEN ASSEMBLING, DO NOT LET CHILDREN PLAY AROUND THE WORKING AREA.
3. PLEASE CONFIRM ALL PARTS ARE CORRECT BEFORE STARTING THE ASSEMBLY PROCESS.
4. DO NOT TIGHTEN ALL BOLTS AND SCREWS COMPLETELY UNTIL THE ENTIRE UNIT HAS BEEN ASSEMBLED AND SET UP.

1



12 PCS

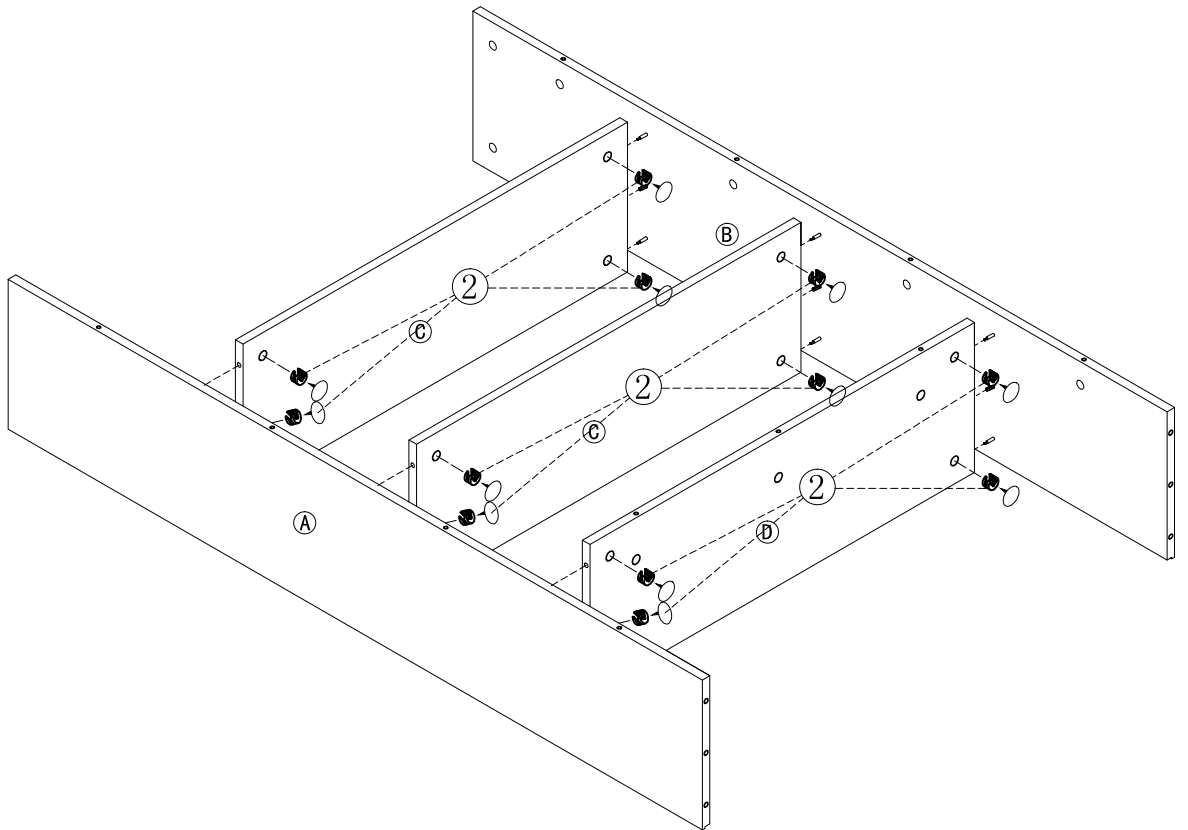
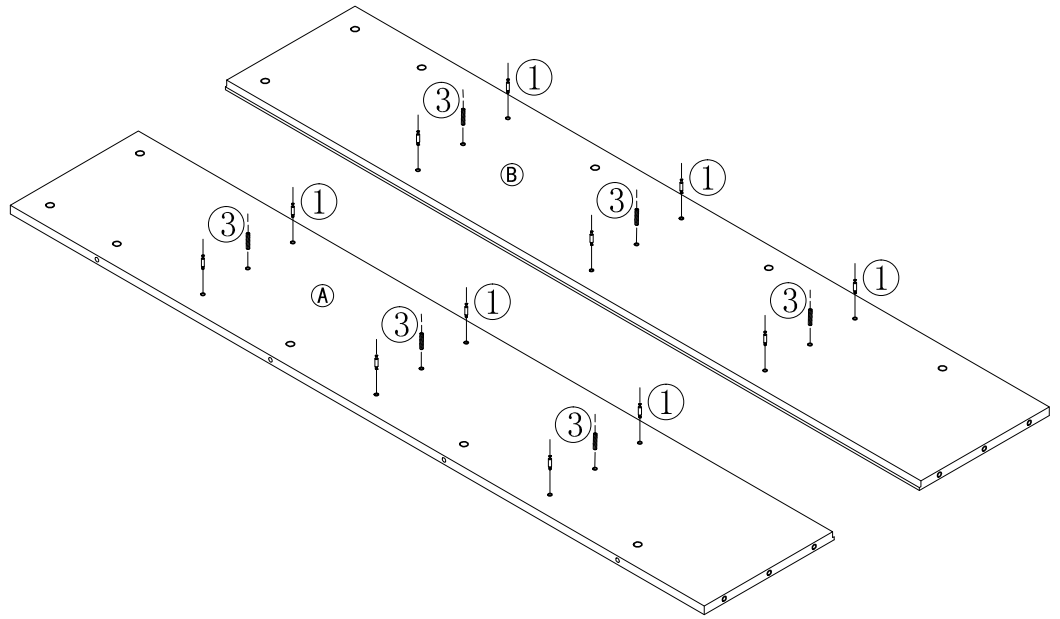


12 PCS

∅15*12



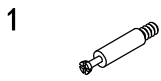
6 PCS



STEP 1:

1. Screw cambolts (1) and insert dowels (3) in panels A & B.
2. Attach panels C & D to panel A& B and secure with camlocks (2).

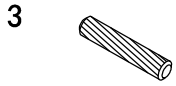
2



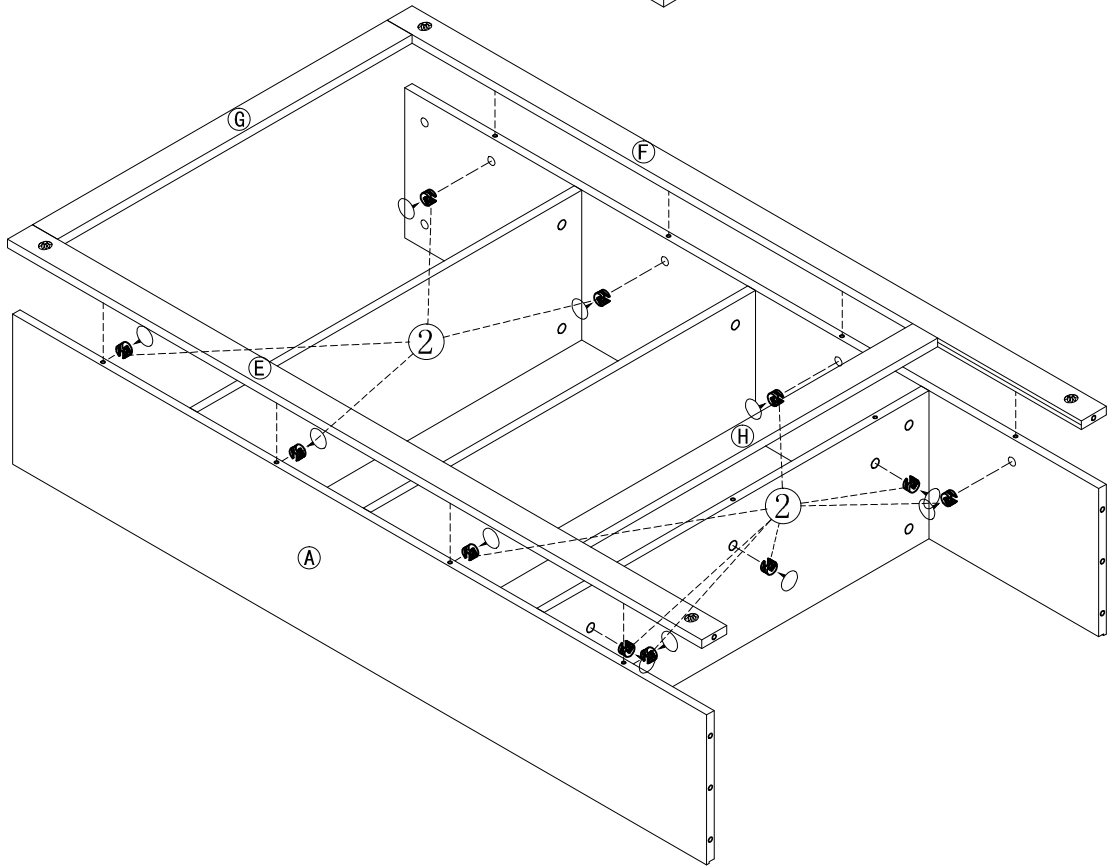
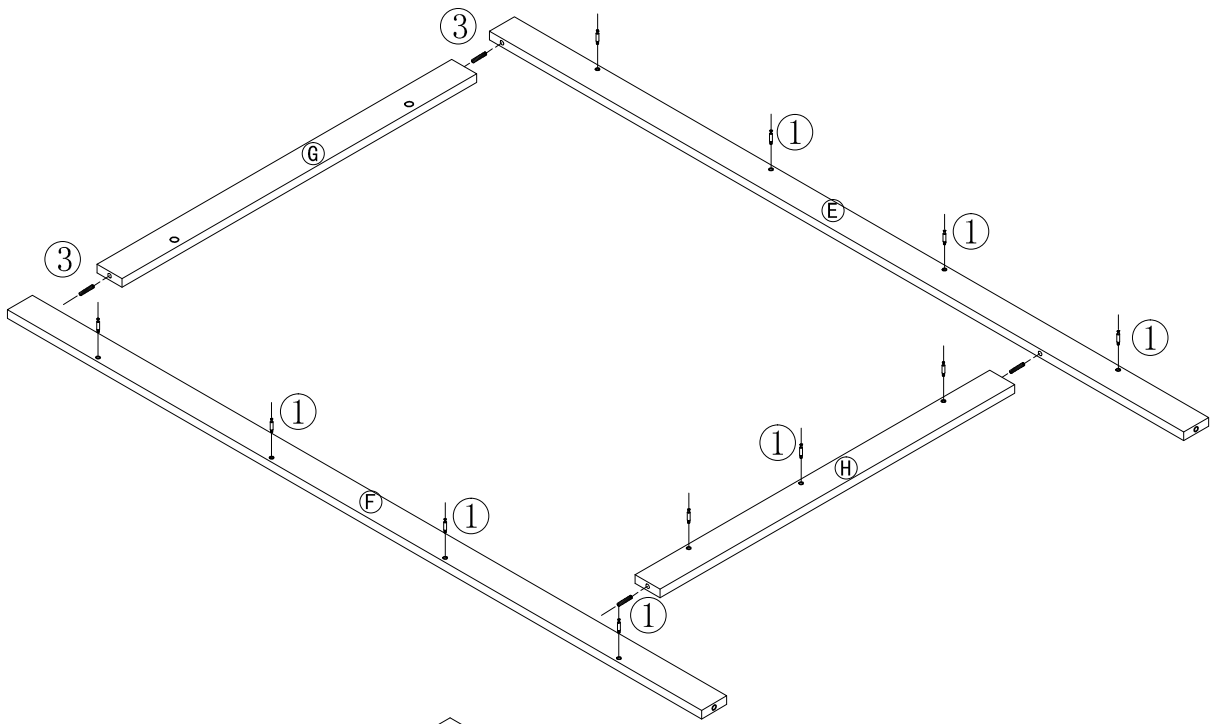
11 PCS



11 PCS $\phi 15 \times 12$



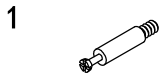
4 PCS



STEP 2:

1. Screw cambolts (1) in rails E, F & H.
2. Attach rail G,H to part E & F with dowels (3).
3. Attach rails E,F & H to panel A, B & D and secure with camlocks (2).

3



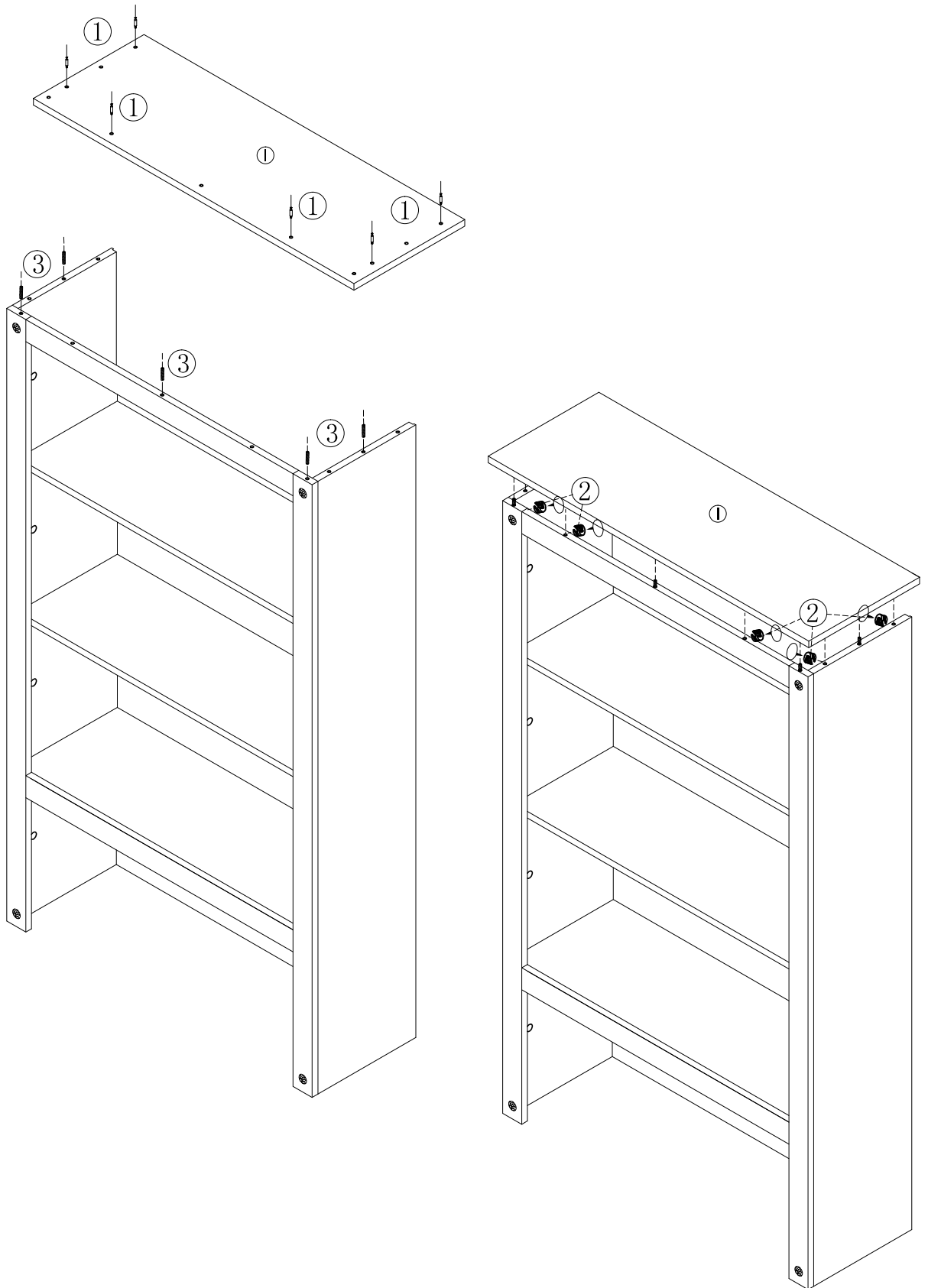
6 PCS



6 PCS $\phi 15 \times 12$



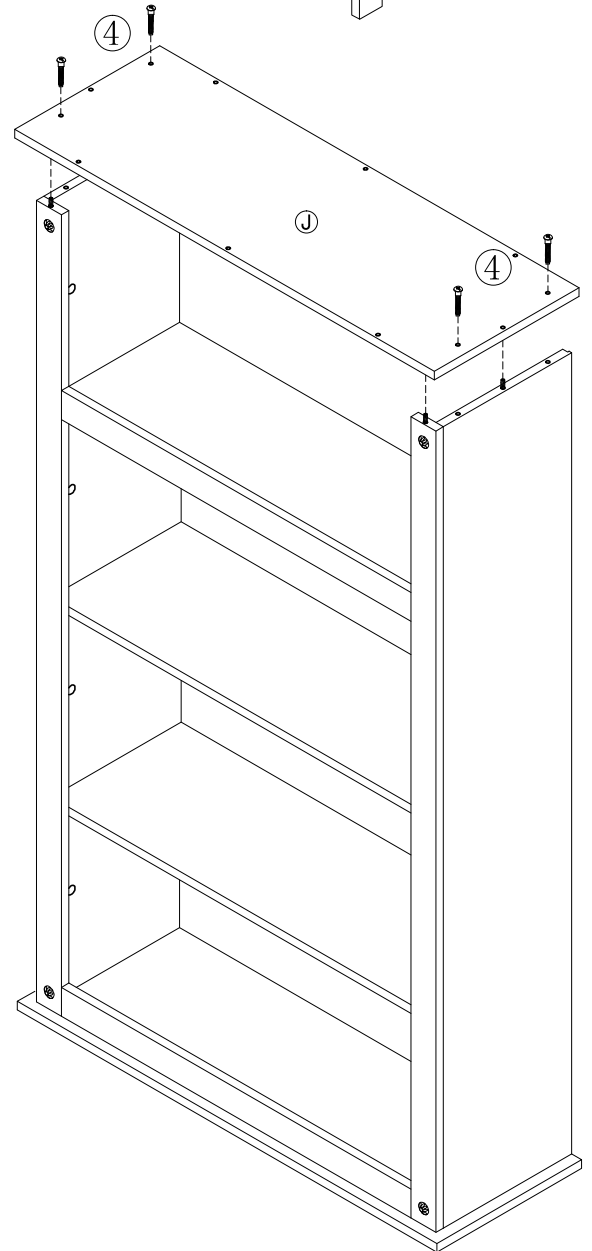
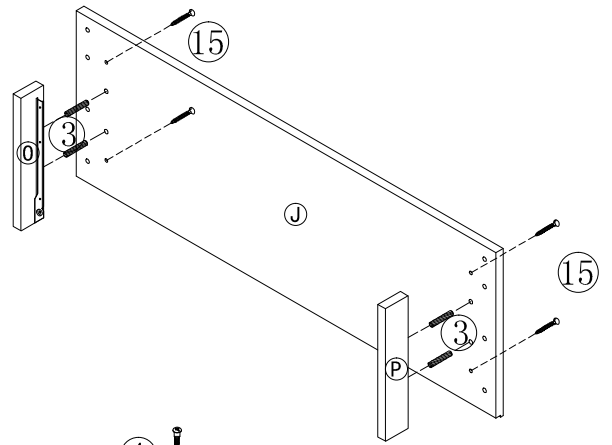
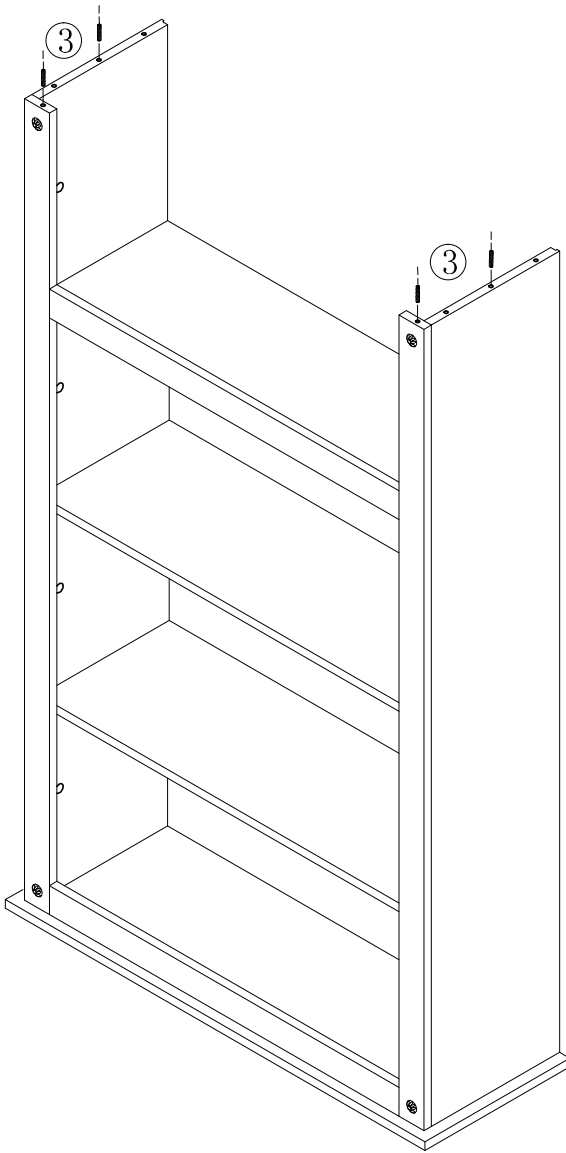
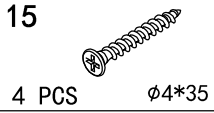
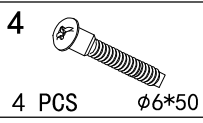
5 PCS



STEP 3:

1. Screw cambolts (1) in panel I.
2. Insert dowels (3) to the tops of panels A & B.
3. Attach panel I to panels A & B and secure with camlocks (2).

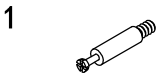
4



STEP 4:

1. Turn the shelf upside down and insert dowels (3) to the bottoms of panels A & B.
2. Insert dowels (3) to panel J and attach part O & P to panel with screws (8).
3. Attach panel J to the bottoms of panels A & B with screw (4) as shown.

5



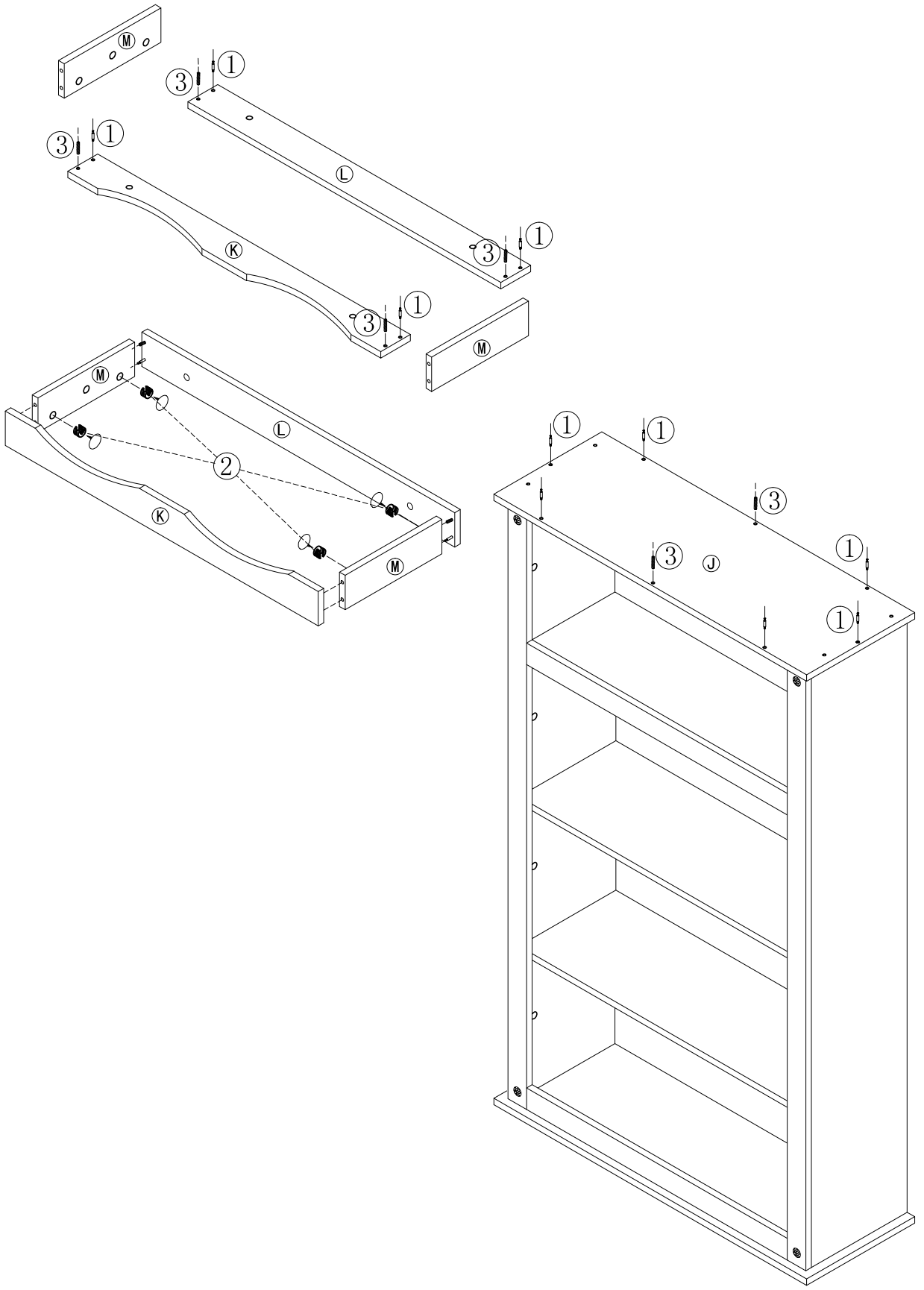
10 PCS



4 PCS $\phi 15 \times 12$



6 PCS



STEP 5:

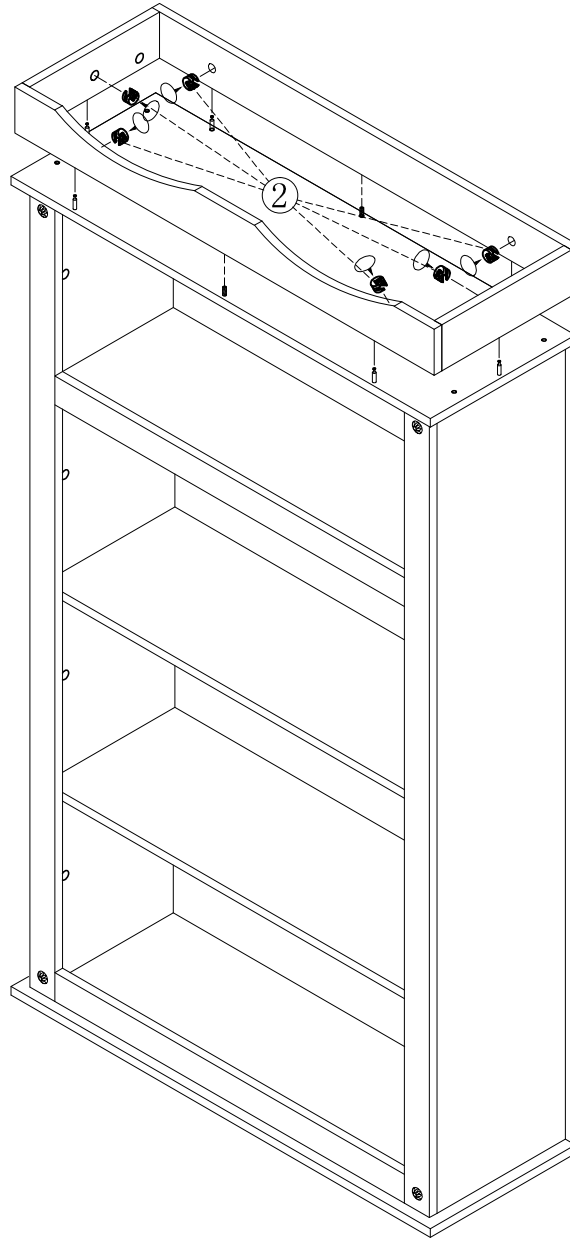
1. Screw cambolts (1) and insert dowels (3) in rails K & L.
2. Attach rails M to part K& L and secure with camlocks (2).
3. Screw cambolts (1) and insert dowels (3) in panel J.

6

2



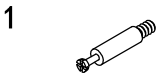
6 PCS $\phi 15*12$



STEP 6:

1. Attach assembled bottom frame to the panel J with camlocks (2) as indicated.

7



4 PCS



4 PCS $\phi 15 \times 12$



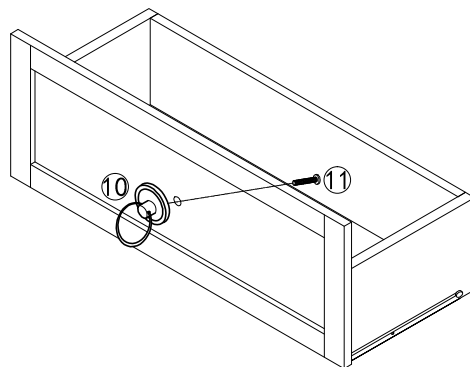
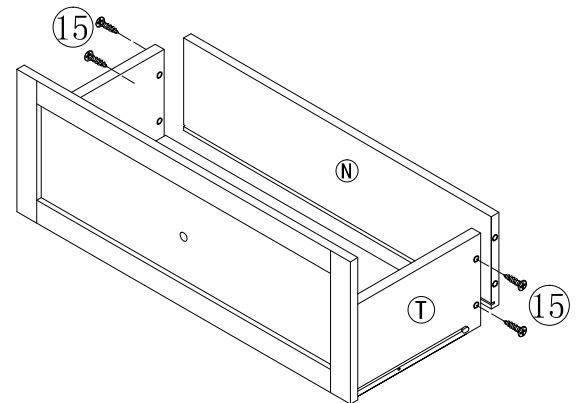
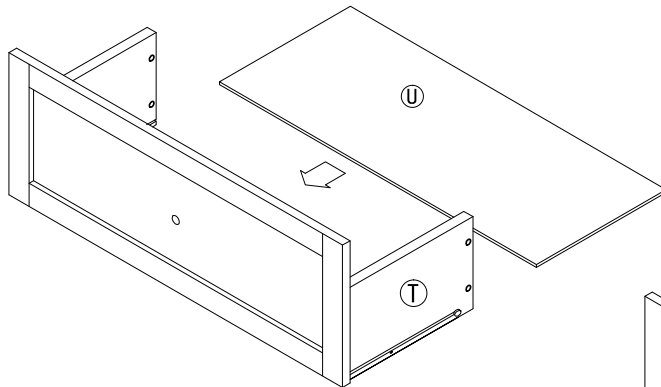
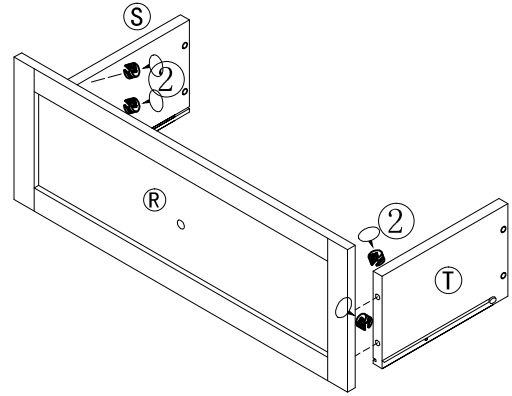
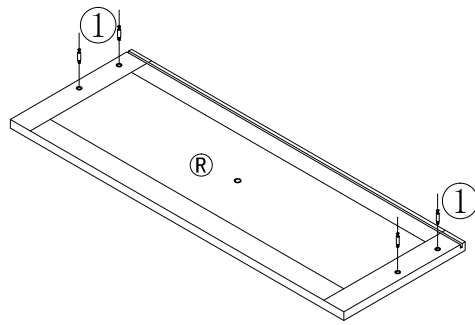
4 PCS $\phi 4 \times 35$



1 PC

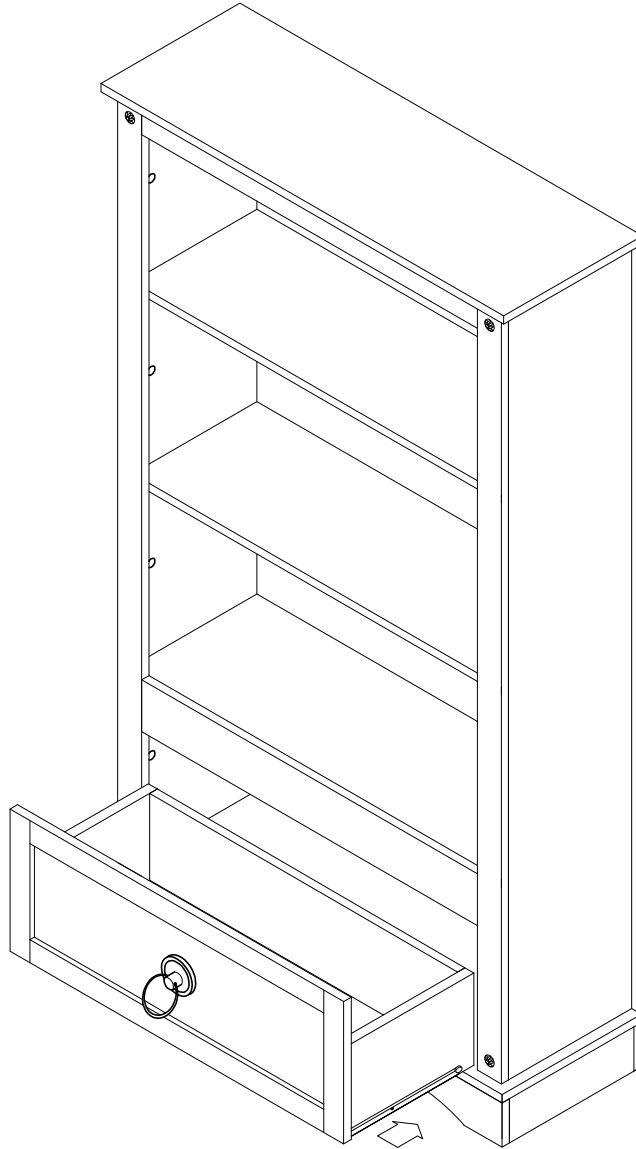


1 PC $\phi 4 \times 14$



STEP 7:

1. Screw cambolts (1) to part R.
2. Attach part S & T to part R and secure with camlock (2).
3. Slide part U into the part R, S & T as indicated.
4. Attach panel N to parts R, S, & T and secure with screws (15).
5. Attach knob (10) to panel I with bolt (11).

**STEP 8:**

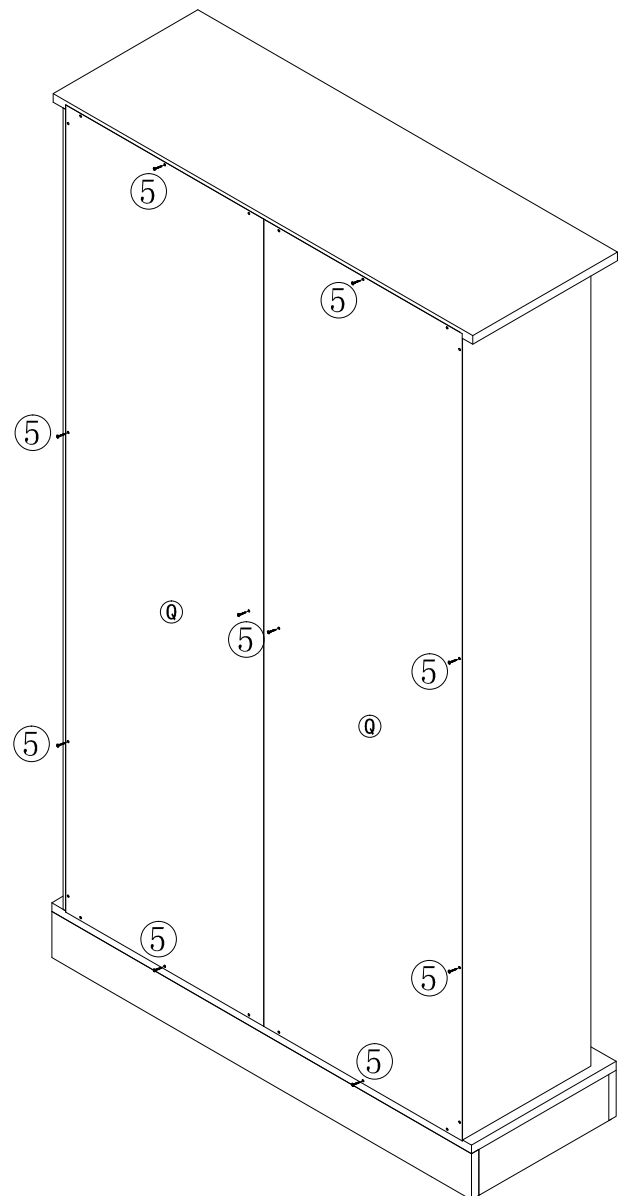
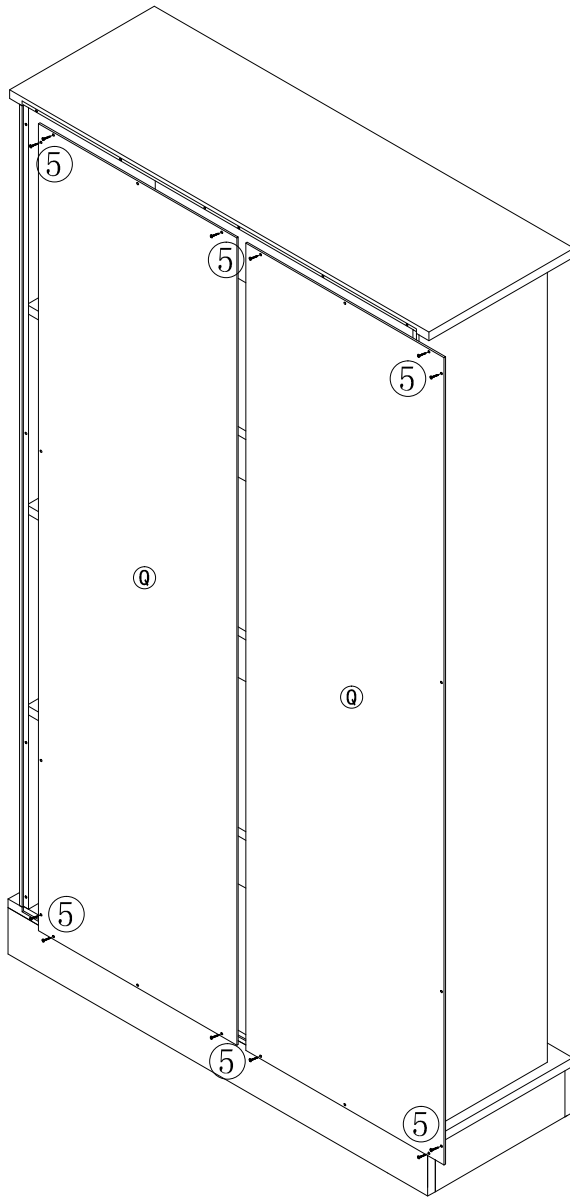
1. Insert drawer into the shelf as indicated.

9

5



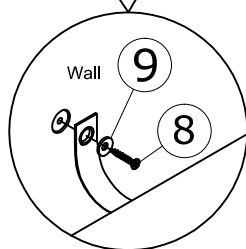
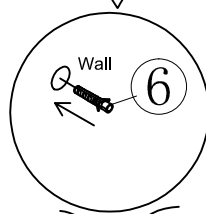
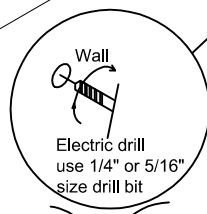
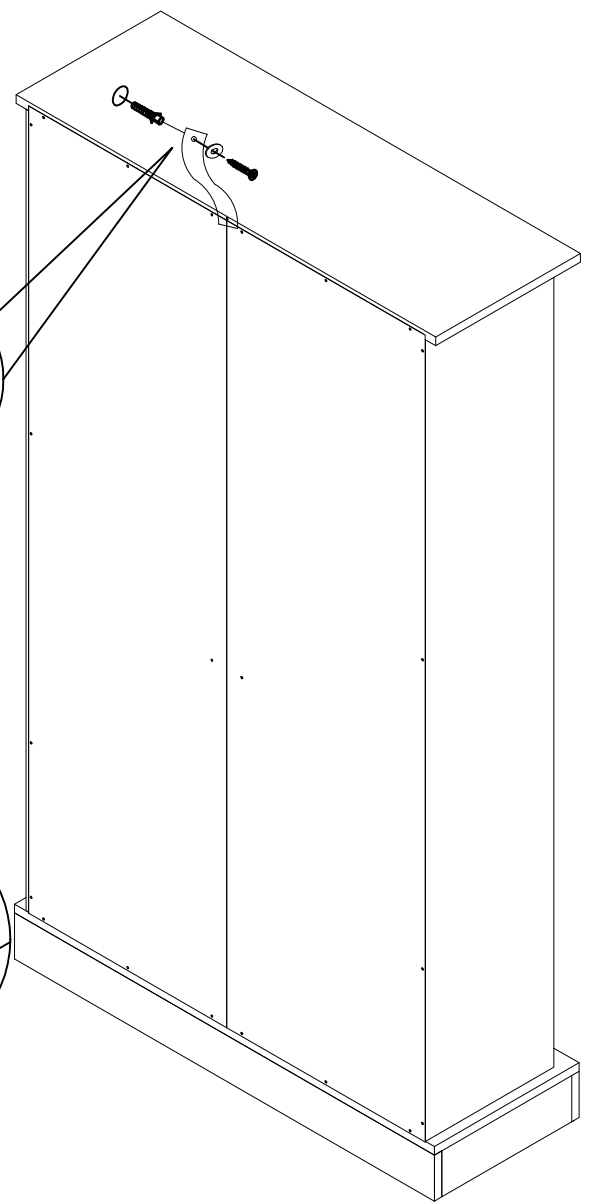
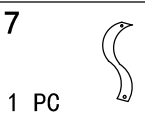
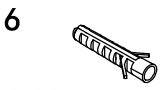
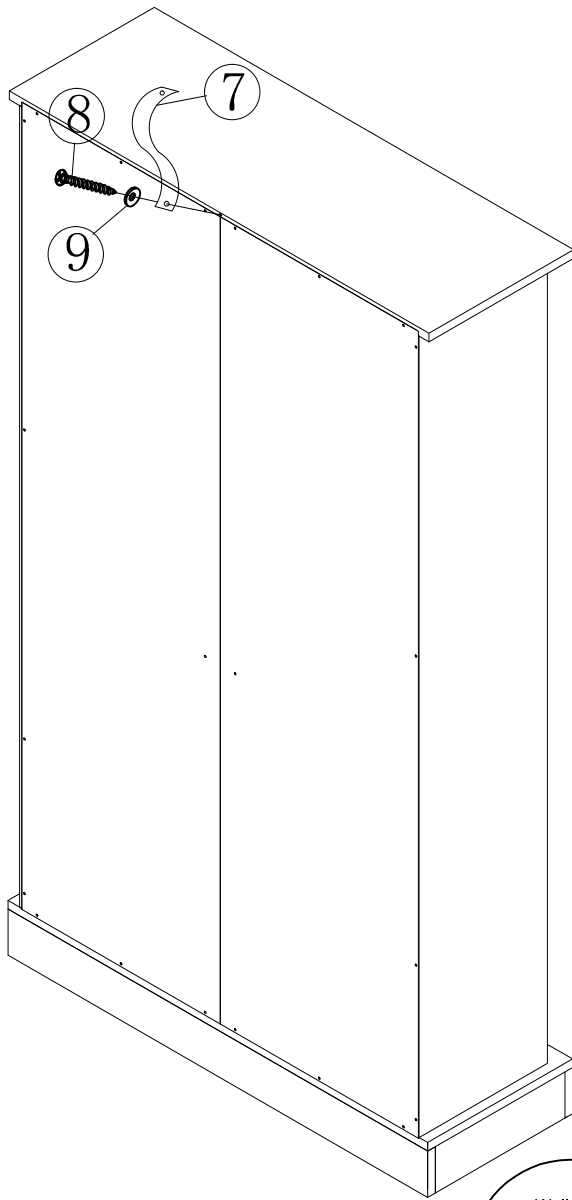
22 PCS $\phi 3 \times 12$ D=7

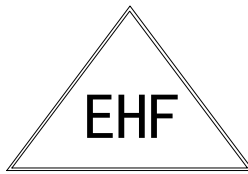


STEP 9:

1. Attach panels Q to the back of the shelf and secure with screws (5) as indicated.
2. Then finish securing the rest of screws (5).

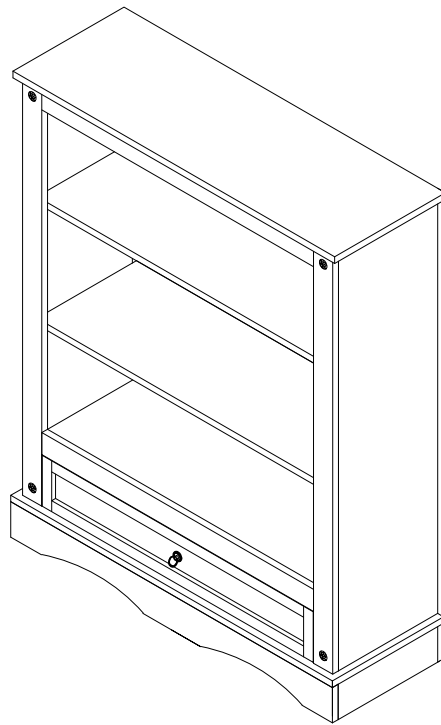
10





ASSEMBLY INSTRUCTIONS

Simplicity - 4 Shelves with Drawer



Please provide the following information when contacting for parts or questions: the name of the company you purchased from, the purchase order number, and the original order date.

This product comes with a 1 year warranty. Products purchased second hand/used are not covered under the warranty.

ASSEMBLY INSTRUCTIONS-IMPORTANT

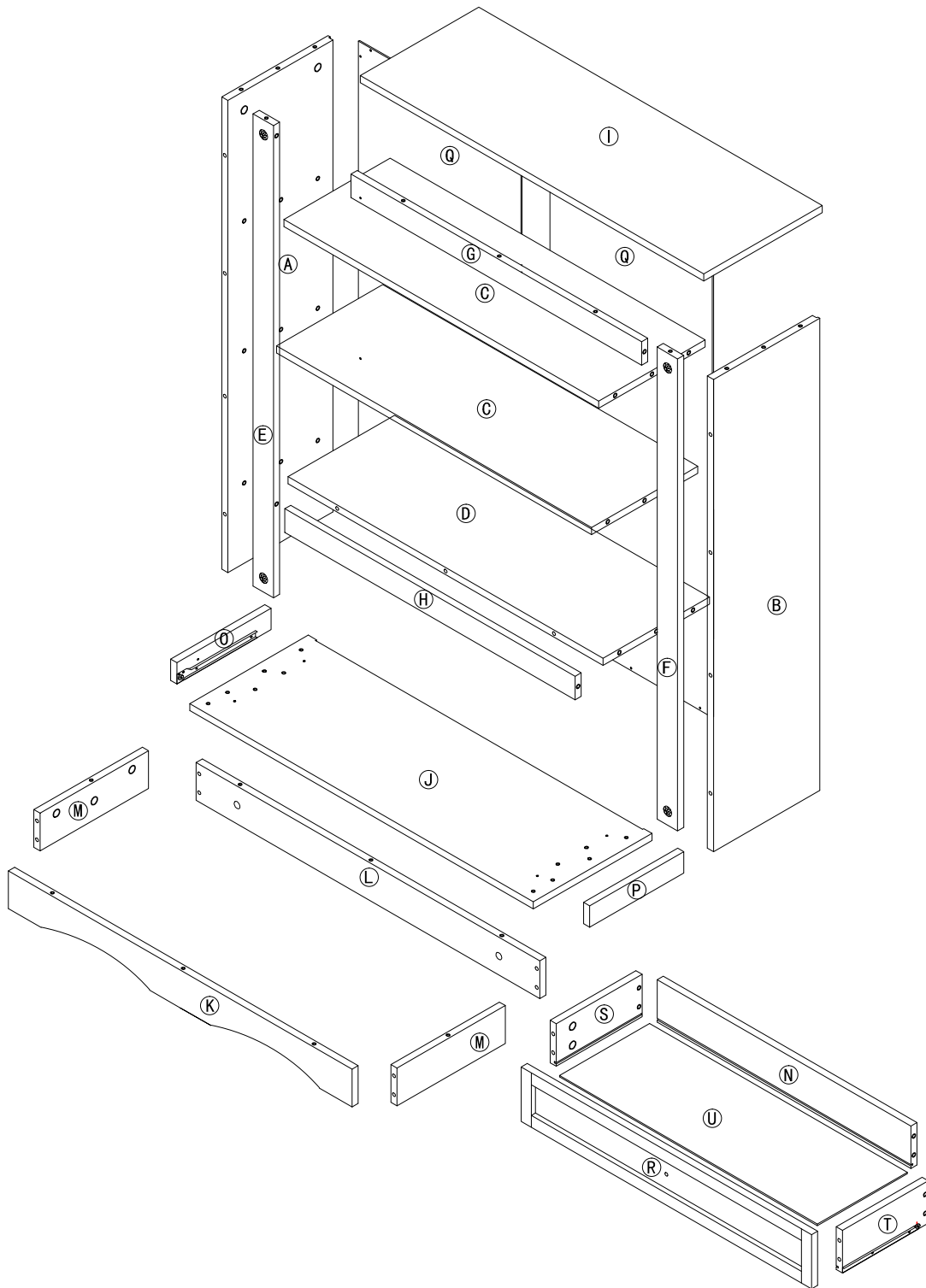
Carefully unpack & identify each component before attempting to assemble. Refer to parts list. Please take care when assembling the unit and always set the parts on a clean, soft surface. If you require any assistance with assembly, parts, please call the company you place order with or please email to: service@eleganthf.net

INSTRUCCIONES PARA ARMAR-IMPORANT:



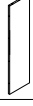
















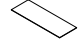

Desempaque cuidadosamente e identifique cada componente antes de tartar de empezar su ensambladura. Verifique la lista de partes. Por favor tenga cuidado cuando arme la unidad y siempre coloque las piezas sobre una superficie plana, suave y limpia. Si necesita ayuda con el armado, envíe un correo electzórico a service@eleganthf.net

DIRECTIVES DE MONTAGE-IMPORTANT:

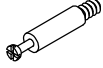


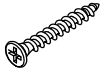
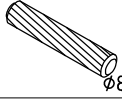



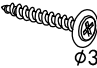

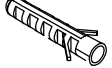
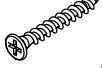
Avant de commencer l' assemblage, déballez délicatement toutes les pièces et repérez-les sur la liste des pièces. Procédez avec soins durant l' assemblage et posez toujours les pièces sur une surface proper, douce et lisse. sie vouo plait e-mail á service@eleganthf.net



COMPONENTS

PART	FIGURE	DESCRIPTION	QTY	PART	FIGURE	DESCRIPTION	QTY
A		LEFT SIDE PANEL	1PC	L		BOTTOM BACK RAIL	1PC
B		RIGHT SIDE PANEL	1PC	M		BOTTOM SIDE RAIL	2PCS
C		FIX SHELF	2PCS	N		DRAWER BACK PANEL	1PC
D		FIX SHELF	1PC	O		LEFT DRAWER RAIL	1PC
E		LEFT SIDE RAIL	1PC	P		RIGHT DRAWER RAIL	1PC
F		RIGHT SIDE RAIL	1PC	Q		BACK PANEL	2PCS
G		UPPER RAIL	1PC	R		DRAWER FACE	1PC
H		BOTTOM RAIL	1PC	S		DRAWER LEFT SIDE PANEL	1PC
I		TOP PANEL	1PC	T		DRAWER RIGHT SIDE PANEL	1PC
J		BOTTOM PANEL	1PC	U		DRAWER BOTTOM PANEL	1PC
K		BOTTOM FRONT RAIL	1PC				

HARDWARE & TOOLS

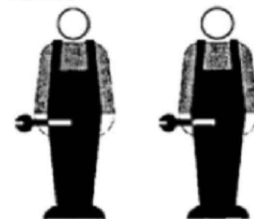
PART	FIGURE	DESCRIPTION	QTY	PART	FIGURE	DESCRIPTION	QTY
1		CAM BOLT	43PCS	7		FIX BELT	1PC
2	 ø15*12	CAM LOCK	43PCS	8	 ø4*25	SCREW	2PCS
3	 ø8*30	WOODEN DOWEL	29PCS	9		WASHER	2PCS
4	 ø6*50	BLUNT SCREW	4PCS	10		KNOB	1PC
5	 ø3*12 D=7	SCREW	22PCS	11	 ø4*14	KNOB BOLT	1PC
6		ANCHOR	1PC	15	 ø4*25	SCREW	8PCS

TOOL NEEDED:



**PHILIPS SCREWDRIVER REQUIRED
- NOT INCLUDED**

SUGGESTION:



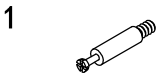
TWO PEOPLE FOR ASSEMBLING



WARNINGS:

1. DO NOT LET ANY SHARP OBJECTS TOUCH OR RUB THE SURFACE OF THE PRODUCT.
2. WHEN ASSEMBLING, DO NOT LET CHILDREN PLAY AROUND THE WORKING AREA.
3. PLEASE CONFIRM ALL PARTS ARE CORRECT BEFORE STARTING THE ASSEMBLY PROCESS.
4. DO NOT TIGHTEN ALL BOLTS AND SCREWS COMPLETELY UNTIL THE ENTIRE UNIT HAS BEEN ASSEMBLED AND SET UP.

1



12 PCS

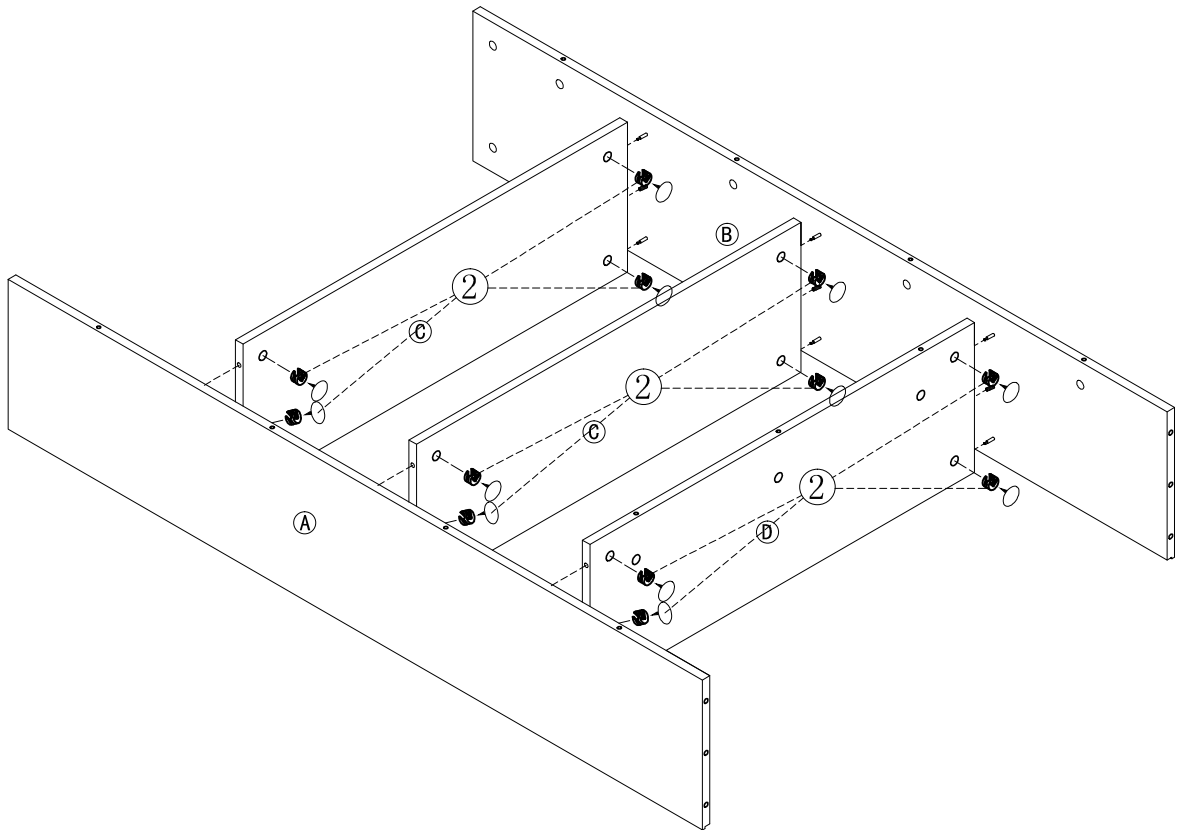
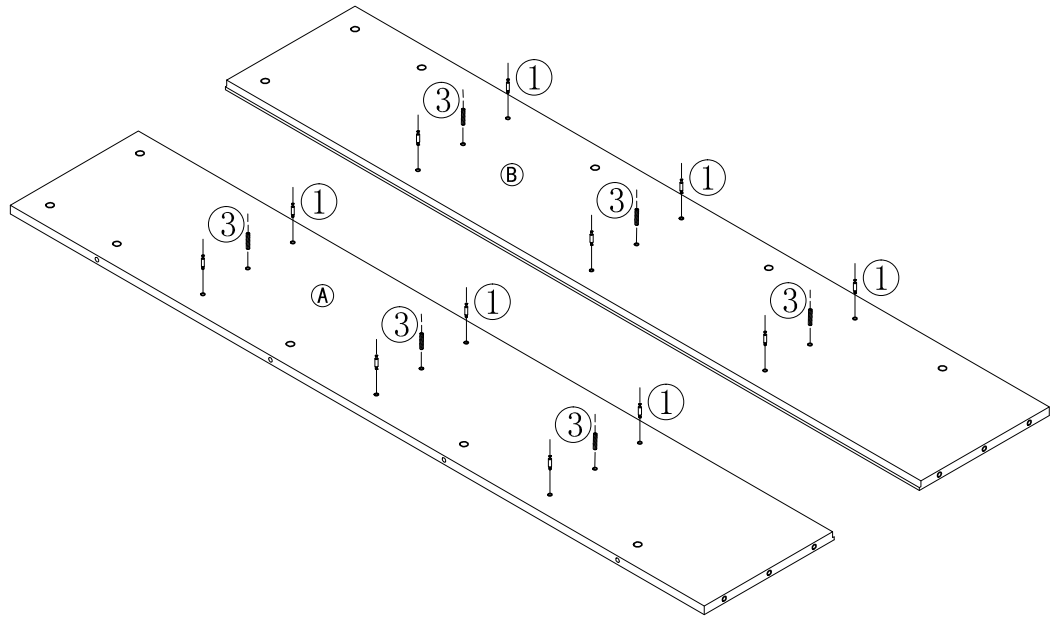


12 PCS

∅15*12



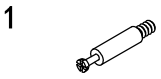
6 PCS



STEP 1:

1. Screw cambolts (1) and insert dowels (3) in panels A & B.
2. Attach panels C & D to panel A& B and secure with camlocks (2).

2



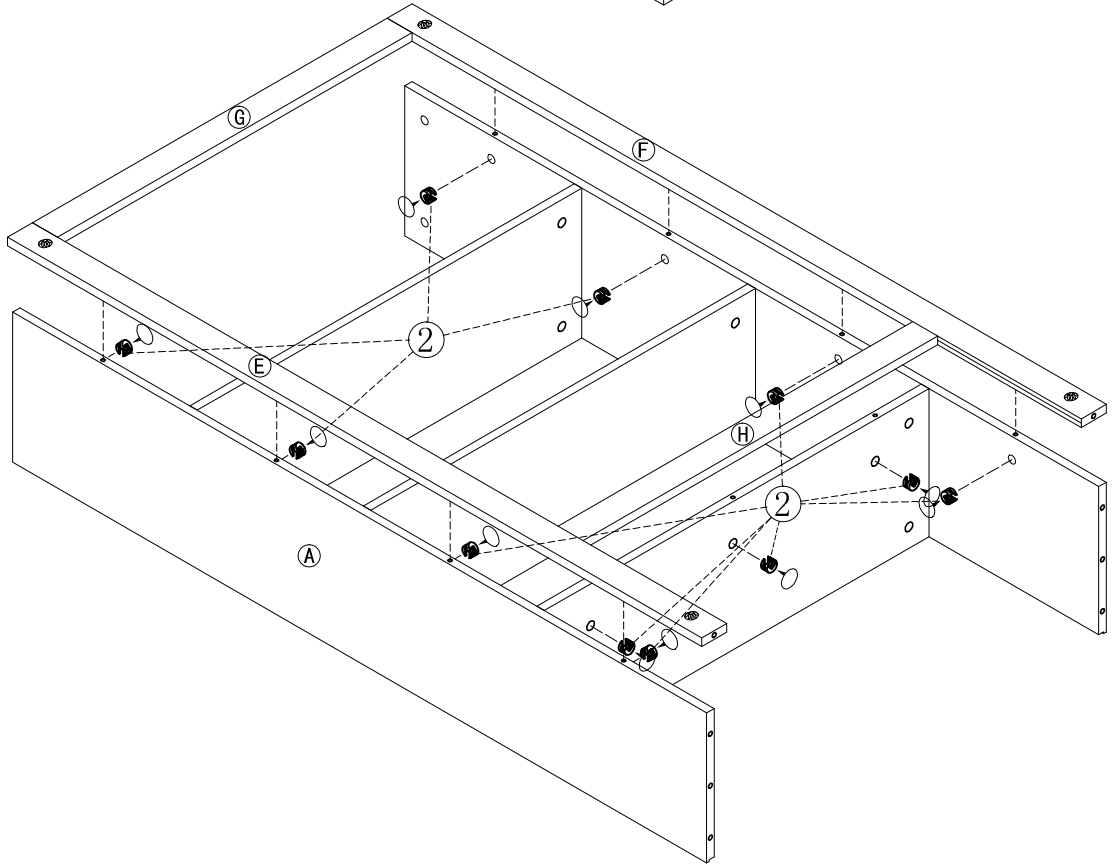
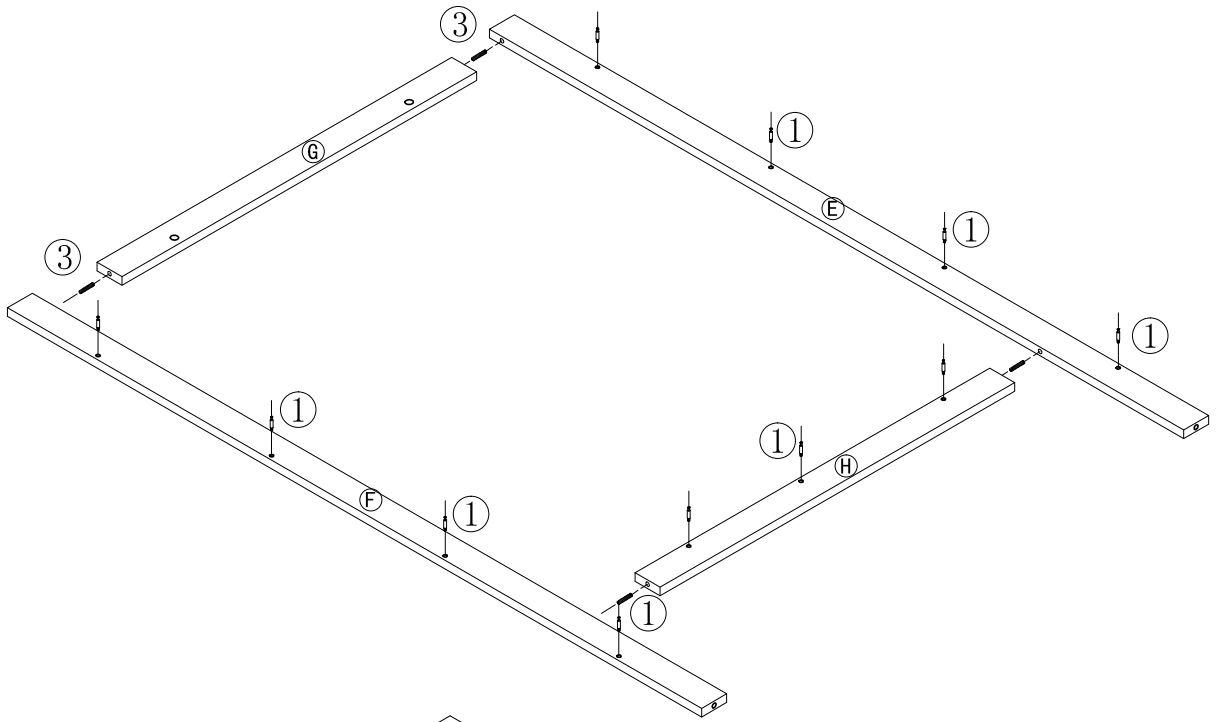
11 PCS



11 PCS $\phi 15 \times 12$



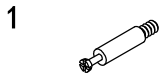
4 PCS



STEP 2:

1. Screw cambolts (1) in rails E, F & H.
2. Attach rail G,H to part E & F with dowels (3).
3. Attach rails E,F & H to panel A & B and secure with camlocks (2).

3



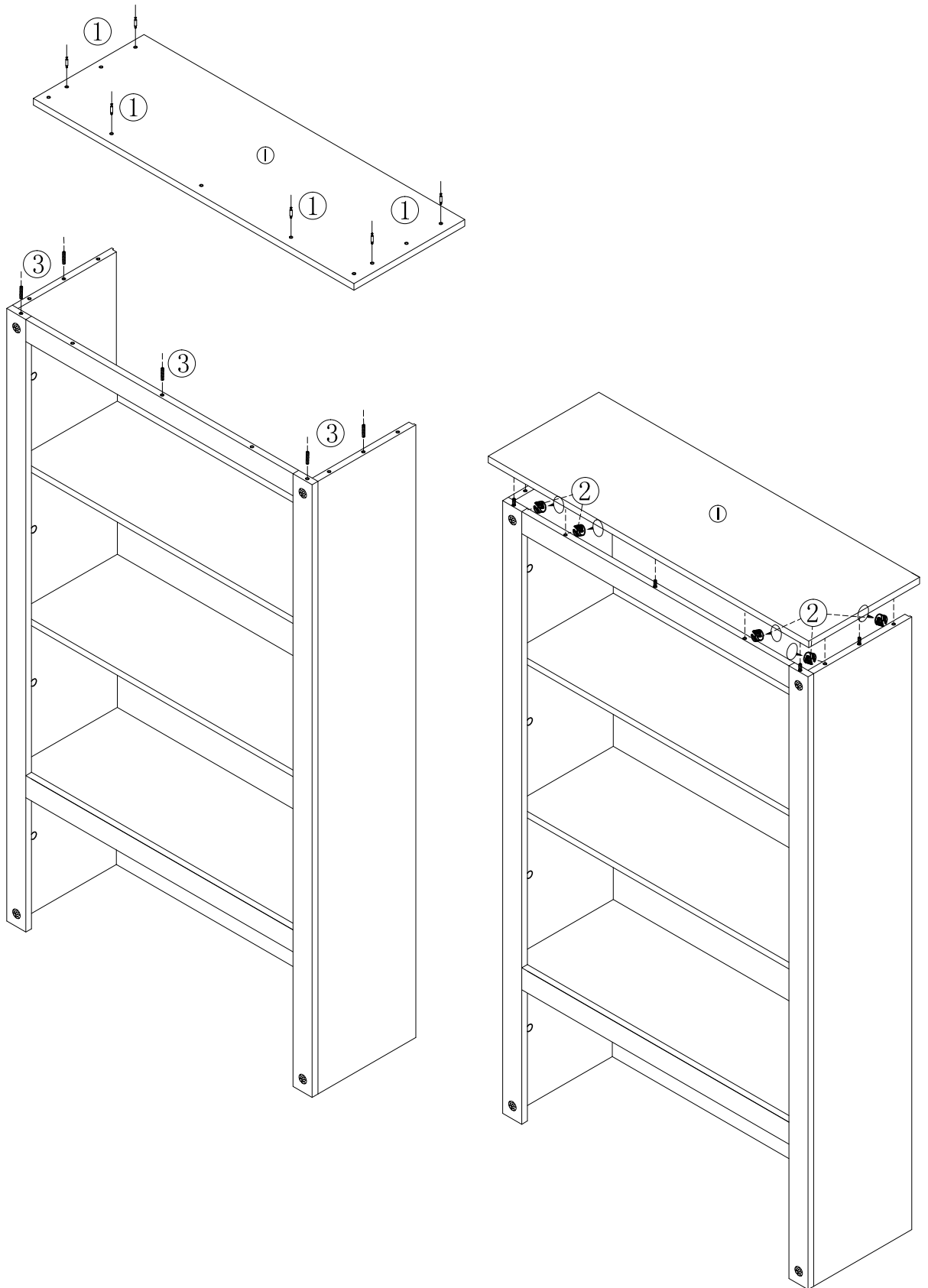
6 PCS



6 PCS $\phi 15 \times 12$



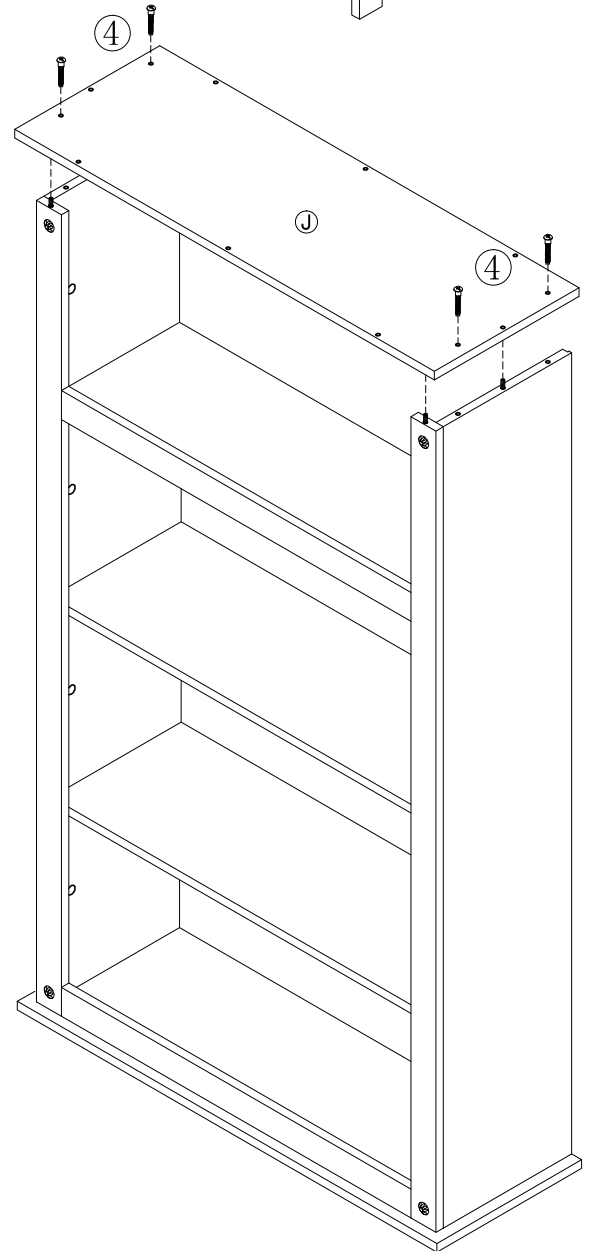
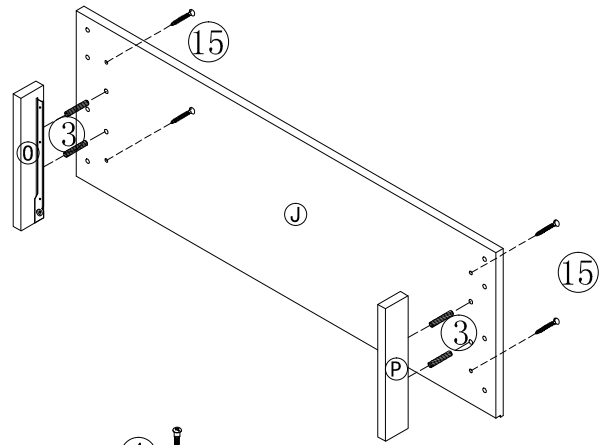
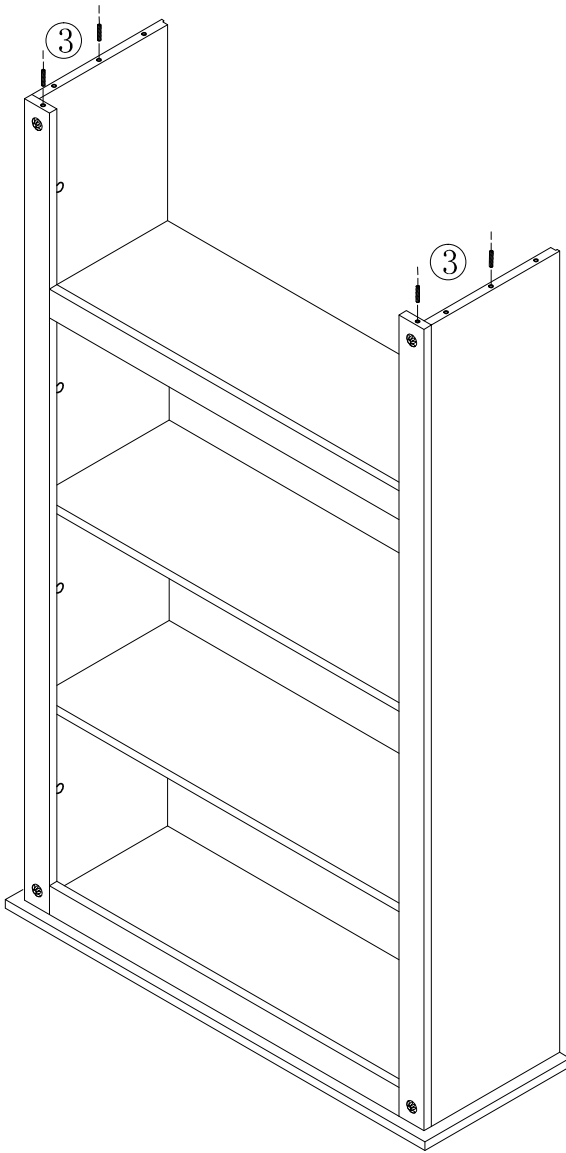
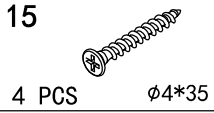
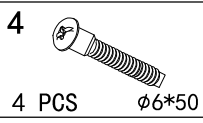
5 PCS



STEP 3:

1. Screw cambolts (1) in panel I.
2. Insert dowels (3) to the tops of panels A & B.
3. Attach panel I to panels A & B and secure with camlocks (2).

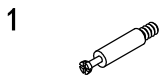
4



STEP 4:

1. Turn the shelf upside down and insert dowels (3) to the bottoms of panels A & B.
2. Insert dowels (3) to panel J and attach part O & P to panel with screws (8).
3. Attach panel J to the bottoms of panels A & B with screw (4) as shown.

5



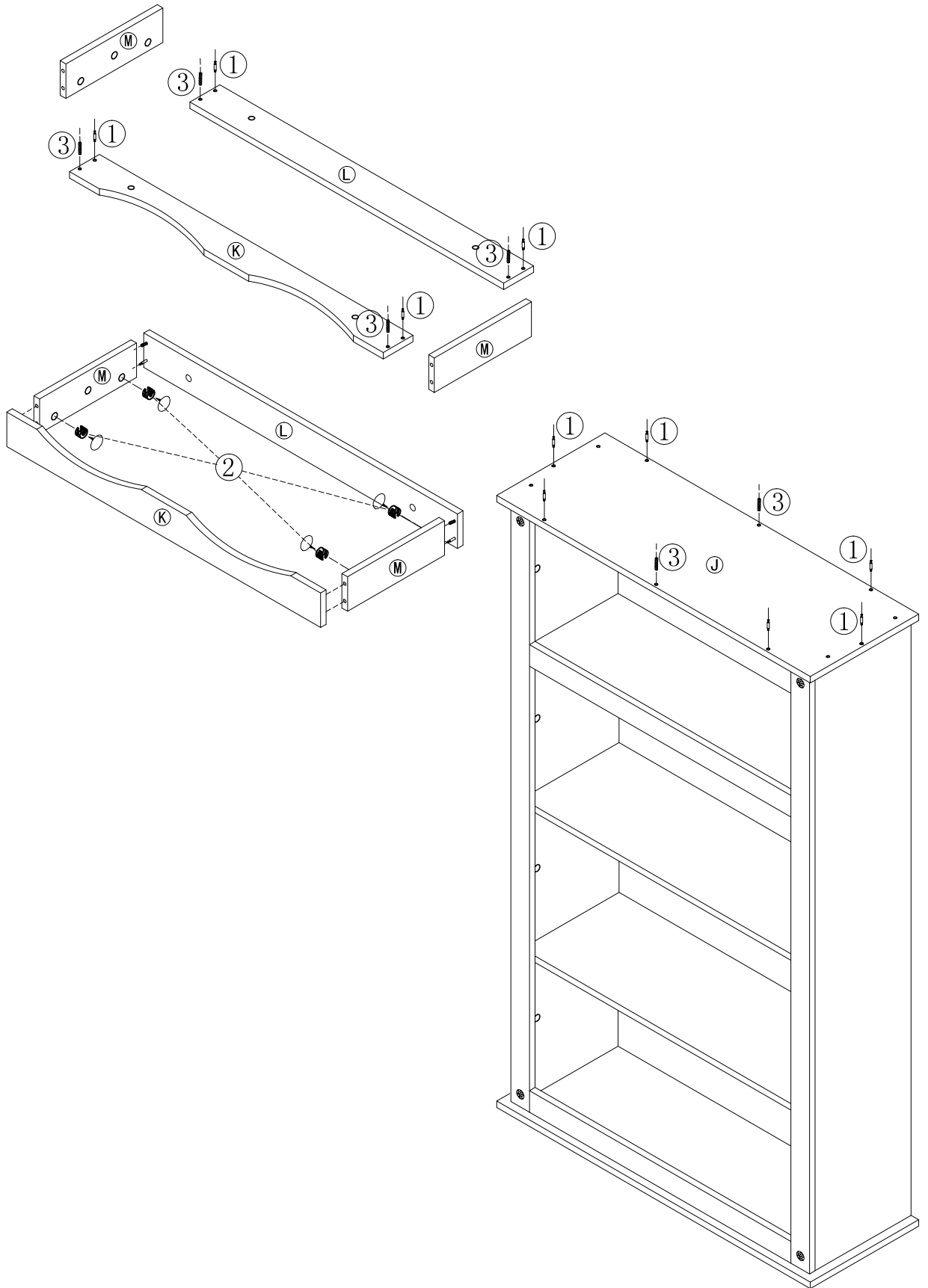
10 PCS



4 PCS $\phi 15 \times 12$



6 PCS



STEP 5:

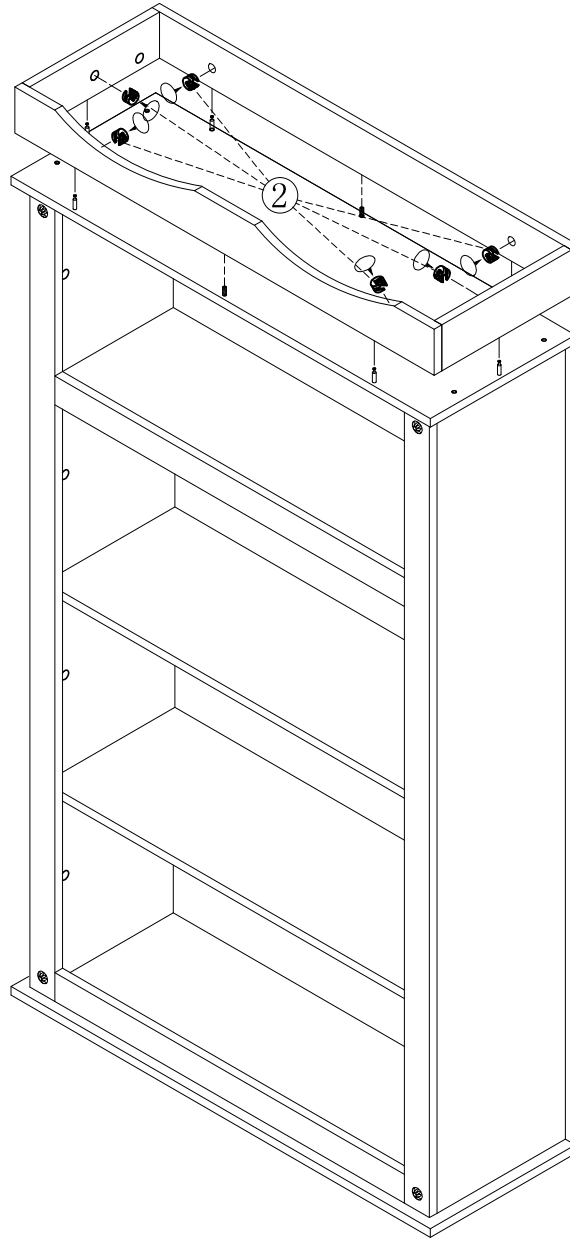
1. Screw cambolts (1) and insert dowels (3) in rails K & L.
2. Attach rails M to part K& L and secure with camlocks (2).
3. Screw cambolts (1) and insert dowels (3) in panel J.

6

2



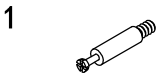
6 PCS $\phi 15*12$



STEP 6:

1. Attach assembled bottom frame to the panel J with camlocks (2) as indicated.

7



4 PCS



4 PCS $\phi 15 \times 12$



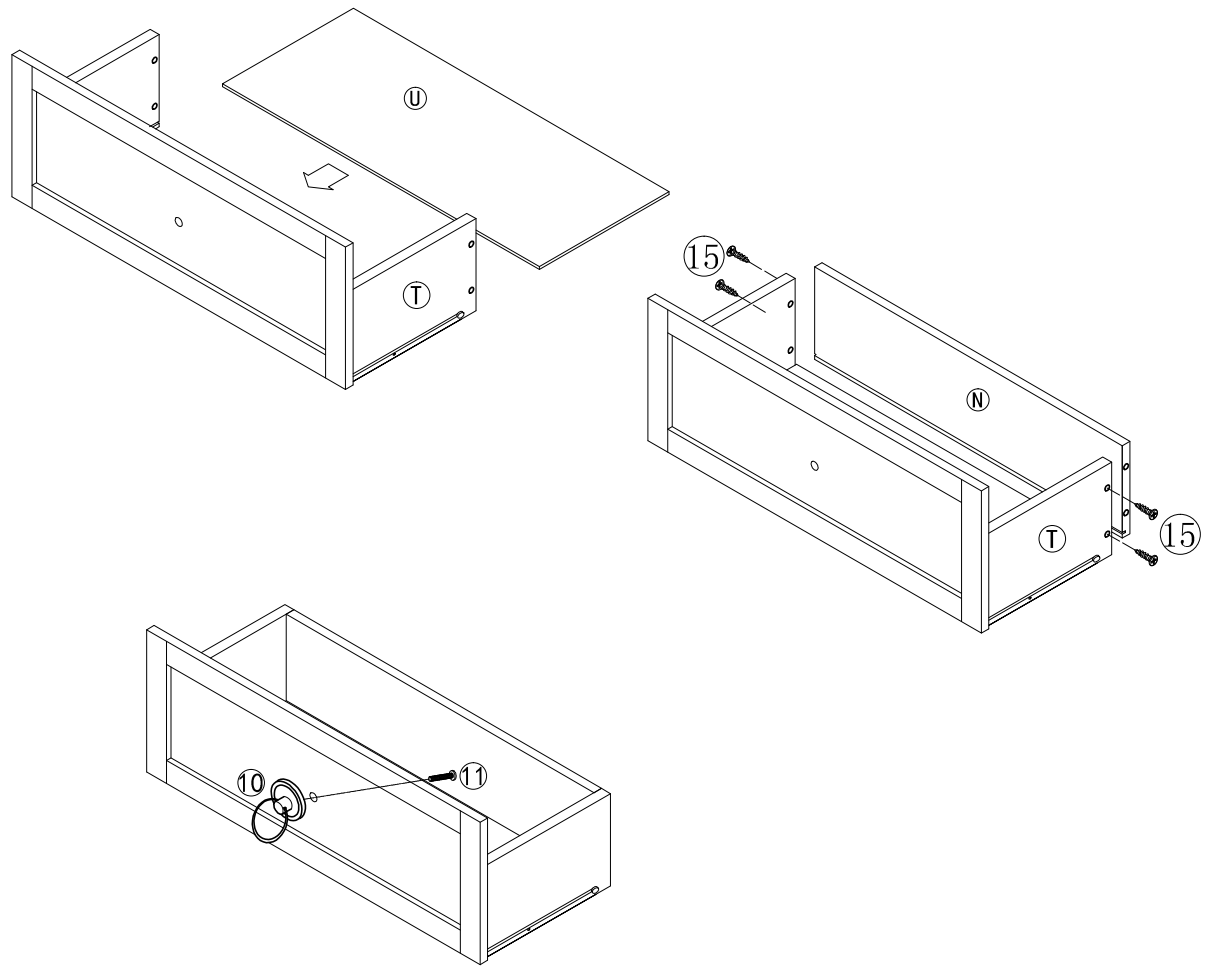
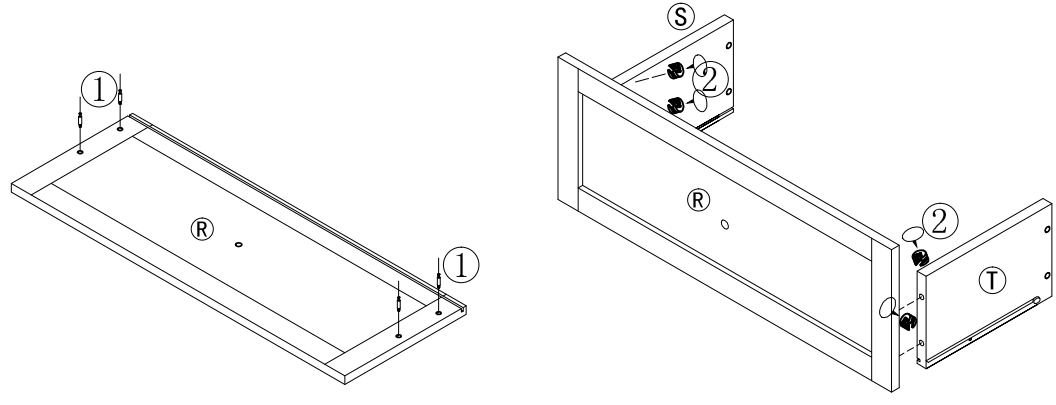
4 PCS $\phi 4 \times 35$



1 PC

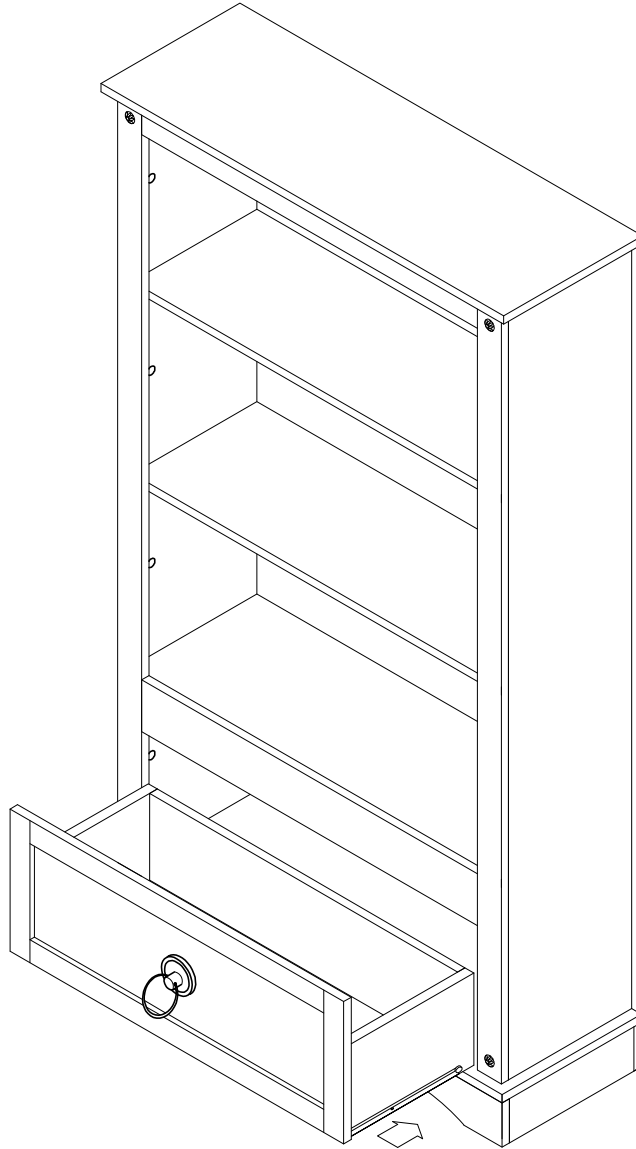


1 PC $\phi 4 \times 14$



STEP 7:

1. Screw cambolts (1) to part R.
2. Attach part S & T to part R and secure with camlock (2).
3. Slide part U into the part R, S & T as indicated.
4. Attach panel N to parts R, S, & T and secure with screws (15).
5. Attach knob (10) to panel I with bolt (11).

**STEP 8:**

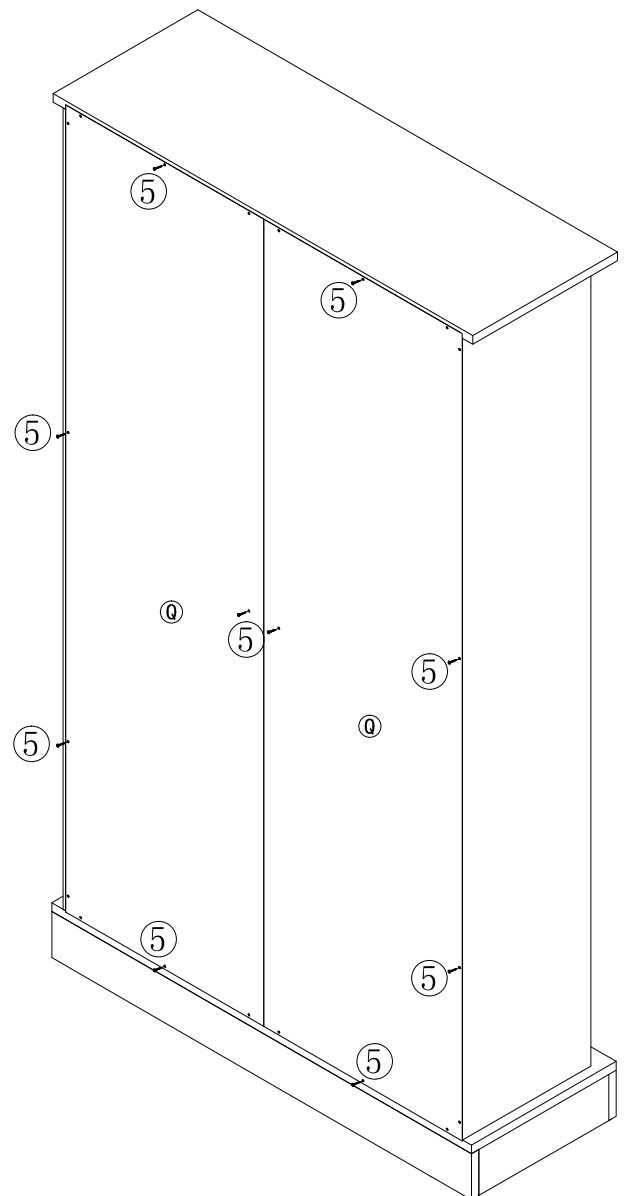
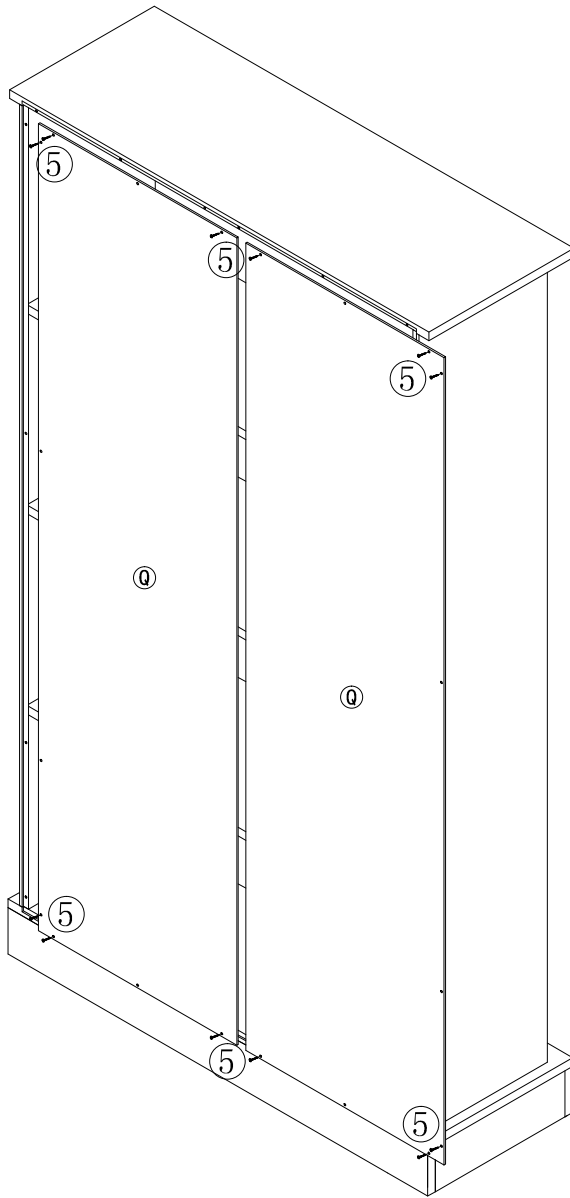
1. Insert drawer into the shelf as indicated.

9

5



22 PCS $\phi 3 \times 12$ D=7



STEP 9:

1. Attach panels Q to the back of the shelf and secure with screws (5) as indicated.
2. Then finish securing the rest of screws (5).

10

