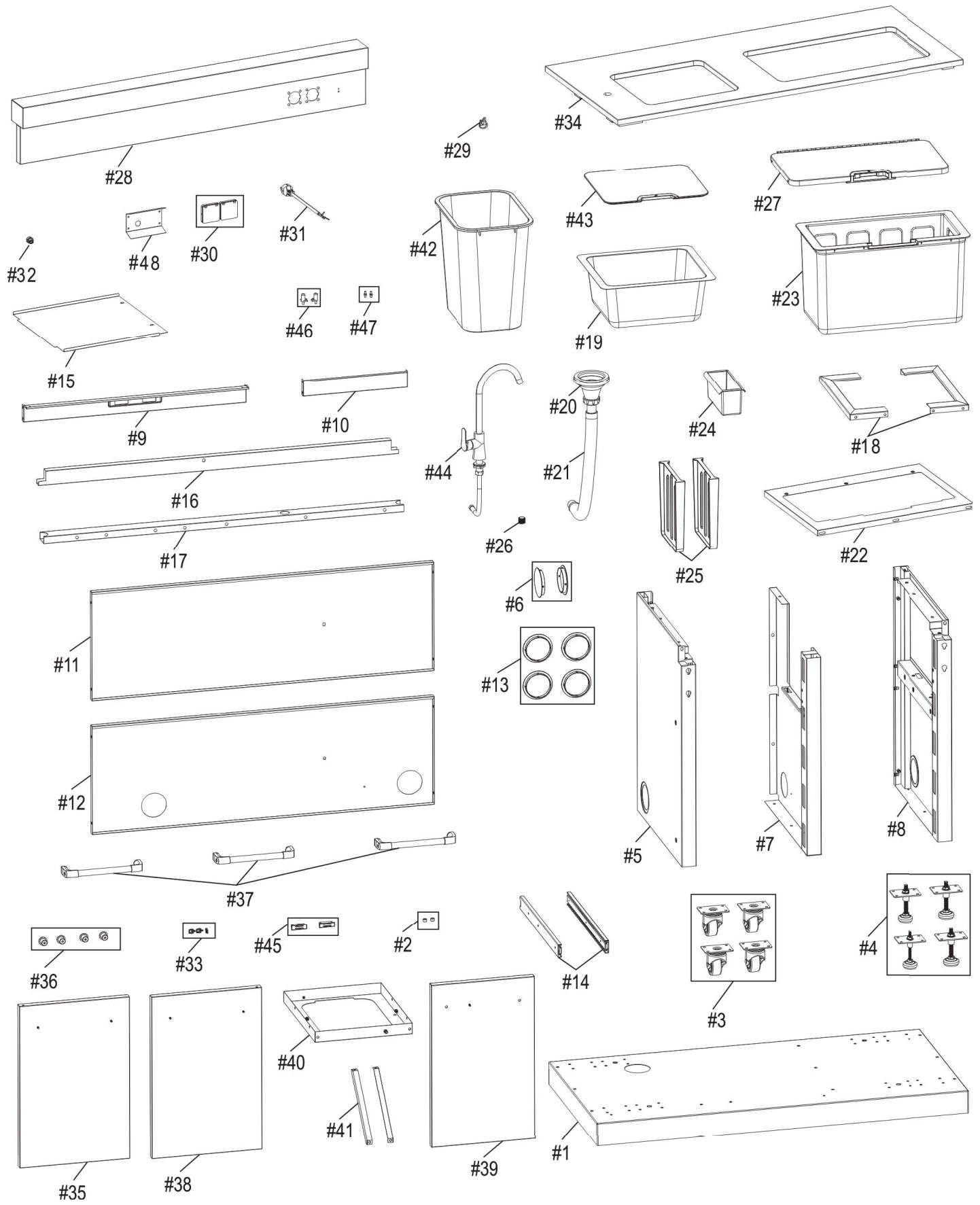


REPLACEMENT PARTS DIAGRAM



REPLACEMENT PARTS LIST

| Key | Qty | Description |
|-----|-----|--------------------------------|
| 1 | 1 | BOTTOM SHELF |
| 2 | 2 | DOOR STOP |
| 3 | 4 | CASTER, FIXED |
| 4 | 4 | LEVELER |
| 5 | 1 | LEFT CART PANEL |
| 6 | 2 | PLASTIC CAP |
| 7 | 1 | MIDDLE CART PANEL |
| 8 | 1 | RIGHT CART PANEL |
| 9 | 1 | UPPER DOOR BRACE, DOUBLE DOOR |
| 10 | 1 | UPPER DOOR BRACE, SLIDING DOOR |
| 11 | 1 | REAR PANEL, UPPER CART |
| 12 | 1 | REAR PANEL, LOWER CART |
| 13 | 4 | GROMMET |
| 14 | 2 | DRAWER SLIDE |
| 15 | 1 | ICE COOLER BOTTOM BRACE |
| 16 | 1 | CROSS BRACE, FRONT |
| 17 | 1 | CROSS BRACE, REAR |
| 18 | 2 | BRACE, F/ SINK |
| 19 | 1 | SINK BASIN |
| 20 | 1 | SINK DRAIN |
| 21 | 1 | DRAIN HOSE |
| 22 | 1 | ICE COOLER UPPER BRACE |
| 23 | 1 | ICE COOLER |
| 24 | 1 | CONDIMENT TRAY |
| 25 | 2 | COOLER DIVIDER |
| 26 | 1 | COOLER DRAIN PLUG |
| 27 | 1 | COOLER LID ASSEMBLY W/ HINGE |
| 28 | 1 | CONTROL PANEL |
| 29 | 1 | LOGO PLATE |
| 30 | 2 | ELECTRICAL OUTLET |
| 31 | 1 | OUTLET CORD PLUG |
| 32 | 1 | OUTLET CORD, LOCK GROMMET |
| 33 | 3 | WIRE CLIP |
| 34 | 1 | SHELF FRAME |
| 35 | 1 | DOOR, LEFT, NO HANDLE |
| 36 | 4 | BUSHING, F/ DOOR HANDLE |
| 37 | 3 | DOOR HANDLE |
| 38 | 1 | DOOR, RIGHT, NO HANDLE |
| 39 | 1 | SLIDING DOOR |

| Key | Qty | Description |
|-----|-----|---------------------|
| 40 | 1 | GARBAGE BASE |
| 41 | 2 | GARBAGE BRACE |
| 42 | 1 | GARBAGE CAN |
| 43 | 1 | CUTTING BOARD |
| 44 | 1 | FAUCET ASSEMBLY |
| 45 | 2 | DOOR MAGNET |
| 46 | 2 | SPRING PIN, F/ DOOR |
| 47 | 2 | FIXED PIN, F/ DOOR |
| 48 | 1 | RAIN SHIELD |

NOT Pictured

| | | |
|-----|---|-------------------------------|
| ... | 1 | PRODUCT GUIDE, EUROPE |
| ... | 1 | HARDWARE KIT W/ LOCKING PLATE |
| ... | 4 | LEVELER W/O BRACKET |

Tools needed for assembly:

Adjustable wrench (not provided)

Screwdriver (not provided)