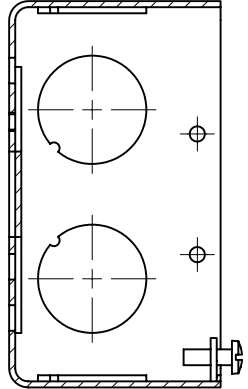
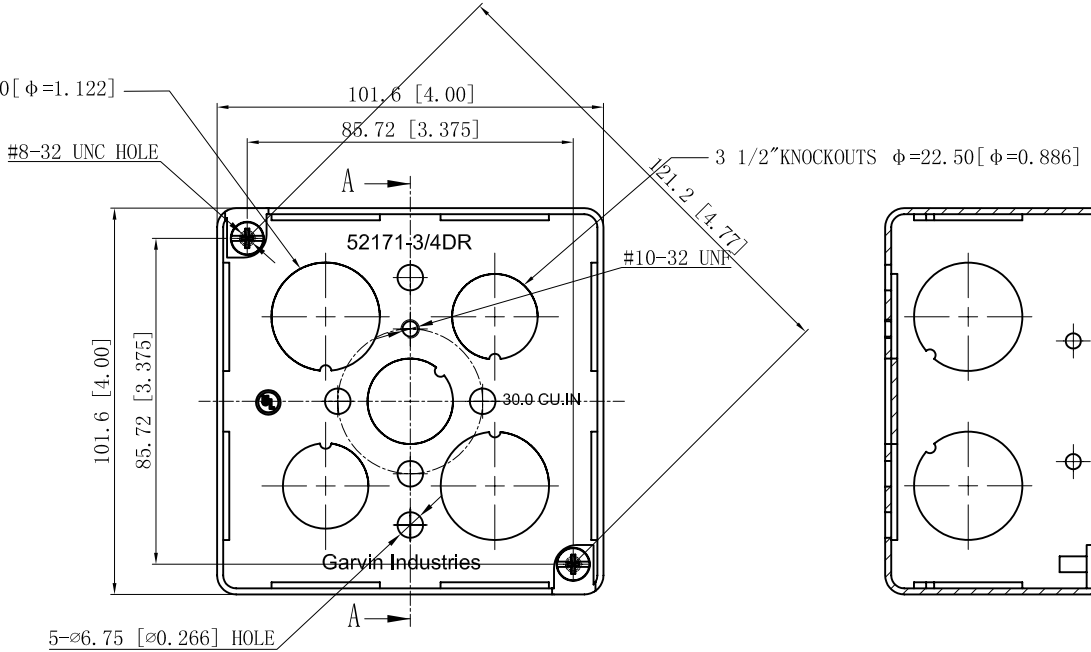
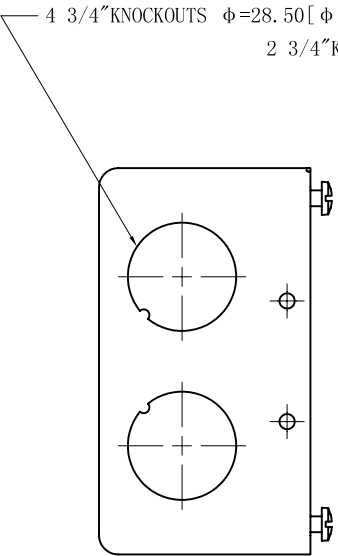
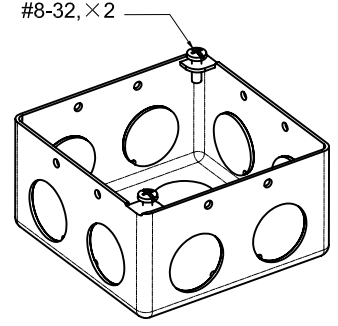
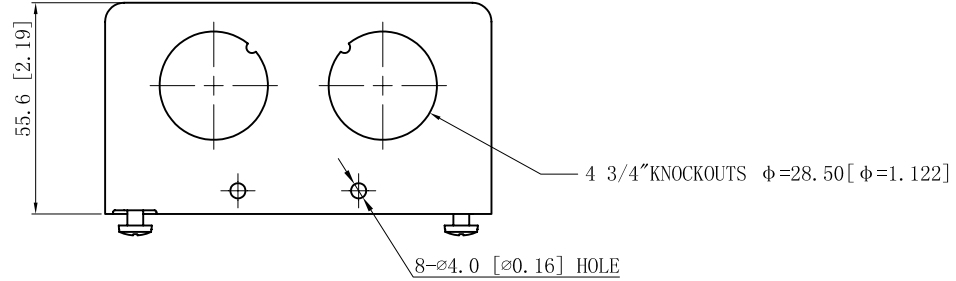


| SIDES | BOTTOM |
|--|------------------|
| 8 3/4" KNOCKOUTS | 3 1/2" KNOCKOUTS |
| | 2 3/4" KNOCKOUTS |
| 2 PCS 8-32×1/2 Screws Installed | |
| Material: Steel-0.0625"-G60 Galvanized | |



CUTAWAY VIEW A-A

| DESCRIPTION |
|-----------------------|
| |
| TRADE REFERENCE TERMS |
| |

This data sheet is for reference only. GARVIN INDUSTRIES reserves the right to make changes to the design without prior notice.

| | | | |
|------------------|--|-------------|-----|
| STANDARD PACKING | <h1 style="text-align: center;">GARVIN INDUSTRIES</h1> | | |
| | | | |
| 25 PCS | TITLE | 52171-3/4DR | |
| | SIZE | DWG NO. | REV |
| | A4 | | B |
| DATA SHEET | | | |