

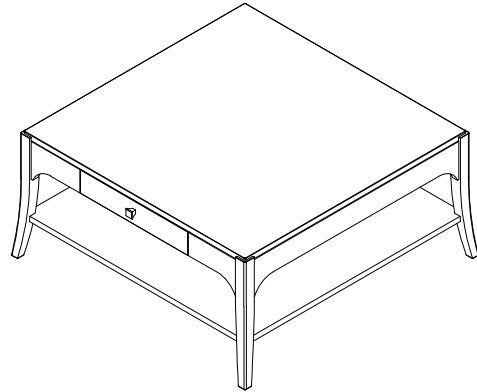
FLEXSTEEL®

W1076-032

Square Coffee Table

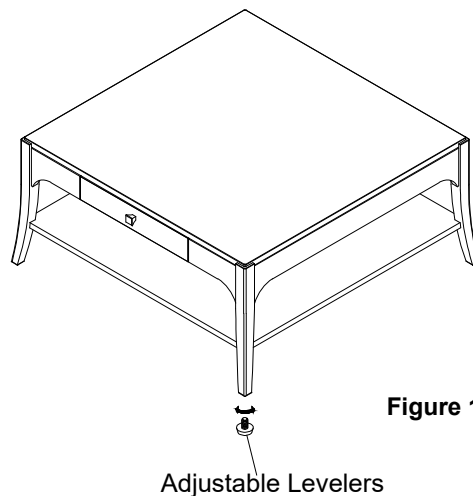
IMPORTANT

Please read instructions carefully before using this product.



Part List

Adjust the levelers on the legs until the furniture is leveled. (See Figure 1.)



CARE INSTRUCTIONS

- To avoid scratches, do not place sharp or jagged objects directly on the table top.
- Do not place hot items directly on the tabletop.
- Use placemats or trivets under hot items and coasters under beverages to prevent marks and stains.
- Avoid the use of harsh chemicals or abrasive cleaning materials.
- Wipe the table clean with a soft, dry cloth after each use.
- Wipe up spills quickly with a soft, dry cloth.

Flexsteel Industries, Inc.

For Parts or Customer Service call toll-free: 1-888-415-3979

Monday-Friday, 8:00-5:00pm Central Time

Email: customersolutions@flexsteel.com

www.flexsteel.com