

# Pockit® Point

12VDC

1W

69 Lumens



1W Pockit® Point is the smallest LED spotlight on the market. Its small diameter and focused light are perfect for highlighting items in tight spaces.

The Pockit® Point features a very low profile with a recess depth of only 1/2" (13 mm), a collar spring for quick recessing and a 79" (2 m) starter cord attached with a loose AMP® connector for easier wire routing.



### Features:

1" (25 mm) recess diameter, 1/2" (13 mm) recess depth

90° beam spread

Nearly 70 lumens of output

Spring clip mounted

Recess mount

### Typical Applications:

Displays or store fixtures

Museum cases

Accent lighting

Interior cabinets and shelving

Small light boxes

Closets (UL listed for use within closet storage spaces)



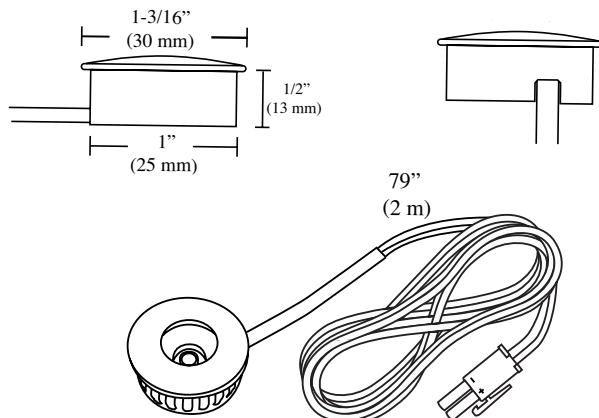
Tiny 1" (25 mm) recessed diameter



### Available Finishes:



### Dimensions:

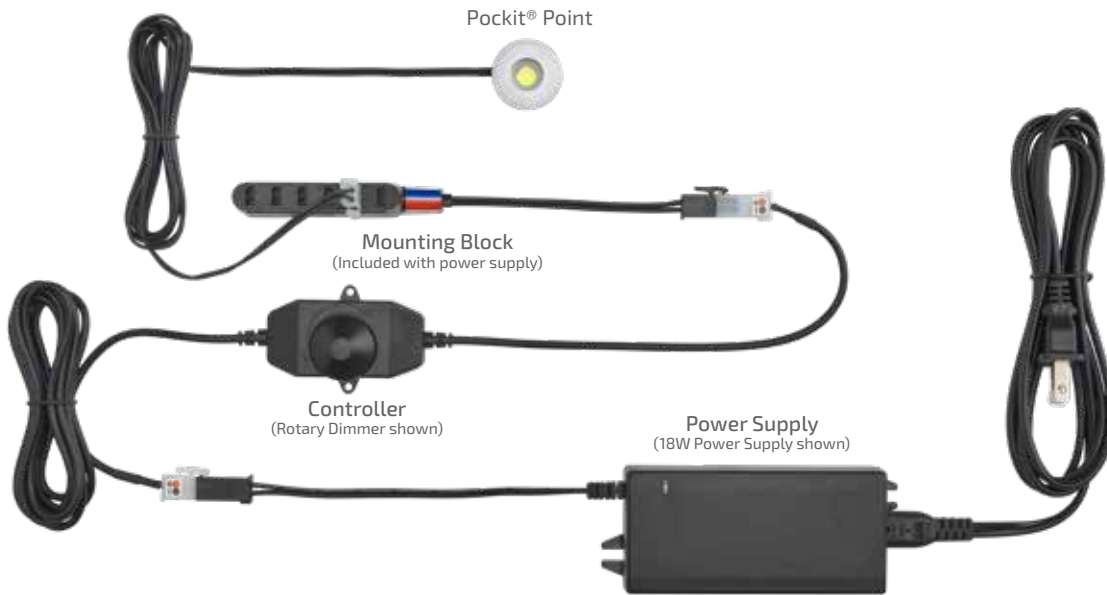


Available in 3 finishes



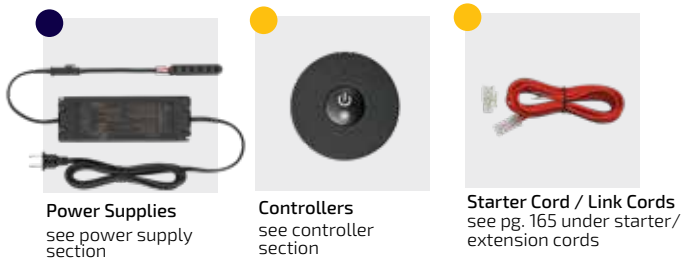
1-3/16" (30 mm) overall diameter

Typical Setup:



- Required
- Optional

Accessories:



**Power Supplies**  
see power supply section

**Controllers**  
see controller section

**Starter Cord / Link Cords**  
see pg. 165 under starter/  
extension cords

Specifications:

Wattage	Lumens	Efficacy (lm/W)	Input Voltage	Diode Life	Max Per 60W Power Supply	Mounting	Warranty	Beam Angle										
1W	69	69	12VDC	30,000 Hours	50 Fixtures	Recess	1 Year											
Photometric Data					Color Temperature													
		<table border="1"> <thead> <tr> <th>Height</th> <th>Light Output</th> <th>Beam Area</th> </tr> </thead> <tbody> <tr> <td>1ft (.3 m)</td> <td>37.60Fc (404.7lx)</td> <td>19ft L x 1.9ft W (.58 m L x .58 m W)</td> </tr> <tr> <td>3ft (.9 m)</td> <td>4.18Fc (45lx)</td> <td>5.8ft L x 5.8ft W (1.8 m L x 1.8 m W)</td> </tr> <tr> <td>6ft (1.8 m)</td> <td>1.04Fc (11.2lx)</td> <td>11.6ft L x 11.5ft W (3.5 m L x 3.5 m W)</td> </tr> </tbody> </table>	Height	Light Output	Beam Area	1ft (.3 m)	37.60Fc (404.7lx)	19ft L x 1.9ft W (.58 m L x .58 m W)	3ft (.9 m)	4.18Fc (45lx)	5.8ft L x 5.8ft W (1.8 m L x 1.8 m W)	6ft (1.8 m)	1.04Fc (11.2lx)	11.6ft L x 11.5ft W (3.5 m L x 3.5 m W)				
Height	Light Output	Beam Area																
1ft (.3 m)	37.60Fc (404.7lx)	19ft L x 1.9ft W (.58 m L x .58 m W)																
3ft (.9 m)	4.18Fc (45lx)	5.8ft L x 5.8ft W (1.8 m L x 1.8 m W)																
6ft (1.8 m)	1.04Fc (11.2lx)	11.6ft L x 11.5ft W (3.5 m L x 3.5 m W)																
L-LED-1EB-C Tested																		

See page 43 for part numbers and descriptions