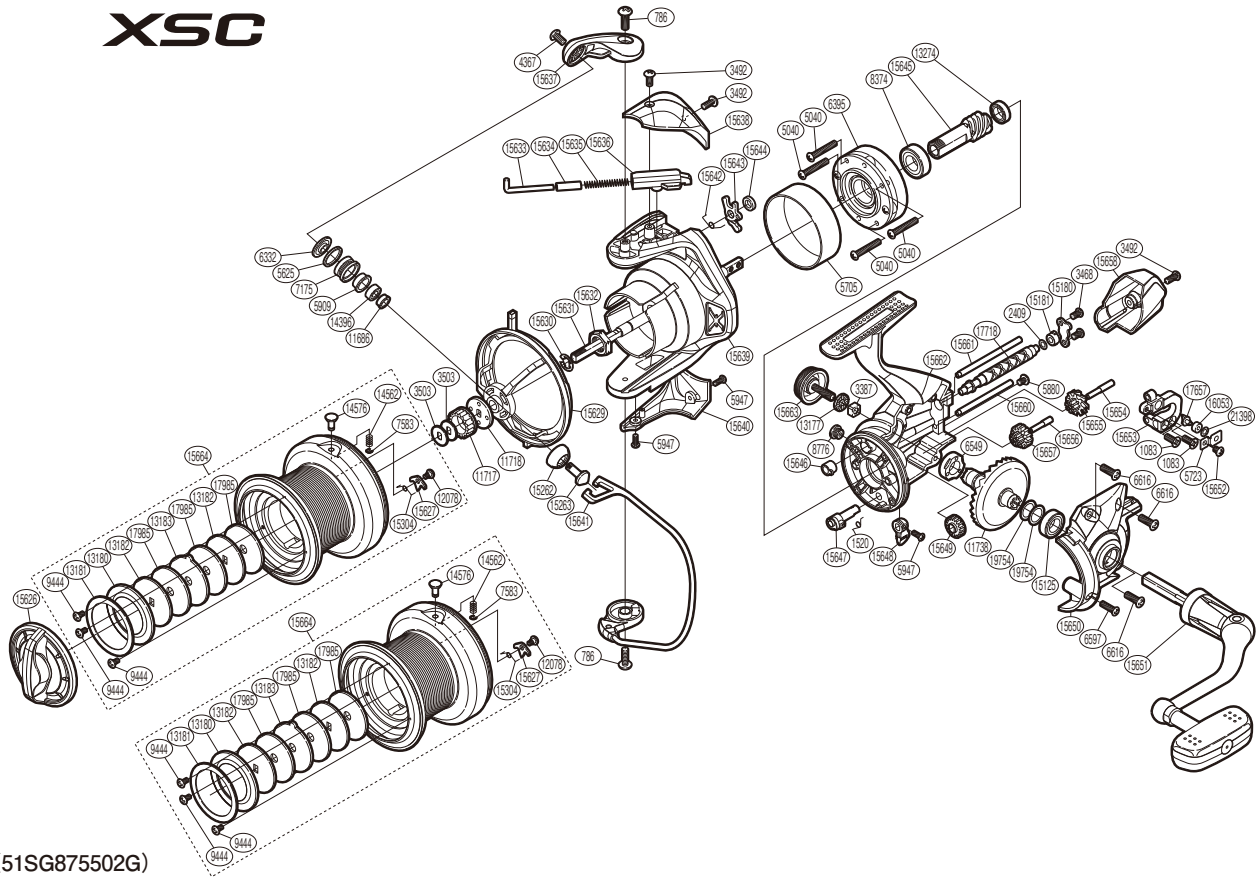


SHIMANO

ULTEGRA XSC

UL-5500XSC



(51SG875502G)

#	Part No.	Description	#	Part No.	Description	#	Part No.	Description
786	103J1	Screw	12078	10PH4	Screw	15641	106YU	Bail Assembly
1083	10ML8	Screw	13177	10J6A	Handle Screw Cap Spacer	15642	106PL	Lever Spring
1520	105B2	Anti-Reverse Cam Spring	13180	10B3R	Seal Plate A	15643	106KC	Bail Trip Lever
2409	1059U	Spacer	13181	10PLS	Seal Plate B	15644	10763	Washer
3387	10C6G	Handle Screw Lock	13182	10N29	Key Washer	15645	10BV6	Pinion Gear
3468	10LSN	Screw	13183	102XE	Eared Washer	15646	106M1	Worm Bushing (Front)
3492	103DC	Screw	13274	104PP	Ball Bearing	15647	1053L	Anti-Reverse Cam
3503	10B XK	Spool Washer	14396	104VQ	Ball Bearing	15648	10ANY	Anti-Reverse Lever
4367	10PMS	Screw	14562	10LQ3	Line Clip Spring	15649	10HBF	Idle Gear
5040	103LA	Screw	14576	10ATV	Line Clip	15650	10BZ7	Side Cover
5625	10KFF	Line Roller Spacer	15125	107FB	Ball Bearing	15651	10JAT	Handle Assembly
5705	106HS	Roller Clutch Ring	15180	10AT4	Worm Shaft Retainer	15652	103LG	Screw
5723	10H7L	Oscillating Pawl Cover	15181	106M3	Worm Bushing (Rear)	15653	10G61	Oscillating Slider
5880	10MT3	Screw	15262	10G8L	Line Roller Support Cover	15654	10CKJ	Idle Gear B Shaft
5909	10PFJ	Line Roller Bushing	15263	10Q3A	Line Roller Support	15655	10CNB	Idle Gear B
5947	103NH	Screw	15304	10JM4	Drag Click Spring	15656	10H4D	Idle Gear C Shaft
6332	107WW	Line Roller Washer	15626	102BJ	Drag Knob	15657	10H4A	Idle Gear C
6395	10QNW	Roller Clutch Assembly	15627	1038E	Drag Click	15658	10NGK	Rear Protector
6549	10J6M	Drive Gear Bushing	15629	1041G	Line Safety Guard	15660	10356	Oscillating Guide A
6597	10M2R	Screw	15630	105RY	Bearing Retainer	15661	104M6	Oscillating Guide B
6616	10M73	Screw	15631	10L4Q	Main Shaft	15662	102MF	Body
7175	10JLX	Line Roller	15632	1080W	Rotor Nut	15663	10N3U	Handle Screw Cap
7583	105NC	E Lock	15633	105YV	Bail Spring Guide A	15664	10J0U	Spool Assembly
8374	107FL	Ball Bearing	15634	10HDK	Bail Spring Guide A Support	16053	10JXM	Oscillating Slider Bushing
8776	104KM	Oil Cap	15635	105LJ	Bail Spring	17657	10DMN	Oscillating Pawl
9444	10MT0	Screw	15636	107A7	Bail Spring Guide B	17718	10DMQ	Worm Shaft
11686	10GAD	Bearing Spacer	15637	10KGZ	Bail Arm	17985	10PE9	Drag Washer
11717	10Q03	Spool Support A	15638	1087M	Bail Spring Cover	19754	10DKJ	Washer
11718	10GH4	Spool Support B	15639	10PLW	Rotor	21398	10RKQ	Washer
11738	104A3	Drive Gear	15640	10MK0	Bail Hold Support Guard			

Please note that the number of adjusting washers may not be the same as shown in the exploded views.
(Adjustment will vary with each individual product.)

(241030)_005