

# INSTALLATION AND SAFETY INSTRUCTIONS

## FOR YOUR SAFETY

**WARNING:** BE SURE THE ELECTRICITY TO THE WIRES YOU ARE WORKING ON IS SHUT OFF; EITHER THE FUSE IS REMOVED OR THE CIRCUIT BREAKER IS SHUT OFF.

## GENERAL

You don't need special tools to install this fixture. Be sure to follow the steps in the order given. Under no circumstances should a fixture be hung on house electrical wires, nor should a swag type fixture be installed on a ceiling, which contains a radiant type heating system. Read instructions carefully. If you are unclear as to how to proceed, consult a qualified electrician.

**NOTE:** Proper wiring is essential for the safe operation of this fixture.

## FIXTURE ASSEMBLY

Carefully removed the fixture from the carton and check that all parts are included as shown in figure. Be careful not to misplace any of the screws or parts, which are needed to install this fixture.

## INSTALLATION

**Step 1:** Unscrew the rubber rings (F) and ball nuts (E) from the mounting bracket (A) use the mounting screws (B) to attach the mounting bracket (A) to the outlet box (not included).

**Step 2:** Pull out the source wires from the outlet box(not included).

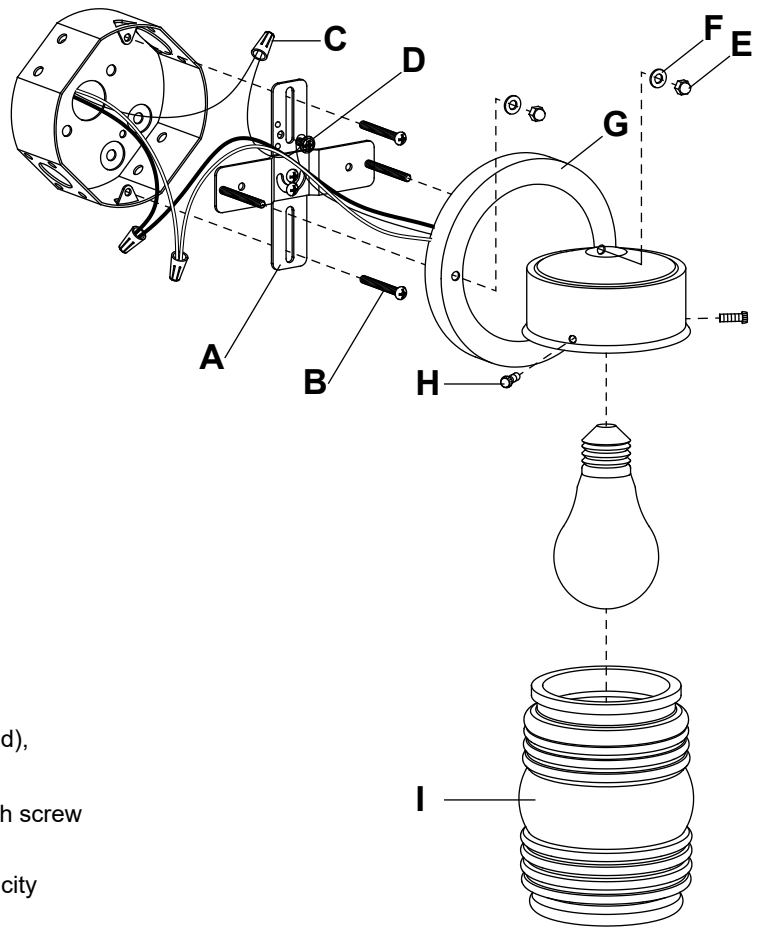
**Make wire connections with wire connectors(C) as follows:**

- Use the wire connector(C) to connect the white fixture wire to the white (neutral) supply wire from the outlet box (not included).
- Use the wire connector(C) to connect the black fixture wire to the black (live) supply wire from the outlet box (not included).
- Wrap the ground wire from the fixture body (G) around the ground screw (D) on the mounting bracket (A). Connect the ground wire from the fixture body (G) to the ground wire from the outlet box (not included), cover the connection with wire connector (C).

**Step 3:** Attach the fixture body (G) to the mounting bracket (A) through screw holes as shown, and secure it with rubber rings (F) and ball nuts (E).

**Step 4:** Install the bulb(not included. Don't exceed the maximum capacity recommended on the fixture).

**Step 5:** Remove the screws (H) from the fixture body (G). Attach the glass shade (I) onto fixture body (G) using screws (H) as show.



## CAULKING INSTRUCTIONS

After securing Backplate Assembly against the wall, seal around the gap between the wall and backplate with good quality waterproof caulk or silicone sealant (not included) and allow to dry (Leave a small space at the bottom to allow any condensation or moisture to escape)

## CLEANING

To clean, wipe fixture with a soft and dry cloth. Do not use abrasive materials such as scouring pads or powders, steel wool or abrasive paper.

**Line art shown may not exactly match the fixture enclosed. However, the installations do apply to this fixture.**

## CAULKING INSTRUCTIONS

