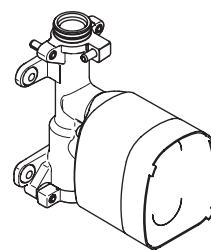
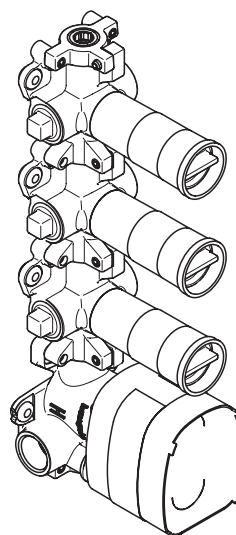


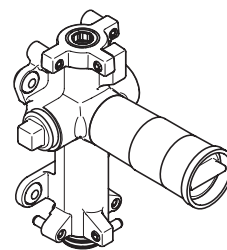
EN / Assembly instructions / Instructions for use
FR / Instructions de montage / Mode d'emploi
ES / Instrucciones de montaje / Modo de empleo



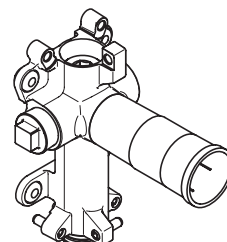
AXOR Shower Collection
10650181



AXOR Shower Collection
10750181



AXOR Shower Collection
10971181



AXOR Shower Collection
28486181

ENGLISH

TECHNICAL INFORMATION

Recommended water pressure	15 - 75 PSI
Max. water pressure	145 PSI
Recommended hot water temp.	120° - 140° F*
Max. hot water temp	176°F*
Flow rate @ 44 PSI - 10750181	15 GPM

* Please know and follow all applicable local plumbing codes when setting the temperature on the water heater.

INSTALLATION CONSIDERATIONS

/ For best results, Hansgrohe recommends that this unit be installed by a licensed, professional plumber.

/ Please read over these instructions thoroughly before beginning installation. Make sure that you have all tools and supplies needed to complete the installation.

/ To prevent scald injury, the maximum output temperature of the shower valve must be no

higher than 120°F. In Massachusetts, the maximum output temperature can be no higher than 112° F.

/ Keep this booklet and the receipt (or other proof of date and place of purchase) for this product in a safe place. The receipt is required should it be necessary to request warranty parts.

FRANÇAIS

DONNÉES TECHNIQUES

Pression d'eau recommandée	15 - 75 PSI
Pression d'eau maximum	145 PSI
Température recommandée d'eau chaude	120° - 140° F*
Température maximum d'eau chaude	176°F*
Débit à 44 PSI - 10750181	15 GPM

* Vous devez connaître et respecter tous les codes de plomberie locaux applicables pour le réglage de la température du chauffe-eau.

À PRENDRE EN CONSIDÉRATION POUR L'INSTALLATION

/ Pour de meilleurs résultats, Hansgrohe recommande que ce produit soit installé par un plombier professionnel licencié.

/ Veuillez lire attentivement ces instructions avant de procéder à l'installation. Assurez-vous de disposer de tous les outils et du matériel nécessaires pour l'installation.

/ Pour empêcher des blessures par ébullition, la température de sortie

maximale du robinet de douche ne doit pas excéder 120°F. Au Massachusetts, la température de sortie maximale du robinet de douche ne doit pas excéder 112°F.

/ Conservez ce livret et le reçu (ou une autre preuve sur laquelle figurent la date et l'endroit de l'achat) pour ce produit dans un endroit sûr. Le reçu est requis si vous commandez des pièces sous garantie.

ESPAÑOL

DATOS TECNICOS

Presión recomendada en servicio	15 - 75 PSI
Presión en servicio max.	145 PSI
Temperatura recomendada del agua caliente	120° - 140° F*
Temperatura del agua caliente max.	176° F*
Caudal a 44 PSI - 10750181	15 GPM

* Debe conocer y cumplir todos los códigos locales aplicables para ajustar la temperatura del calentador de agua.

CONSIDERACIONES PARA LA INSTALACIÓN

/ Para obtener mejores resultados, la instalación debe estar a cargo de un plomero profesional matriculado.

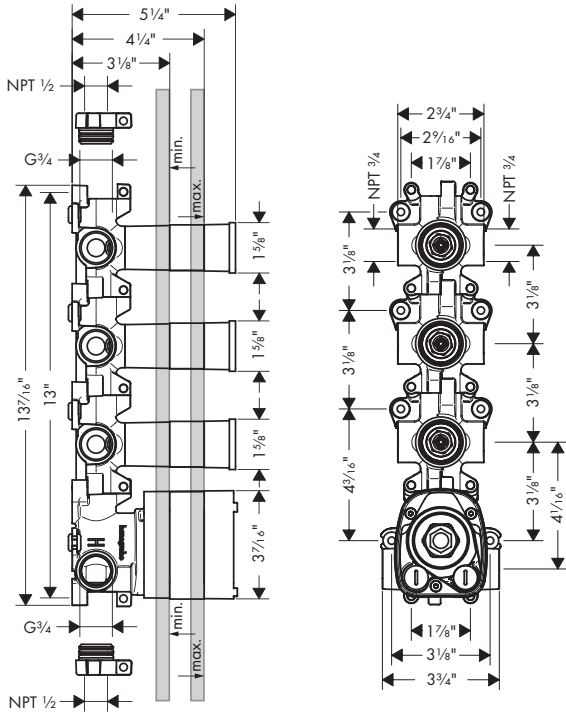
/ Antes de comenzar la instalación, lea estas instrucciones detenidamente. Asegúrese de tener las herramientas y los insumos necesarios para completar la instalación.

/ Para evitar escaldaduras, la máxima temperatura de salida de la válvula de la

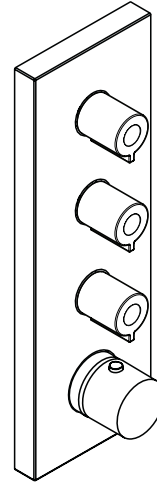
ducha no debe exceder los 120°F. En Massachusetts, la máxima temperatura de salida de la válvula de la ducha no debe exceder los 112°F.

/ Mantenga este folleto y el recibo (u otro comprobante del lugar y fecha de compra) de este producto en lugar seguro. El recibo se requiere en caso de ser necesario solicitar piezas bajo garantía.

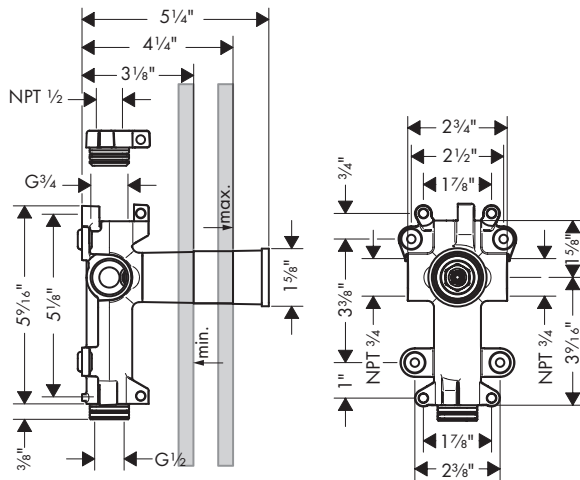
AXOR Thermostatic Module
10750181



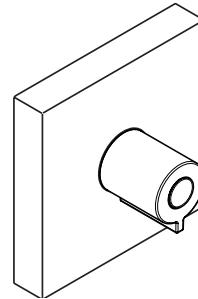
AXOR Starck Thermostatic Module Trim
10751xx1
(not included / non compris / no incluidos)



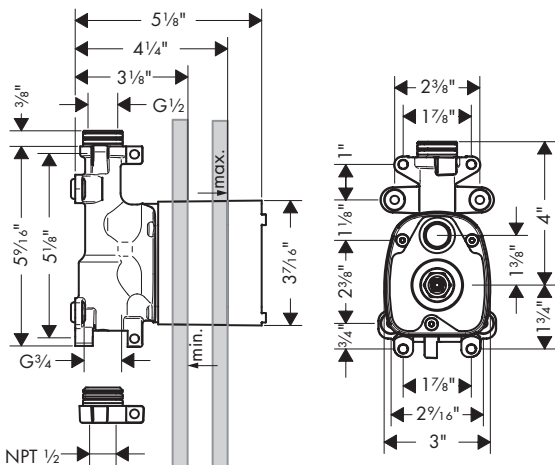
AXOR Volume Control
10971181



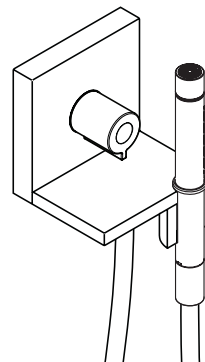
AXOR Starck Volume Control Trim
10972xx1
(not included / non compris / no incluidos)



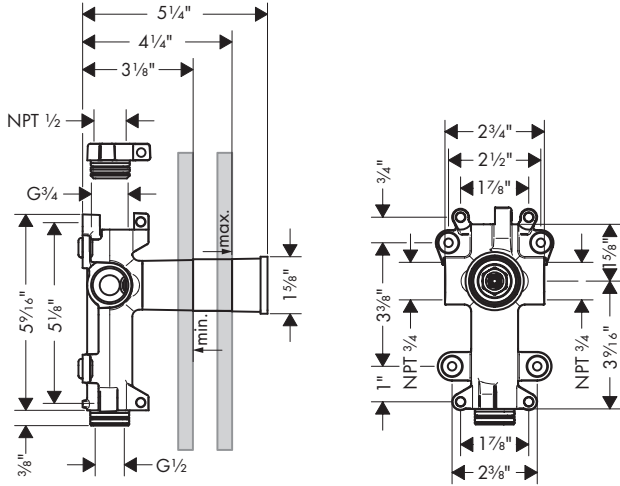
AXOR Handshower Module
10650181



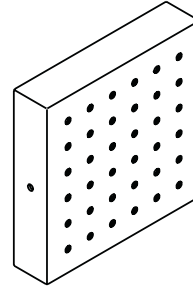
AXOR Starck Handshower Module Trim
10651xx1
(not included / non compris / no incluidos)



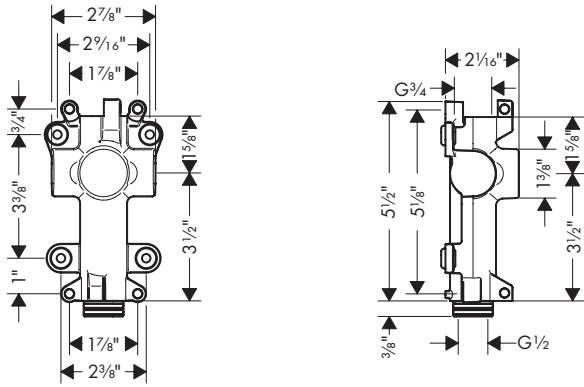
AXOR Shower Module
28486181



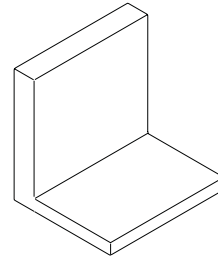
AXOR Shower Module Trim
28491xx1
not included / non compris / no incluidos



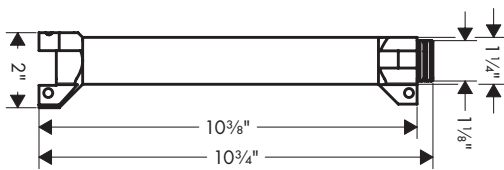
AXOR Rough for Small Shelf / Extension Pipe
40877180



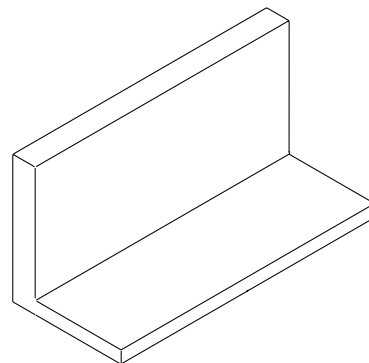
AXOR Shelf
40872xx0
not included / non compris / no incluidos



AXOR Rough for Large Shelf / Extension Pipe
40878180



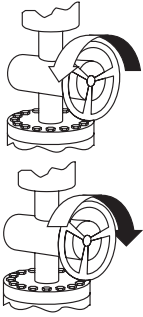
AXOR Shelf
40873xx0
not included / non compris / no incluidos



SYMBOLS

SYMBOLES

SIMBOLOS



Water on

Eau marche

Agua abierto



Hot water

Eau chaude

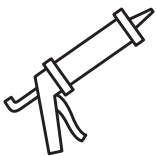
Agua Caliente



Cold water

Eau froide

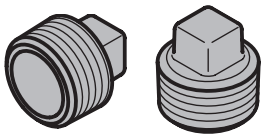
Agua fría



Waterproof sealant

Silicone

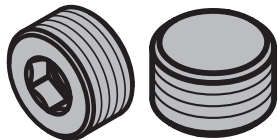
Silicona



Plug the unused outlet

La sortie non utilisée doit être condamnée avec un bouchon.

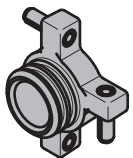
La salida que no se utiliza debe ser tapada.



Plug

Bouchon

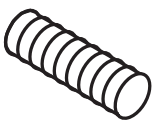
Tapón



1/2 NPT adapter

Adapteur 1/2 NPT

Adaptador 1/2 NPT



Conduit

Tube vide

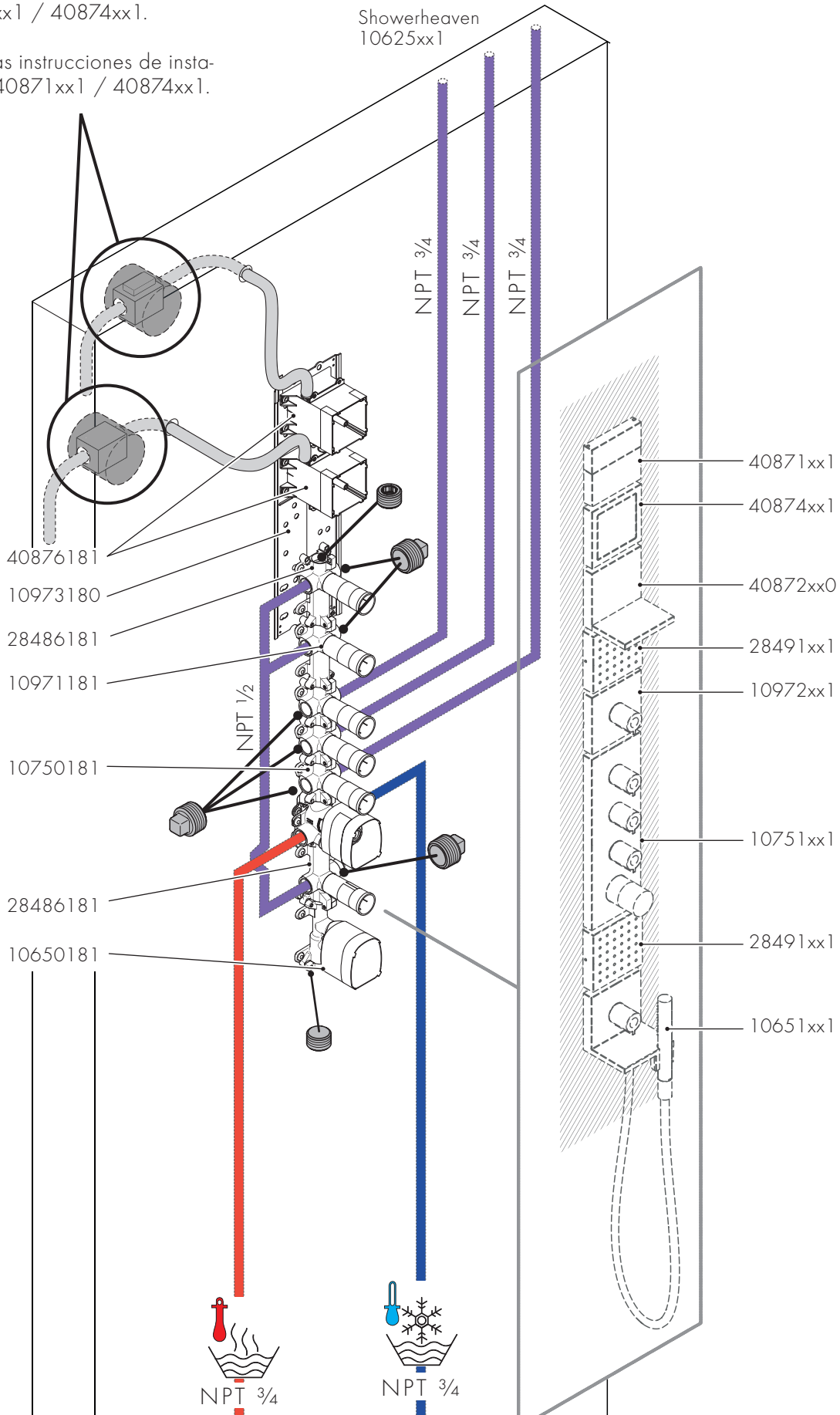
Tubo vacío

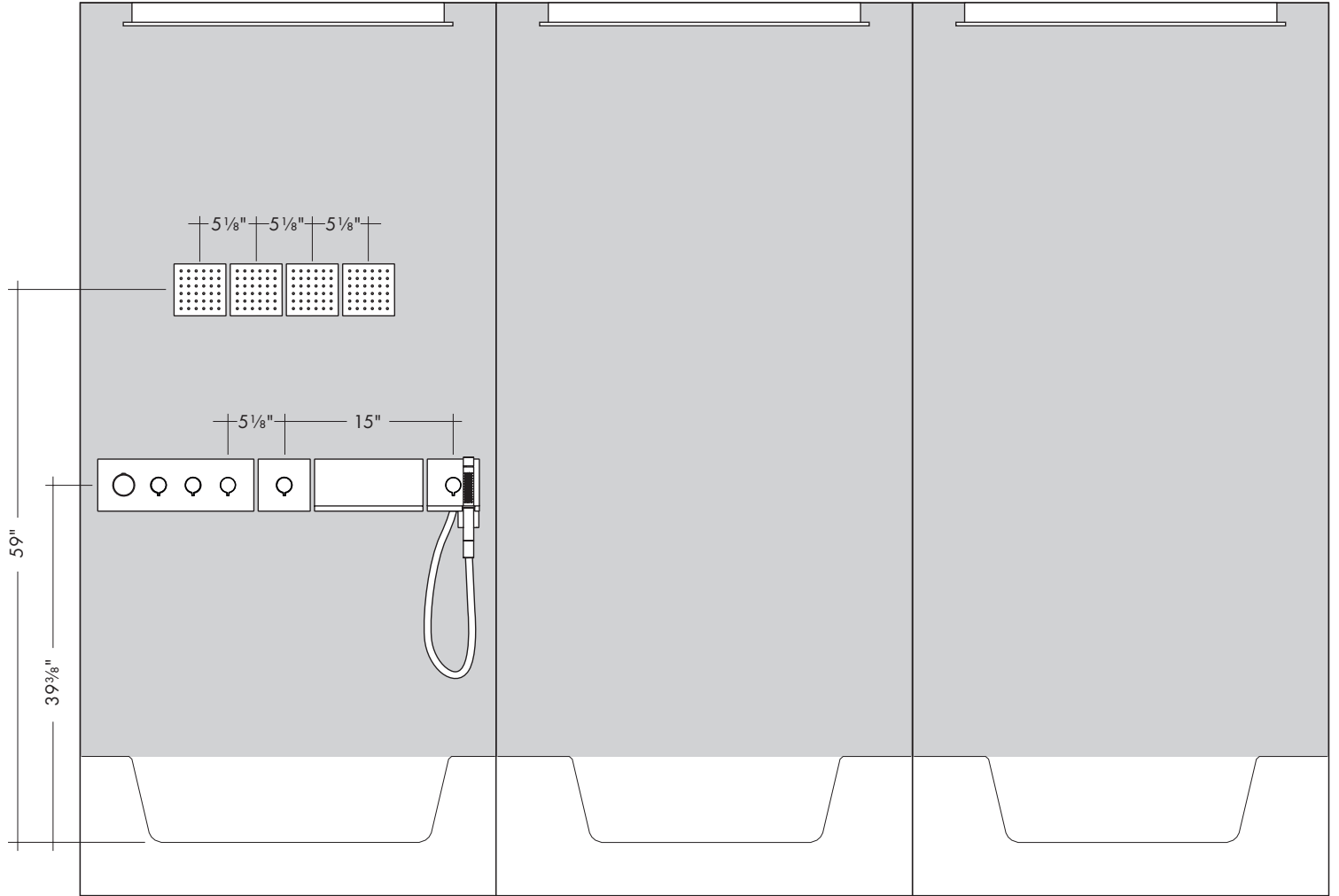
INSTALLATION SUGGESTIONS / SUGGESTIONS D'INSTALLATION / SUGERENCIAS PARA LA INSTALACIÓN

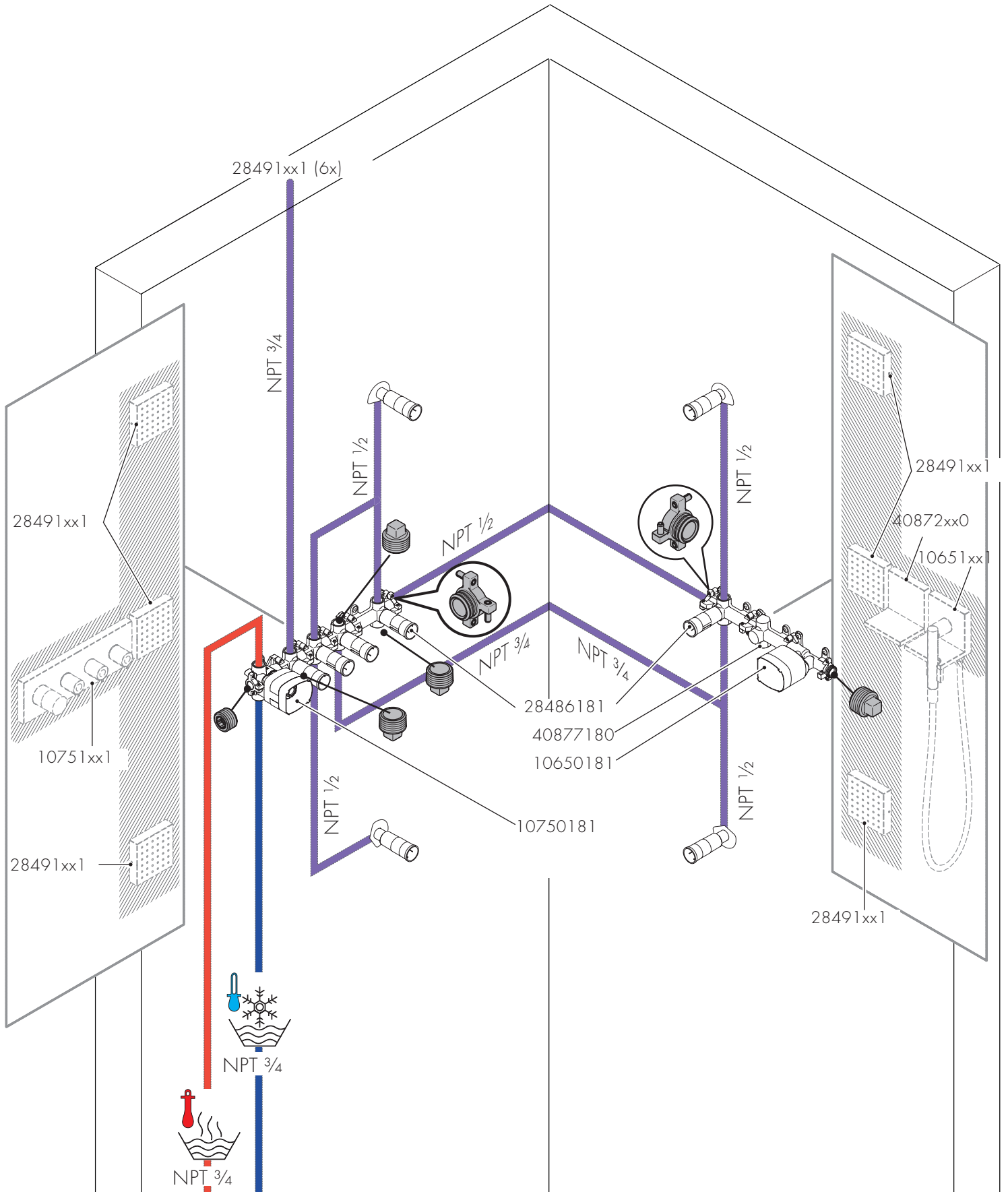
Refer to the installation instructions for 40871xx1 / 40874xx1.

Veillez lire les instructions d'installation pour # 40871xx1 / 40874xx1.

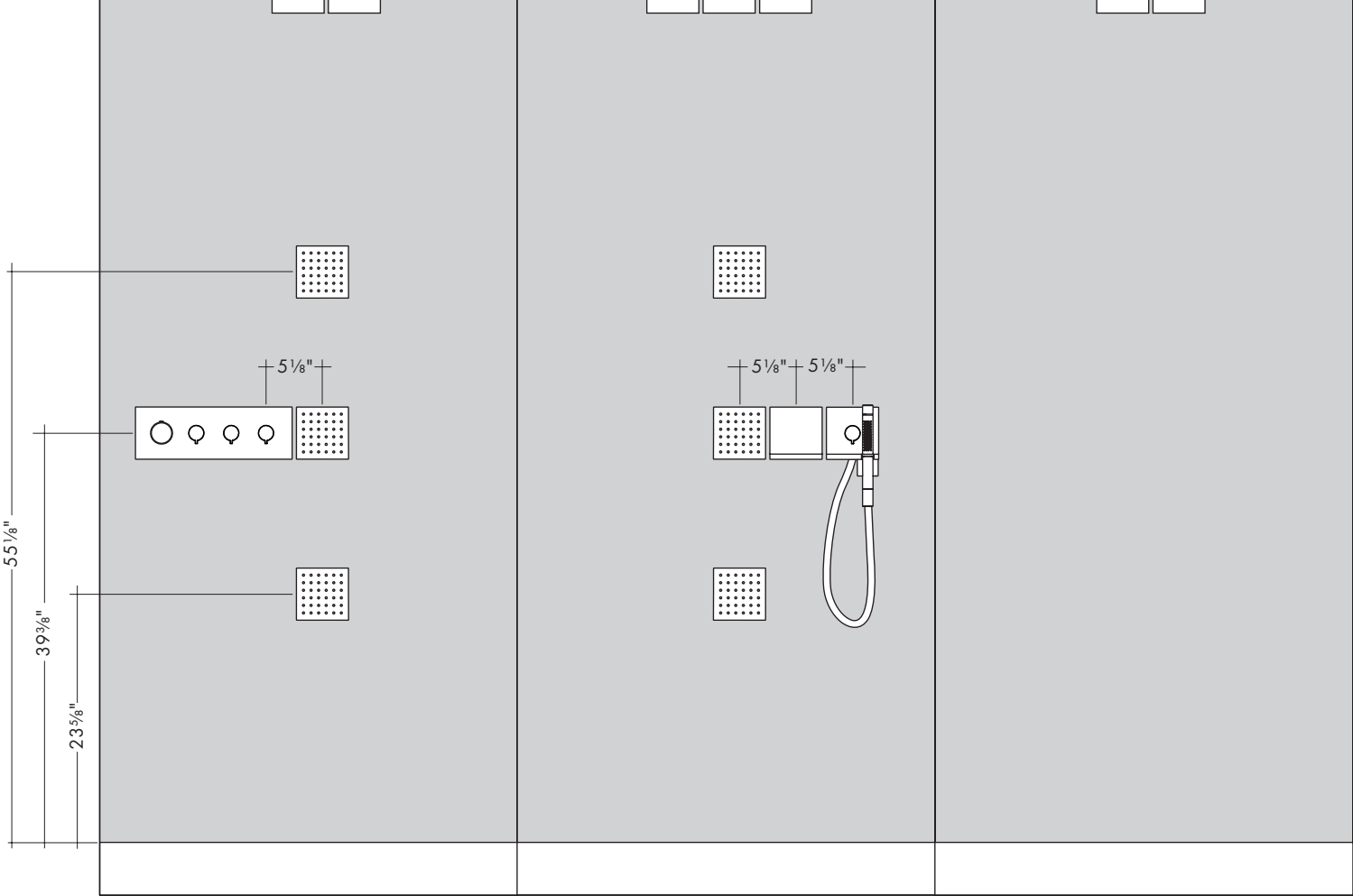
Por favor, lea las instrucciones de instalación para # 40871xx1 / 40874xx1.

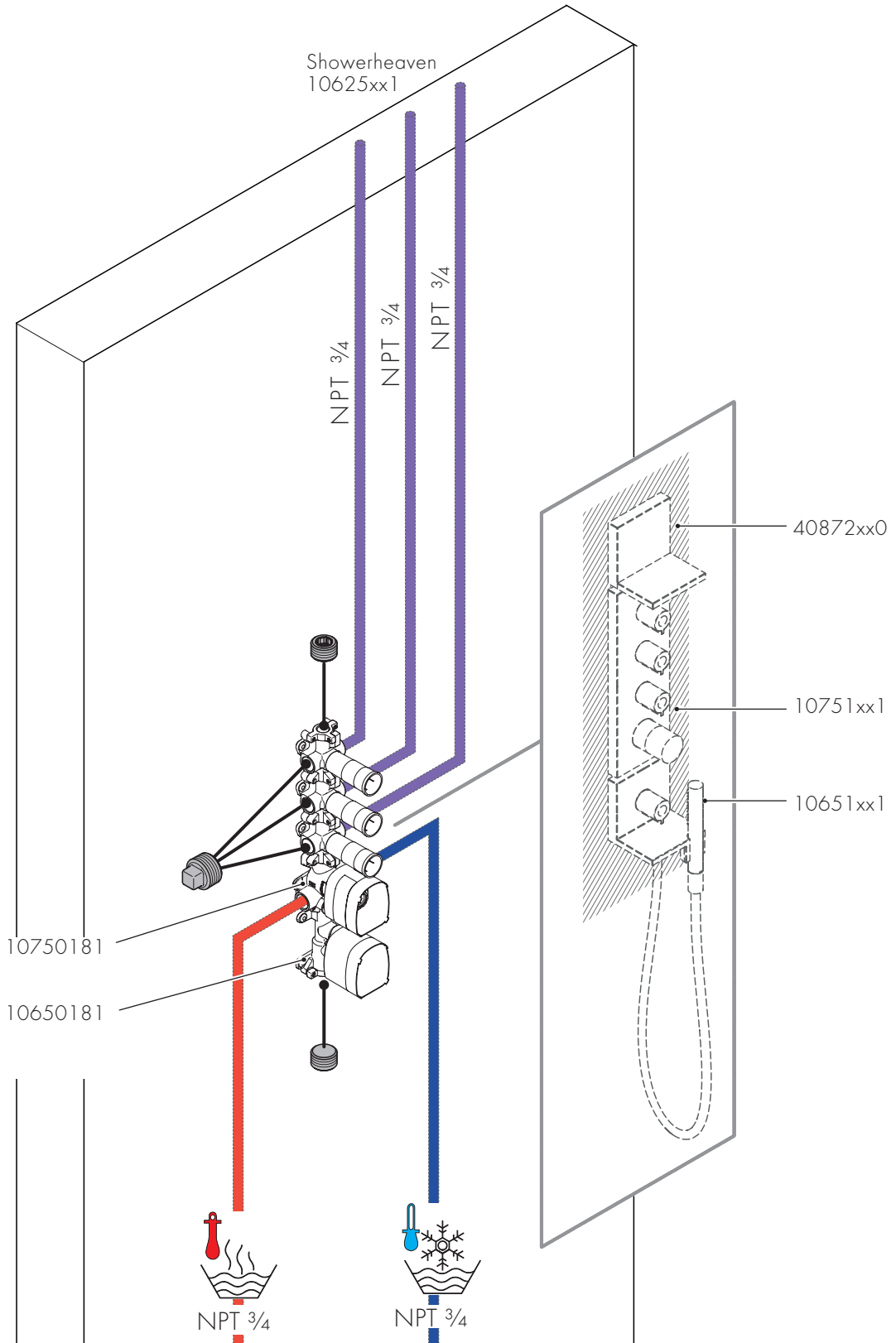




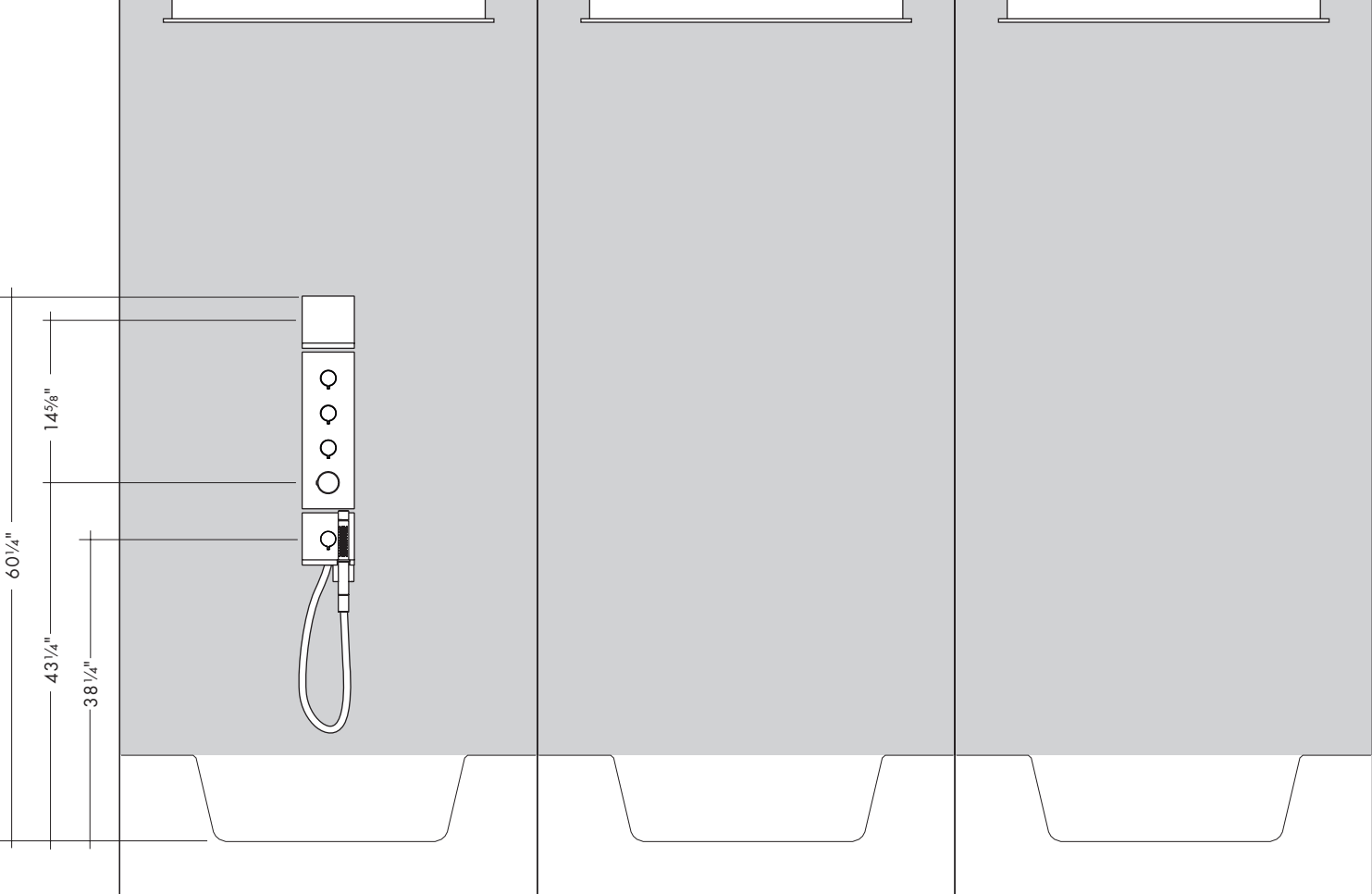


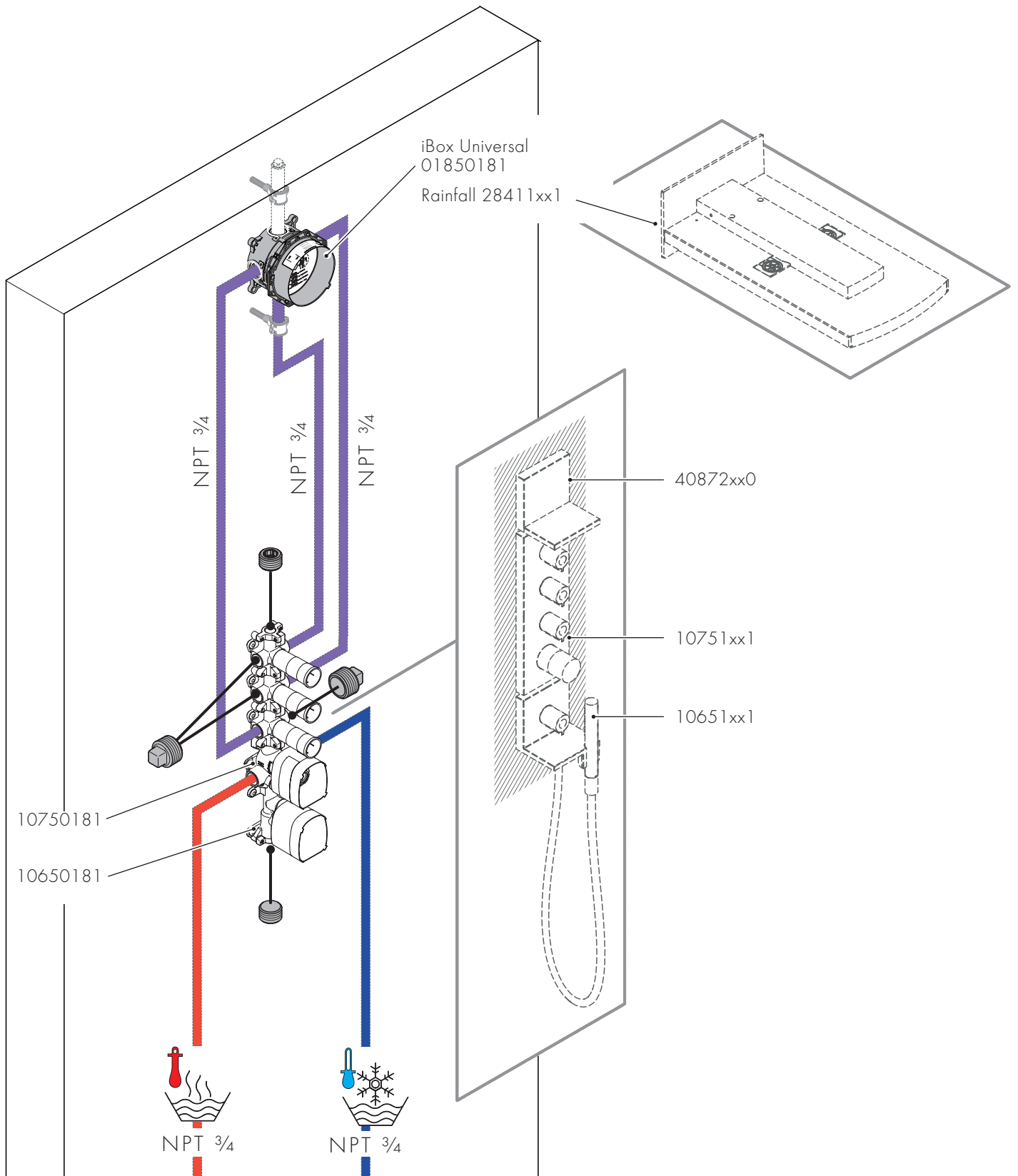
INSTALLATION SUGGESTIONS / SUGGESTIONS D'INSTALLATION / SUGERENCIAS PARA LA INSTALACIÓN

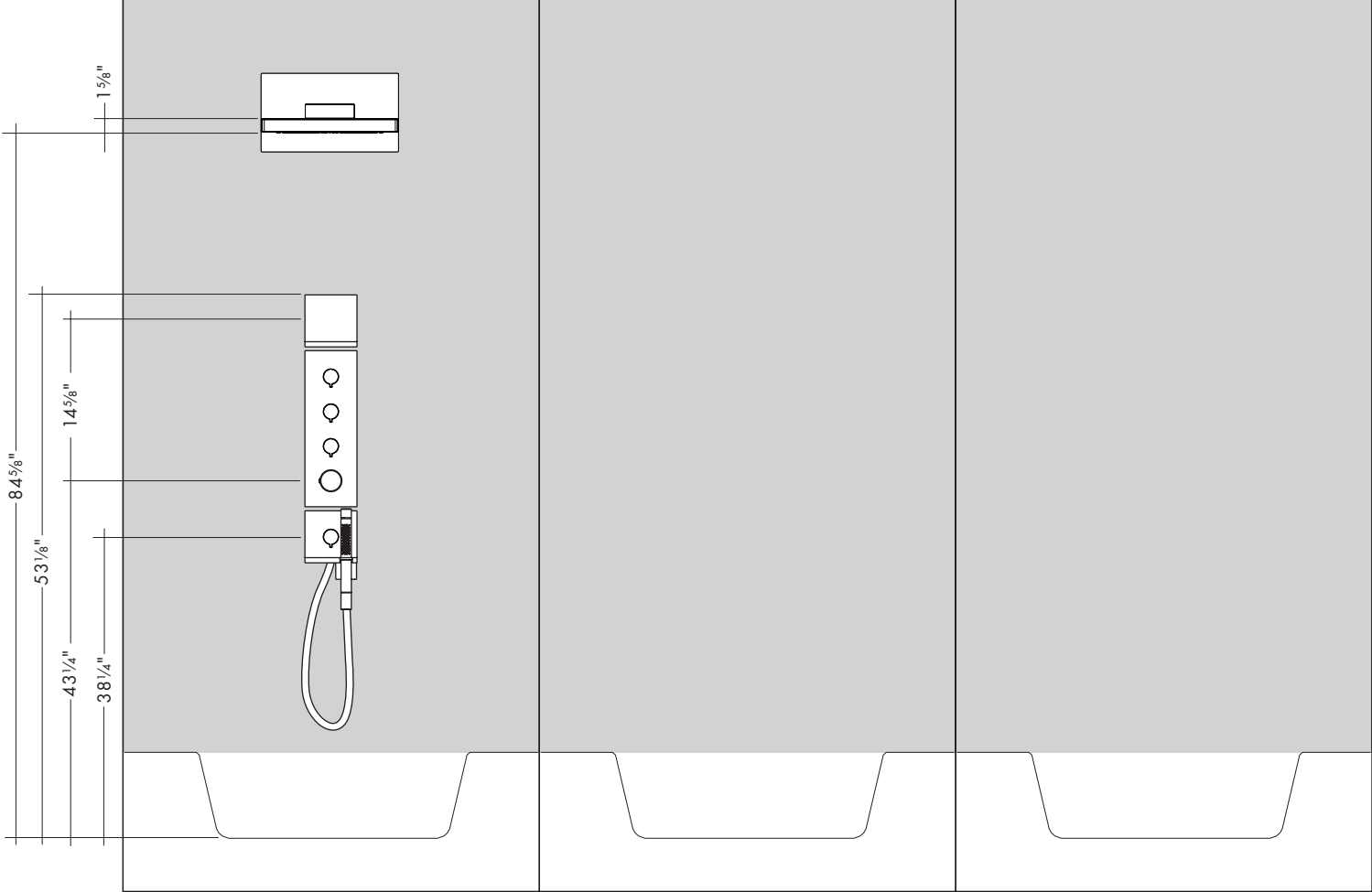


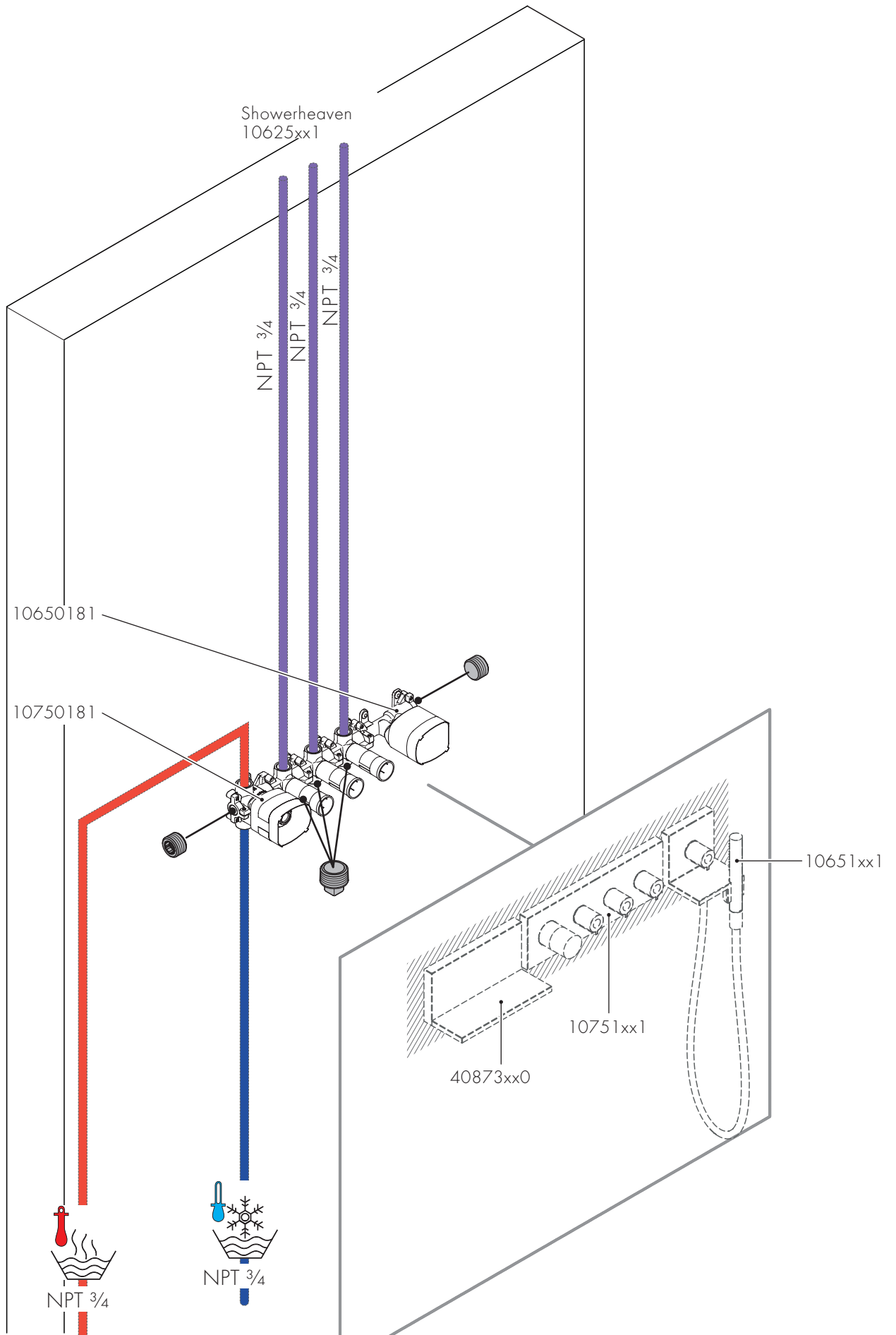


INSTALLATION SUGGESTIONS / SUGGESTIONS D'INSTALLATION / SUGERENCIAS PARA LA INSTALACIÓN

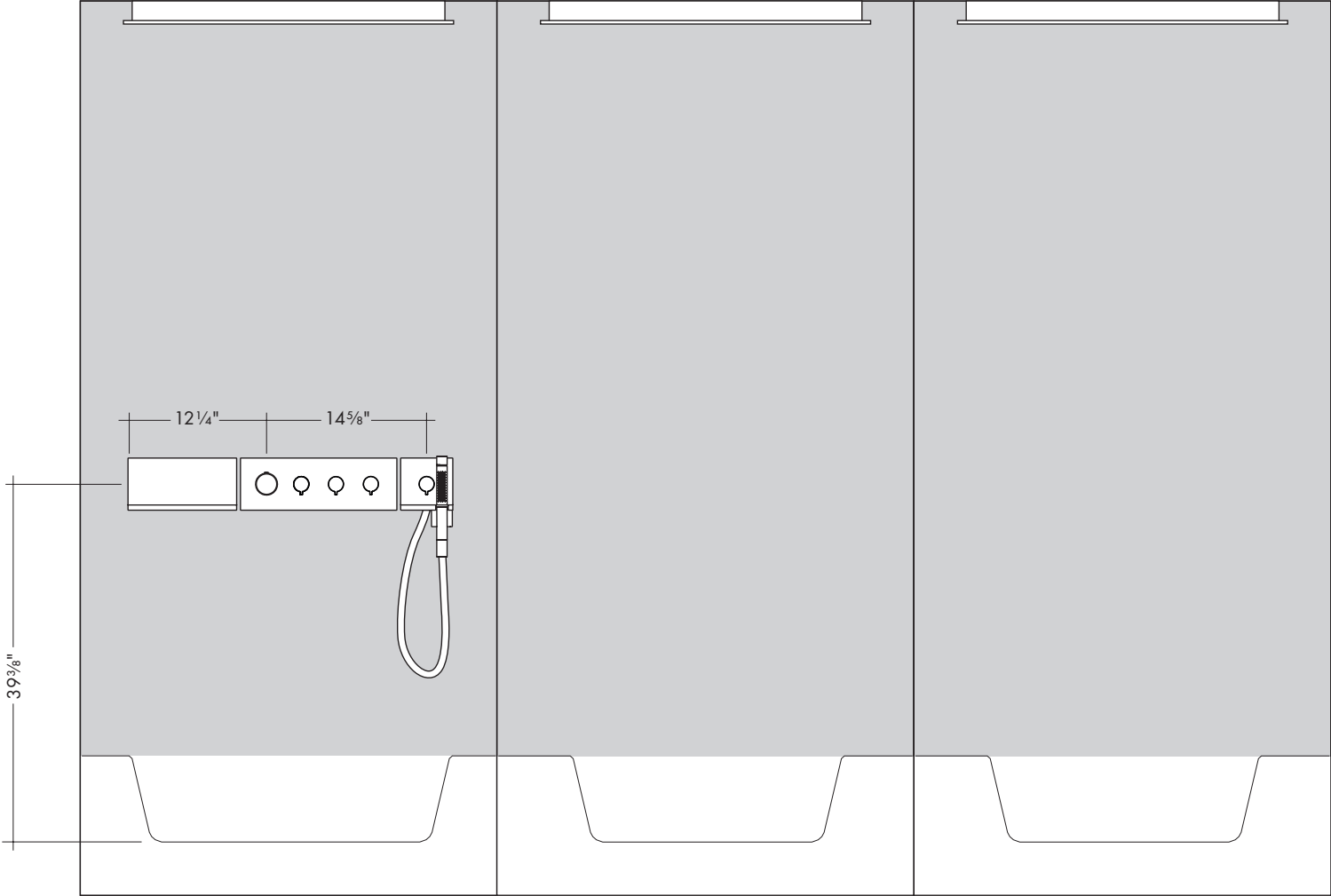


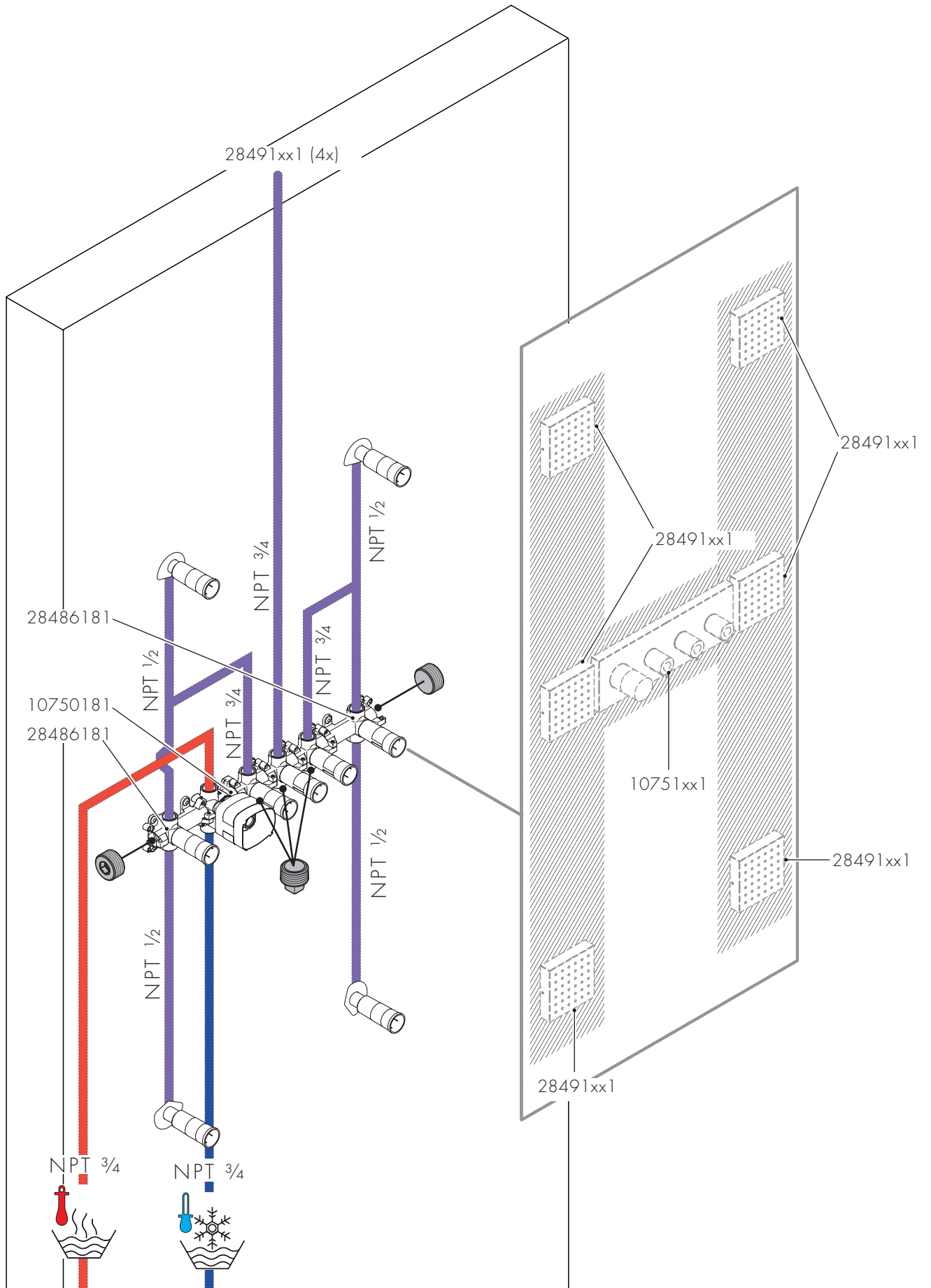


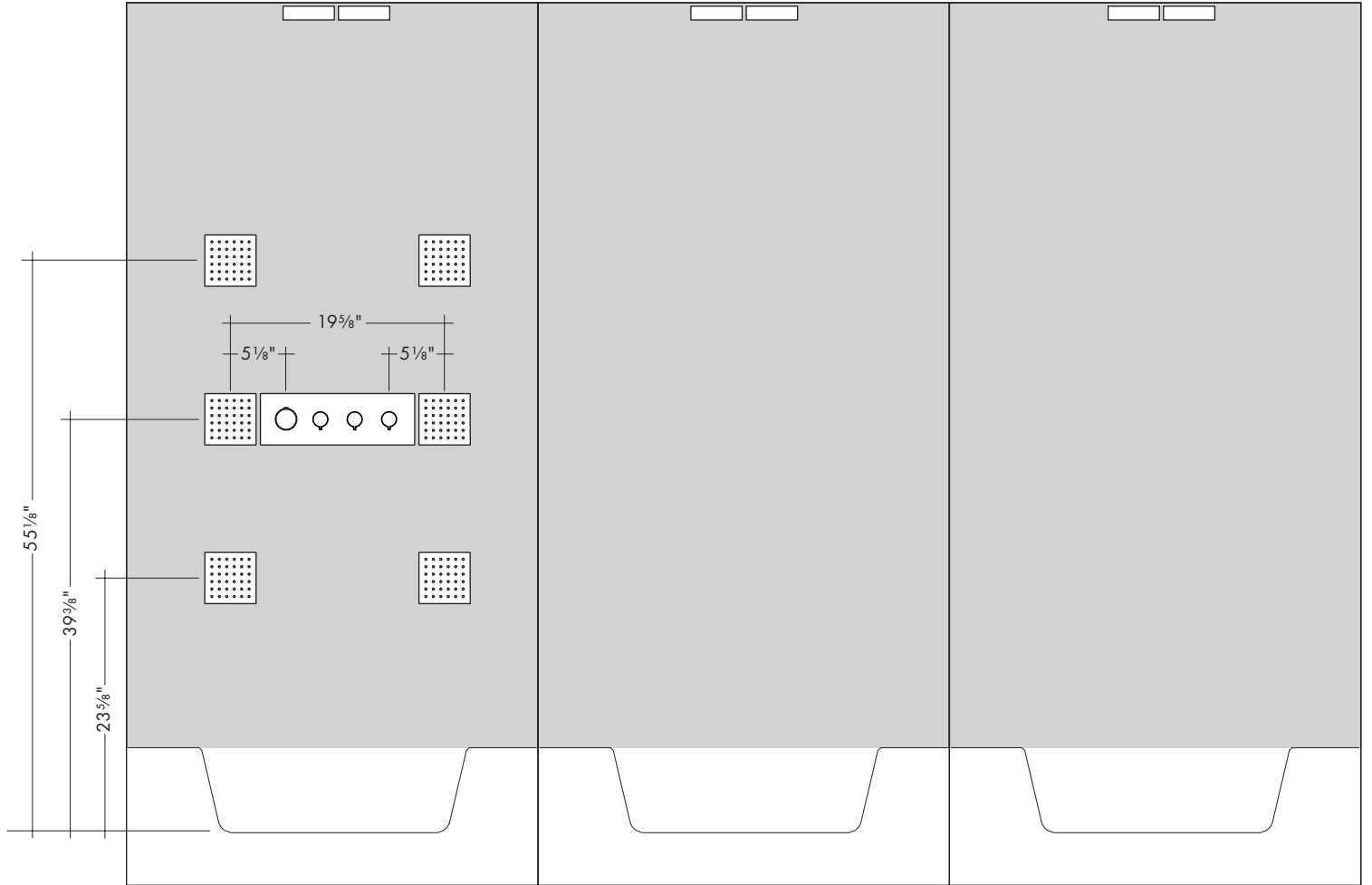




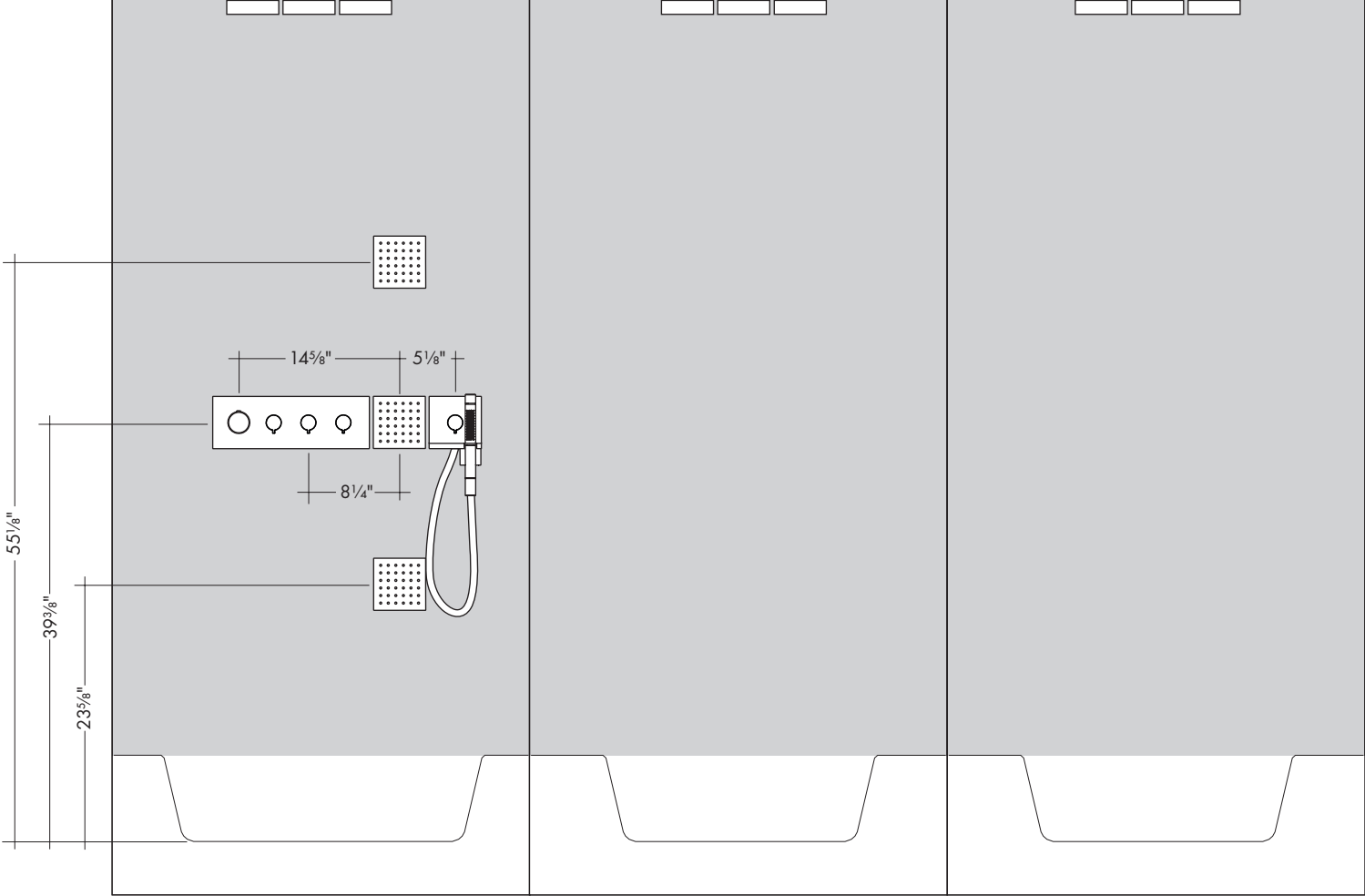
INSTALLATION SUGGESTIONS / SUGGESTIONS D'INSTALLATION / SUGERENCIAS PARA LA INSTALACIÓN

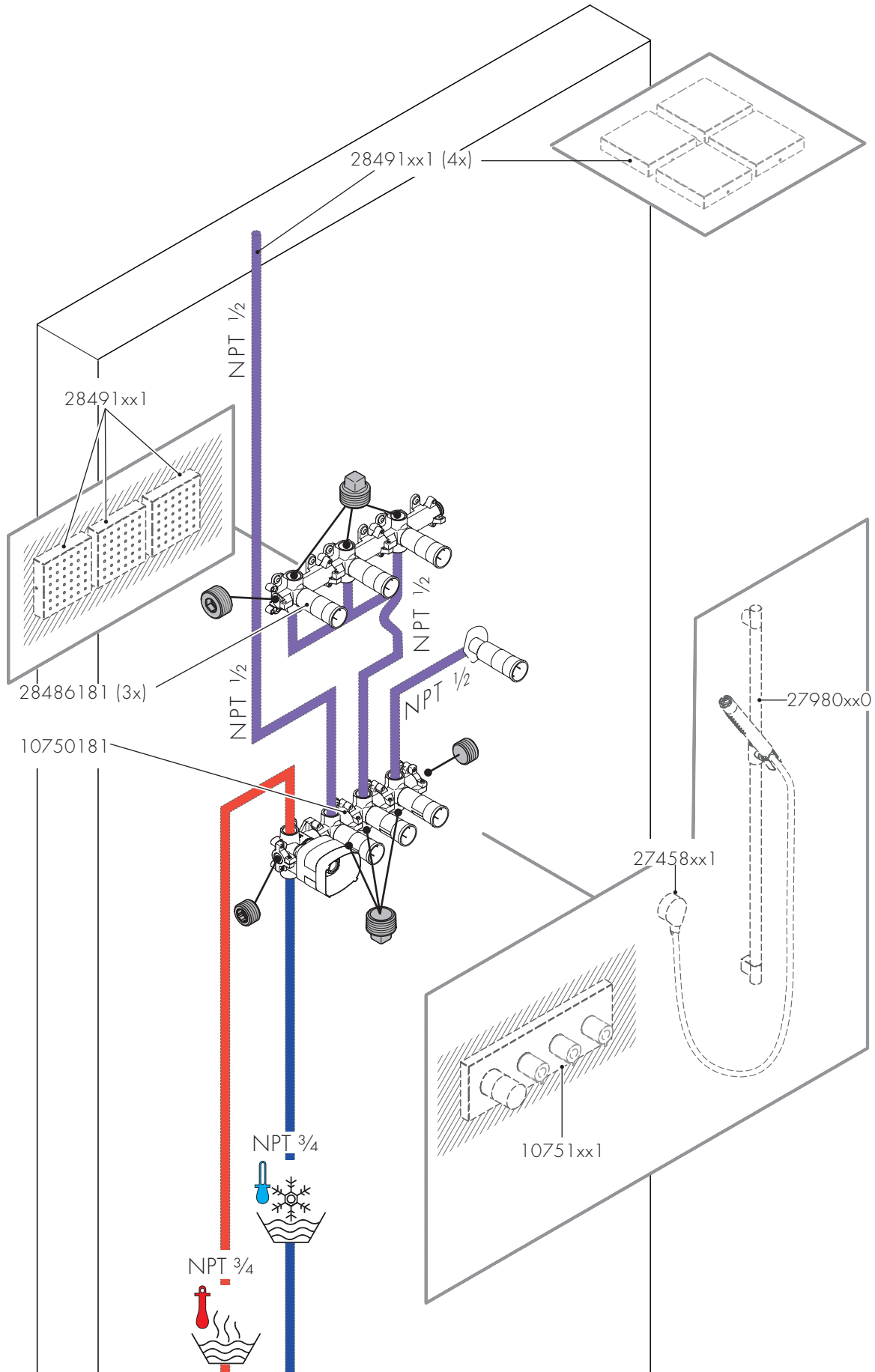


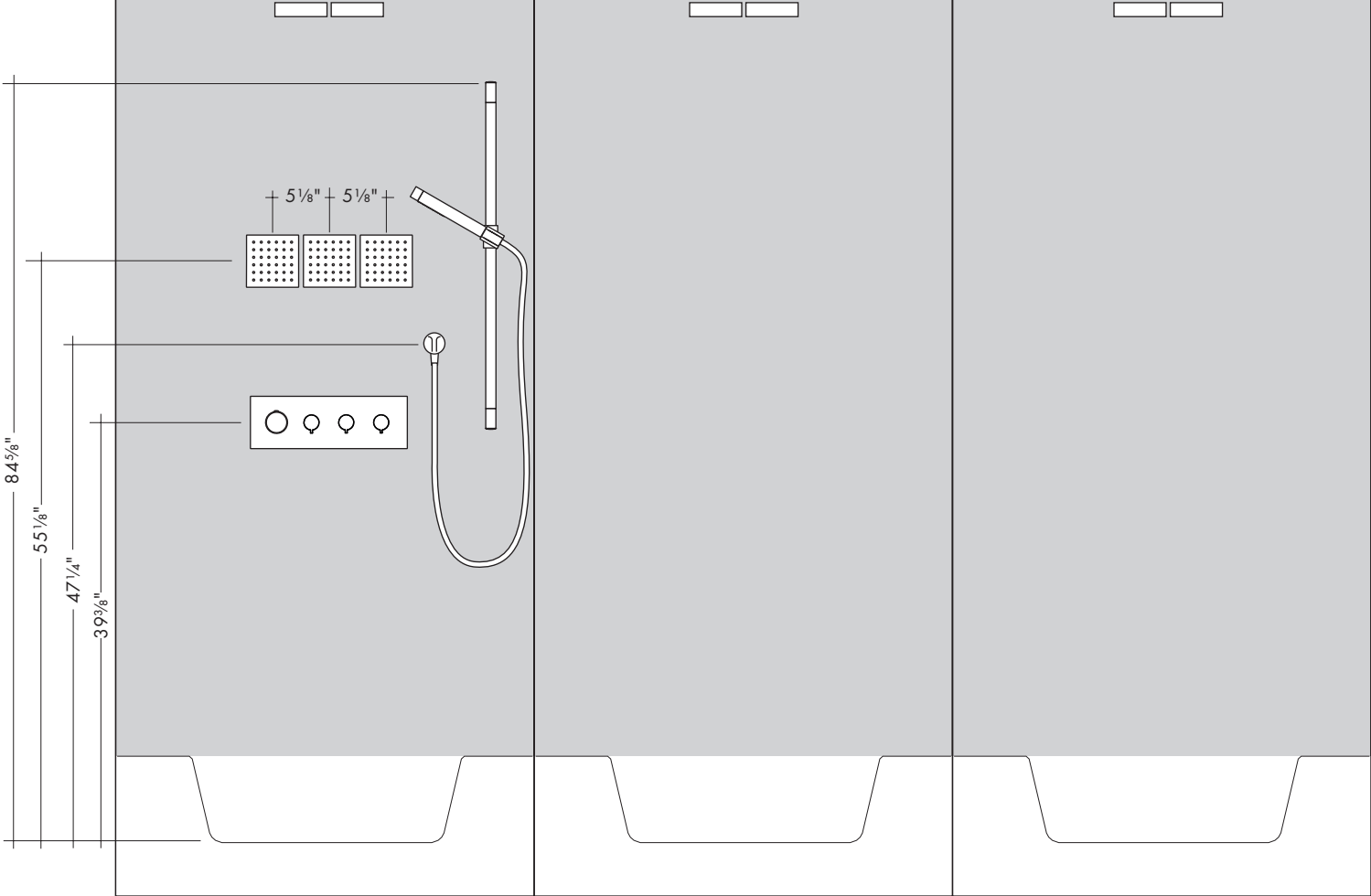


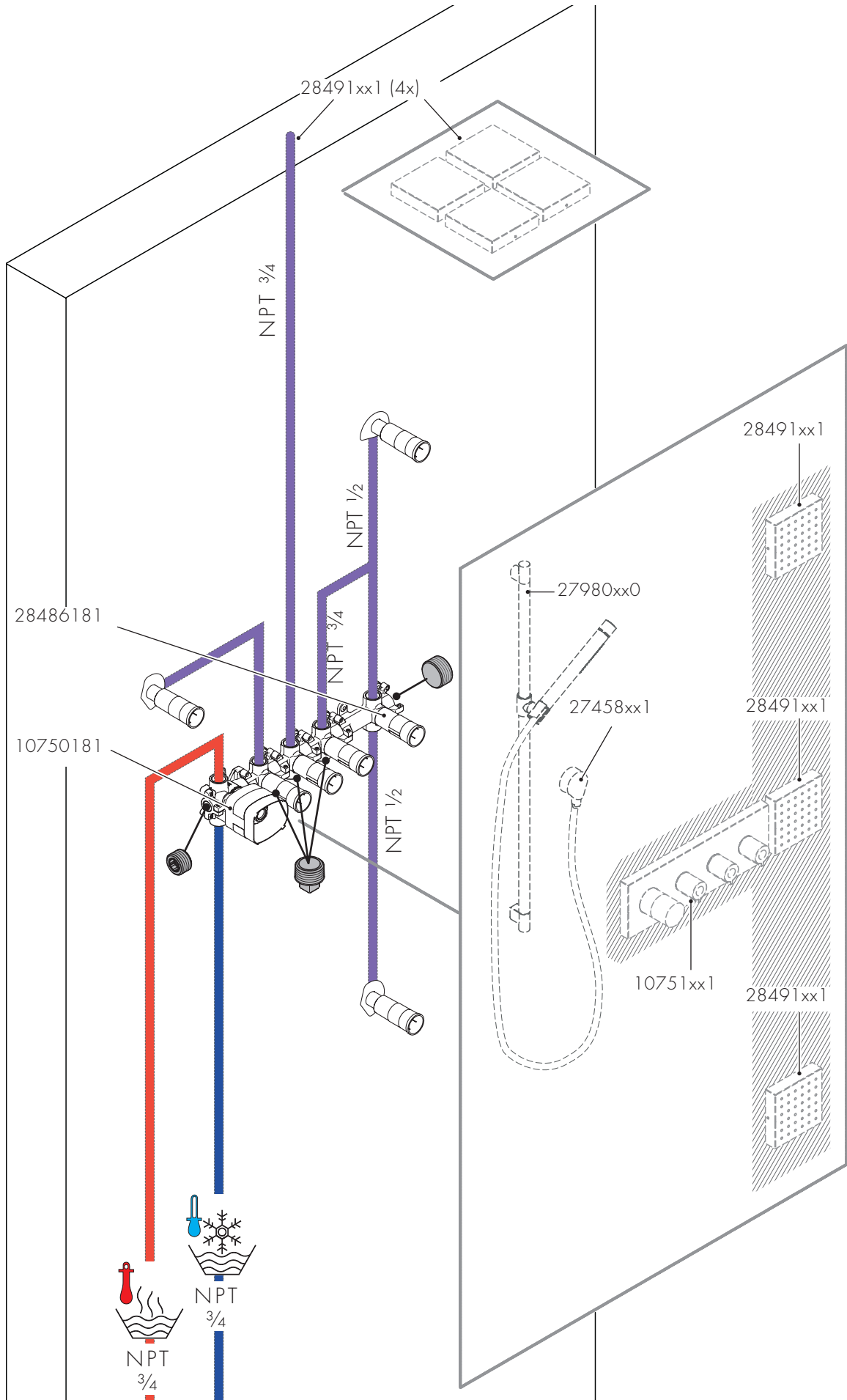


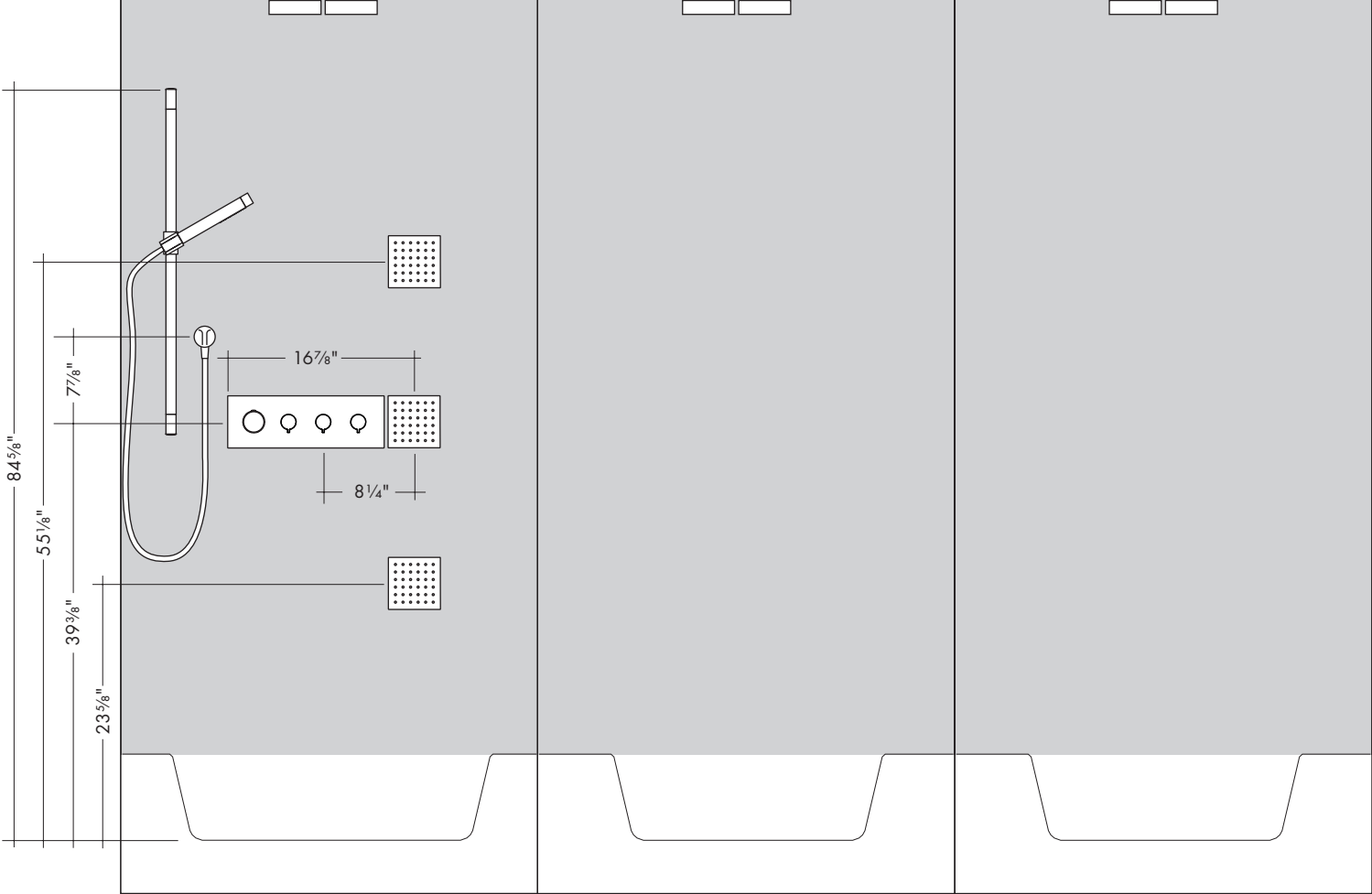
INSTALLATION SUGGESTIONS / SUGGESTIONS D'INSTALLATION / SUGERENCIAS PARA LA INSTALACIÓN

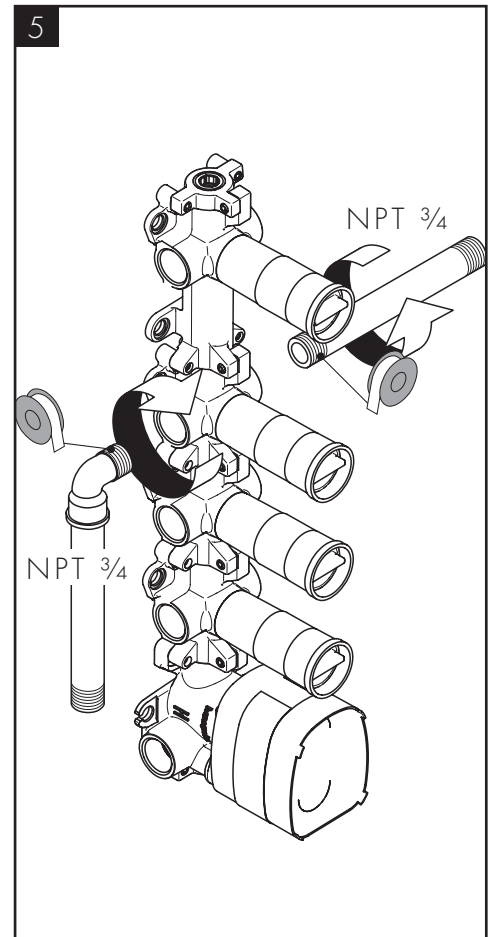
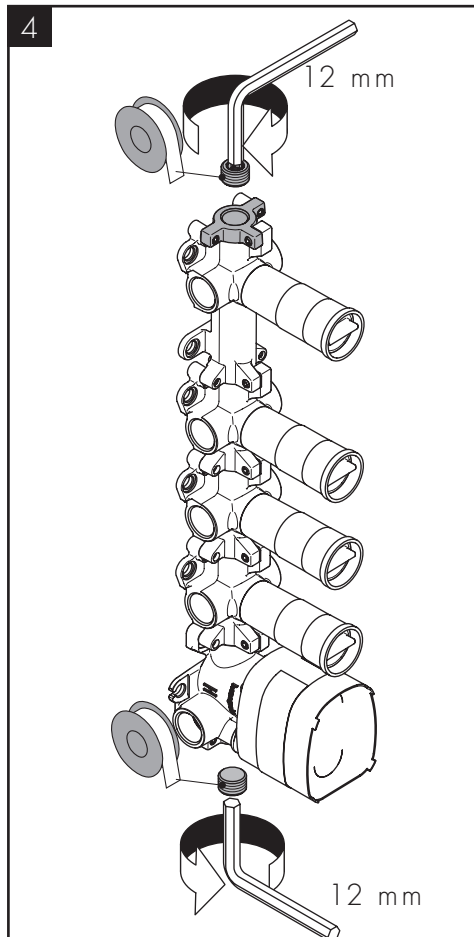
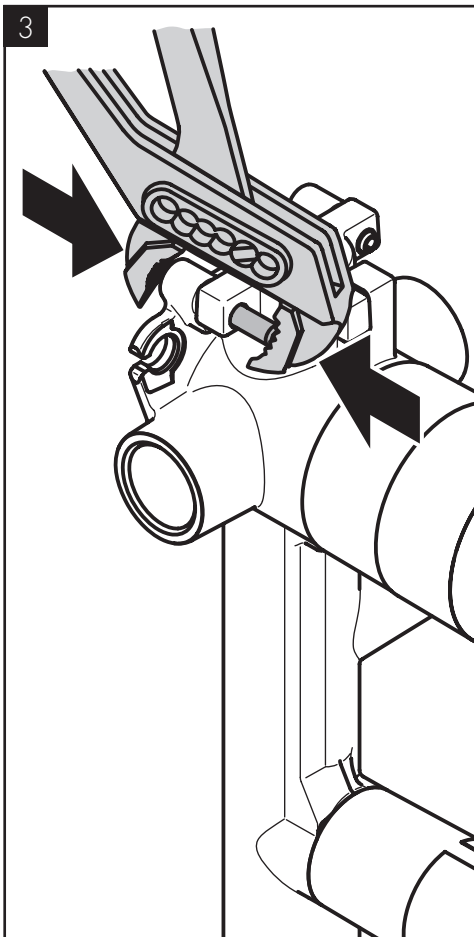
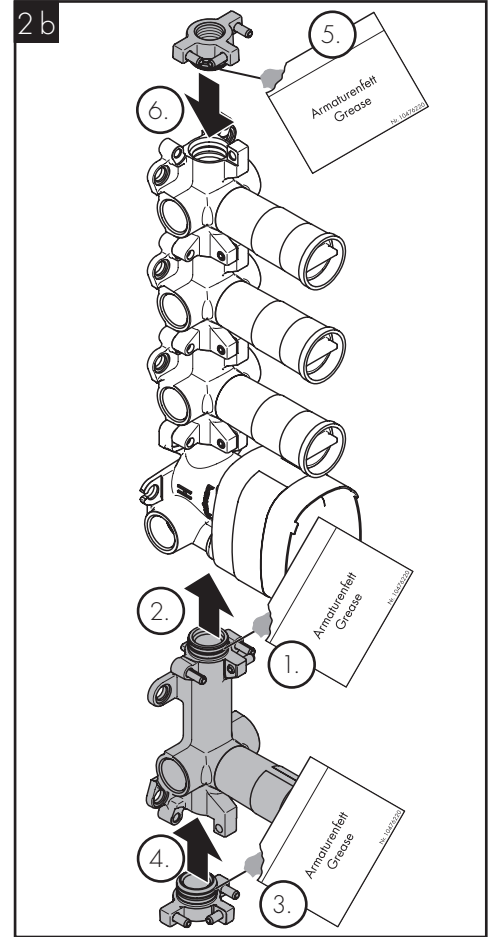
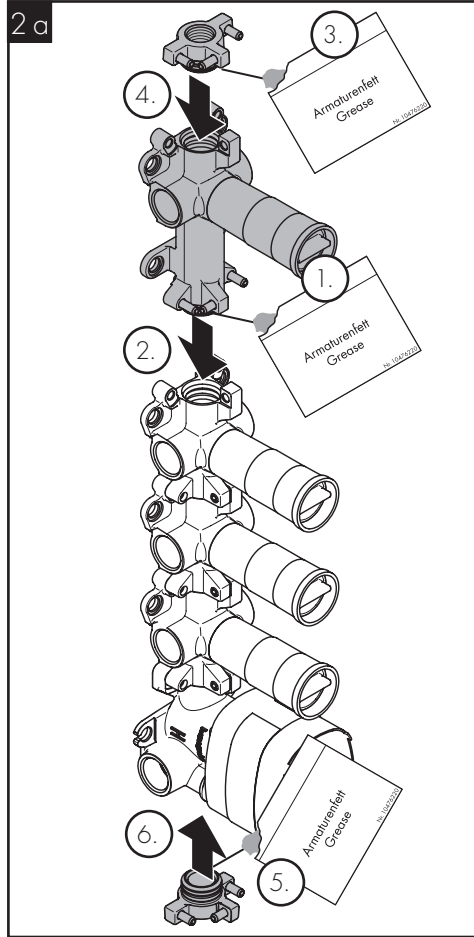
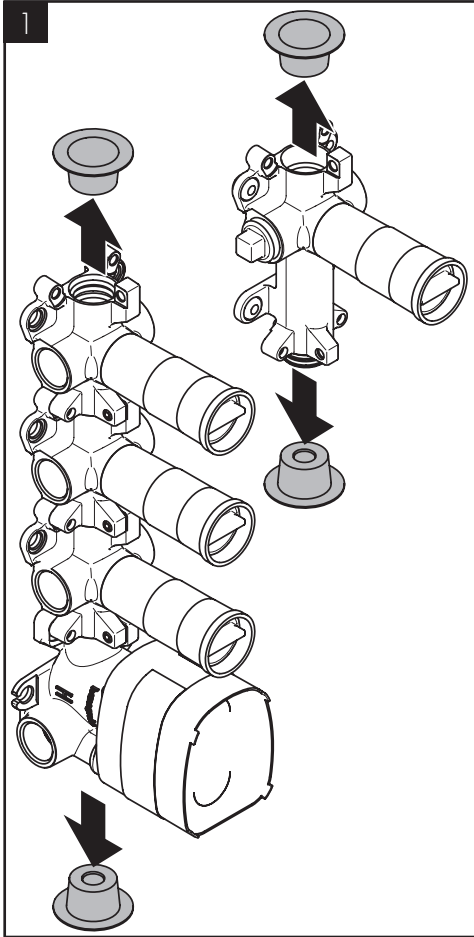


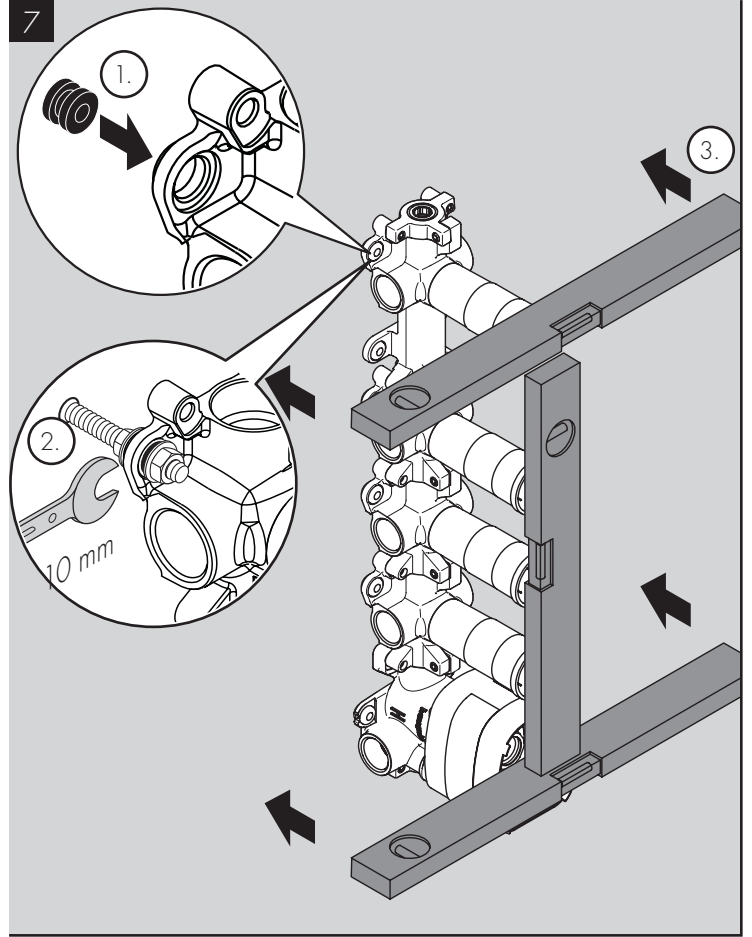
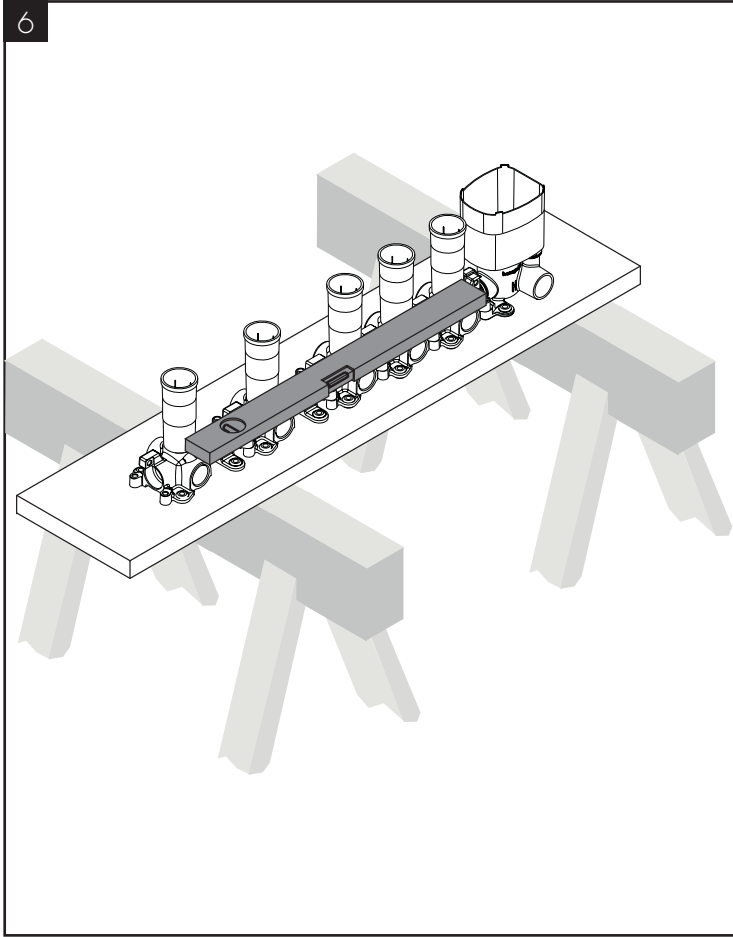




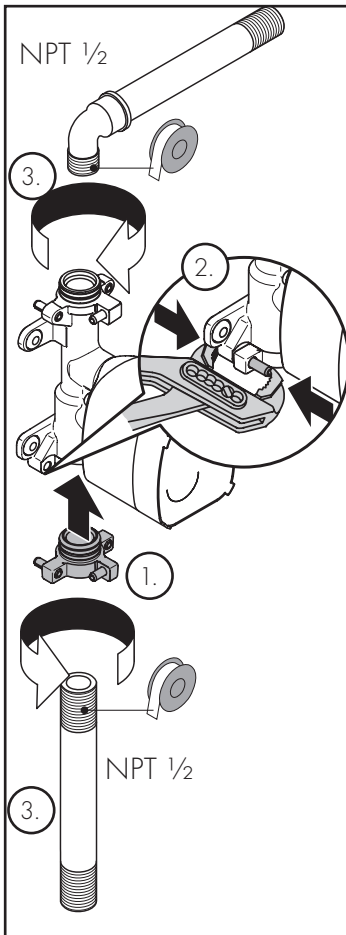




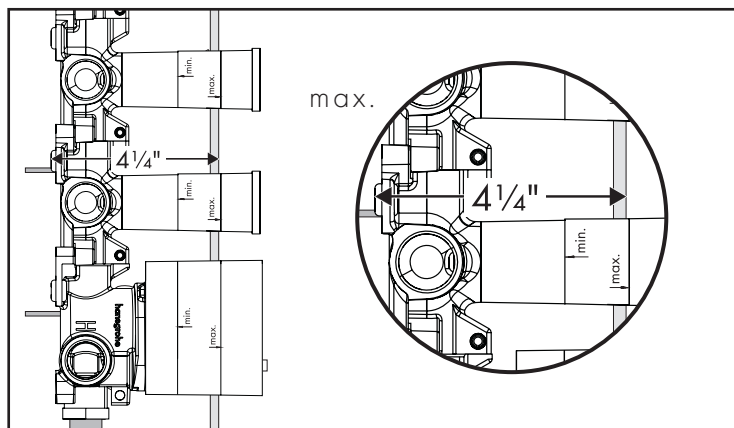
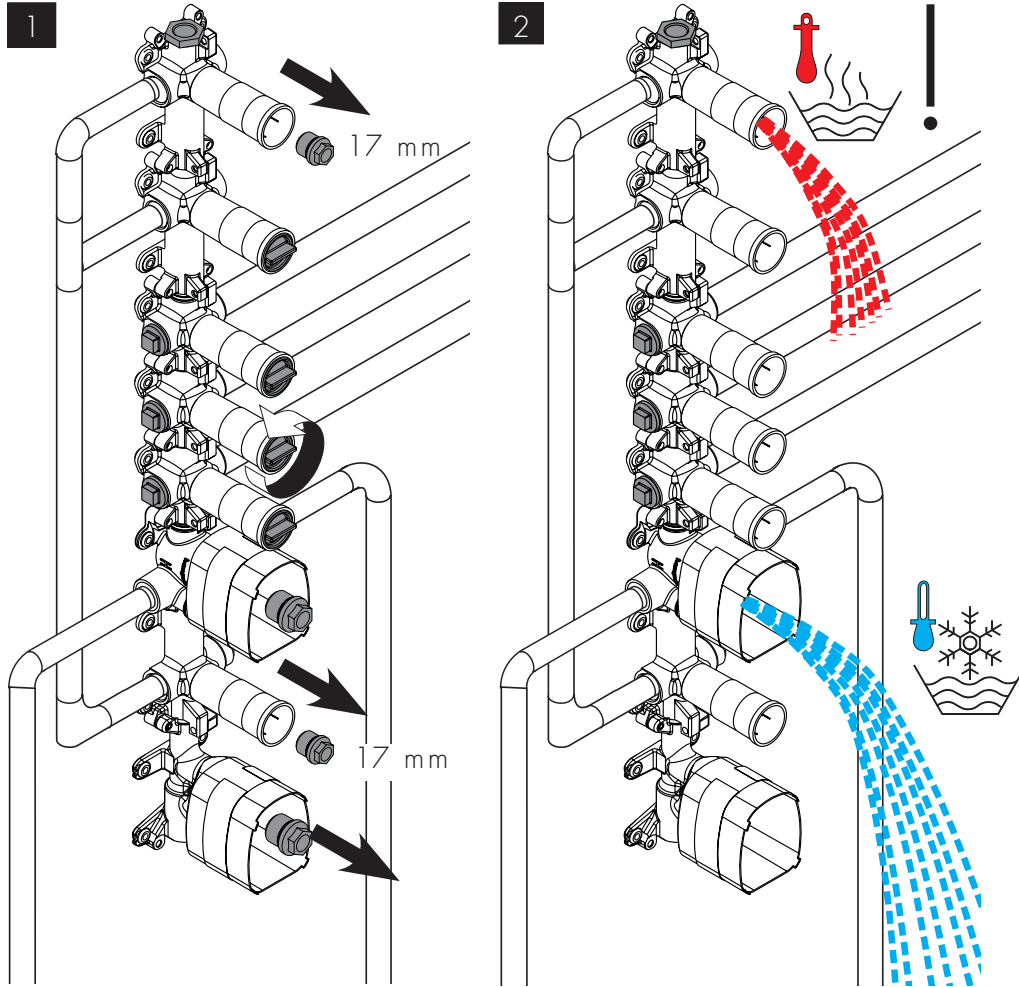




AXOR Starck
10650181



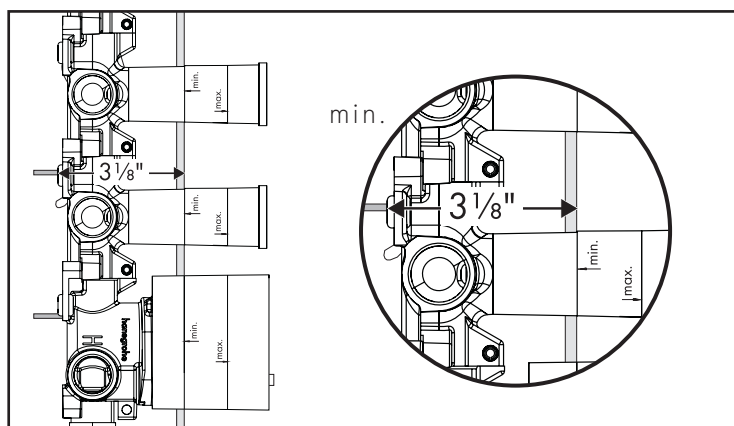
FLUSH THE PIPES / RINCER LES CONDUITES / LIMPIAR LOS CONDUCTOS



⚠ The outside surface of the finished wall must fall between the "min" and "max" markings on the plaster shields.

⚠ Installez le robinet de façon à ce que la surface extérieure du mur fini se trouve entre les lignes « minimum » et « maximum ».

⚠ Instale la válvula de modo que la superficie exterior de la pared terminada quede entre las marcas "min" y "max".



ENGLISH

Install sheet rock or backer board over the valves.

Seal the wall around the plaster shields using waterproof sealant.

Brush adhesive (not included) over the backer board.

⚠ Do not use hot glue.

Install the sealing gasket(s).

Cut the sealing gasket to size.

⚠ Do not allow the gaskets to overlap.

Install the tile or other finished wall material over the sealing gasket.

FRANÇAIS

Installez le panneau d'appui pour carrelage. Il doit atteindre les valves.

Scellez le mur autour de les valves à l'aide d'un agent d'étanchéité.

Appliquez un adhésif à l'épreuve de l'eau (non inclus) sur le panneau d'appui, autour de les valves.

⚠ N'utilisez pas de colle chaude car vous pourriez endommager le joint.

Installez le joint.

Couper les joints à la taille voulue.

⚠ Les joints ne doivent pas se chevaucher.

Installez les carreaux sur le joint.

ESPAÑOL

Instale el tablero de soporte de los azulejos. Debe llegar hasta la caja de instalación iBox.

Selle la pared alrededor de las válvulas con un sellador impermeable.

Aplique adhesivo (no incluido) a la pared alrededor de las válvulas.

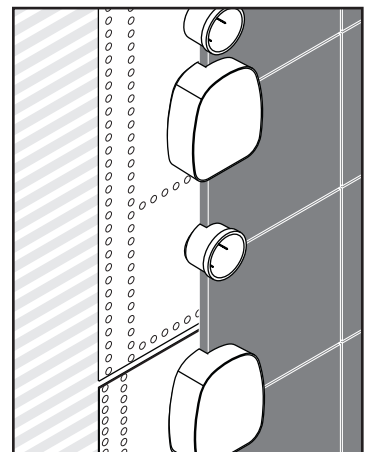
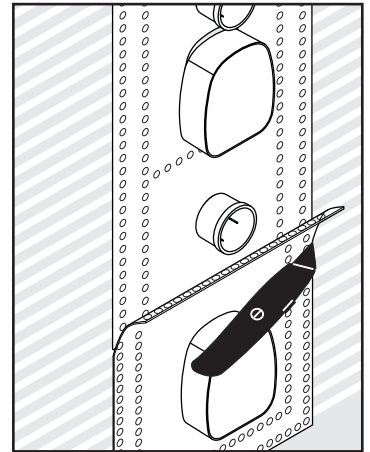
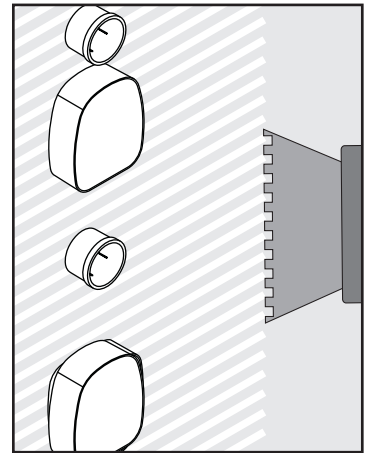
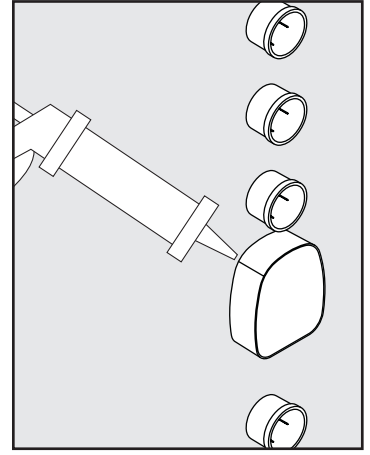
⚠ No use cola caliente, puesto que daña la junta.

Instale la junta.

Cortar la junta de estanqueidad.

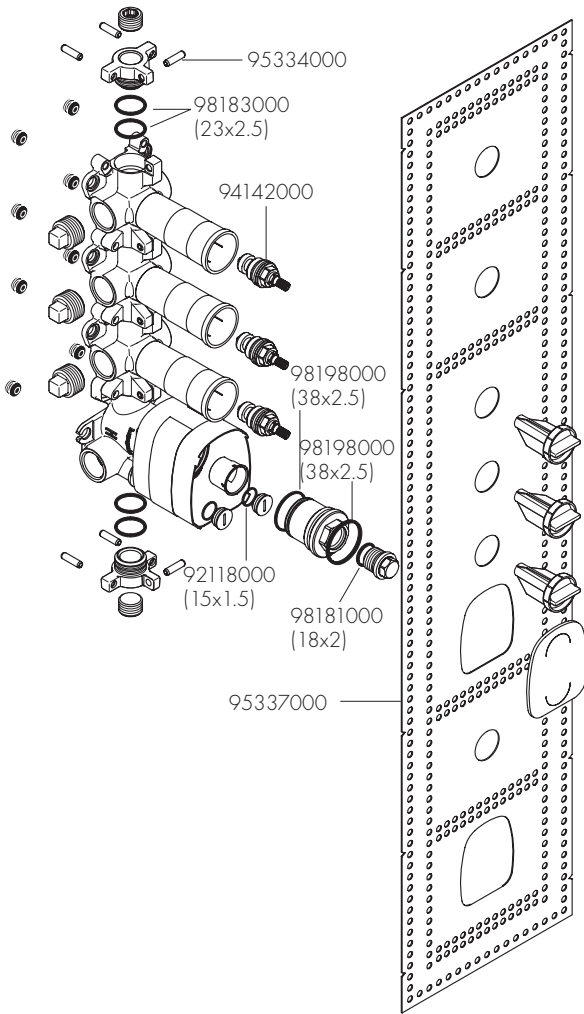
⚠ No deben sobreponerse las juntas de estanqueidad.

Instale el azulejo sobre la junta.

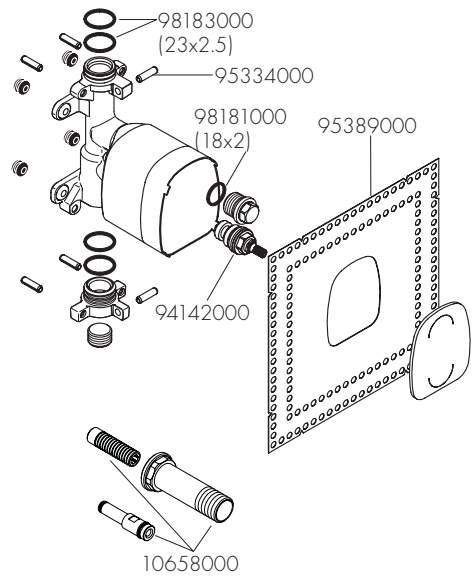


REPLACEMENT PARTS / PIÈCES DÉTACHÉES / REPUESTOS

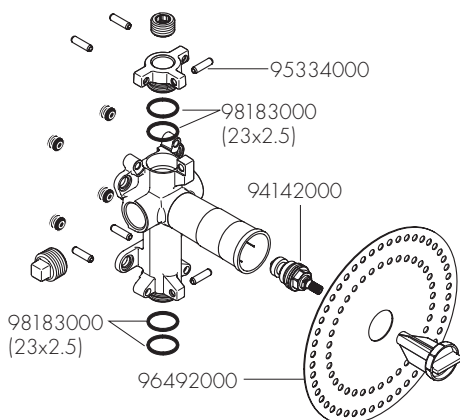
AXOR Thermostatic Module
10750181



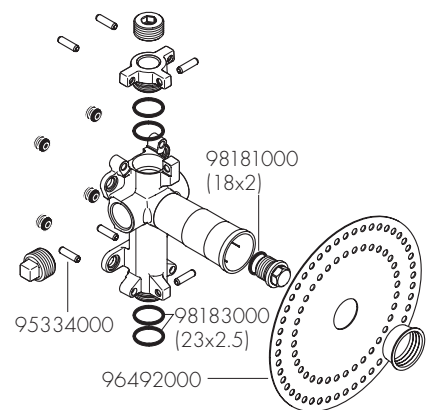
AXOR Handshower Module
10650181



AXOR Volume Control
10971181



AXOR Shower Module
28486181



LIMITED CONSUMER WARRANTY

This warranty is limited to products manufactured by Hansgrohe, Inc. ("Hansgrohe") that are purchased by a consumer in the United States or Canada after March 1, 1996, and installed in either the United States or in Canada.

WHO IS COVERED BY THE WARRANTY

This limited warranty extends to the original purchaser only. This warranty is non-transferable. Hansgrohe neither assumes nor authorizes any person to create for it any other obligation or liability in connection with this product.

LENGTH OF WARRANTY

If you are a consumer who purchased the product for use primarily for personal, family or household purposes, this limited warranty starts on the date of purchase and extends for as long as you own the product and the home in which the product is originally installed. If you purchased the product for use primarily for any other purpose, including, without limitation, a commercial purpose, this limited warranty starts on the date of purchase and extends (i) for 1 year, with respect to Hansgrohe and Commercial products, and (ii) for 5 years, with respect to Axor products. The Rubbed Bronze finish is subject to a 3-year limited warranty starting on the date of purchase.

WHAT IS COVERED BY THE WARRANTY

This limited warranty covers only your Hansgrohe manufactured product. Hansgrohe warrants this product against defects in material or workmanship as follows:

Hansgrohe will replace at no charge for parts only or, at its option, replace any product or part of the product that proves defective because of improper workmanship and/or material, under normal installation, use, service and maintenance. If Hansgrohe is unable to provide a replacement and repair is not practical or cannot be made in timely fashion, Hansgrohe may elect to refund the purchase price in exchange for the return of the product. REPAIR OR REPLACEMENT (OR, IN LIMITED CIRCUMSTANCES, REFUND OF THE PURCHASE PRICE) AS PROVIDED UNDER THIS LIMITED WARRANTY IS THE EXCLUSIVE REMEDY OF THE PURCHASER.

WHAT IS NOT COVERED BY THE WARRANTY

- A. Conditions, malfunctions or damage not resulting from defects in material or workmanship.
- B. Conditions, malfunctions or damage resulting from (1) normal wear and tear, improper installation, improper maintenance, misuse, abuse, negligence, accident or alteration; (2) the use of abrasive or caustic cleaning agents or "no-rinse" cleaning products, or the use of the product in any manner contrary to the product instructions; or (3) conditions in the home such as excessive water pressure or corrosion.

- C. Labor and other expenses for disconnection, deinstallation, or return of the product for warranty service (including but not limited to proper packaging and shipping costs), or for installation or reinstallation of the product.
- D. Accessories, connected materials and products, or related products not manufactured by Hansgrohe.
- E. Any Hansgrohe or Axor product sold for display purposes.

HANSGROHE SHALL NOT BE LIABLE TO PURCHASER OR ANY OTHER PERSON FOR ANY INCIDENTAL, SPECIAL OR CONSEQUENTIAL DAMAGES, ARISING OUT OF BREACH OF THIS LIMITED WARRANTY.

Some provinces and some states do not allow the exclusion or limitation of incidental or consequential damages, so the above limitation or exclusion may not apply to you.

TO OBTAIN WARRANTY PARTS OR INFORMATION

Contact your Hansgrohe retailer, or contact Technical Service at:

Hansgrohe, Inc.
1492 Bluegrass Lakes Parkway
Alpharetta, GA 30004
Toll-free 800-334-0455

In requesting warranty service, you will need to provide:

1. The sales receipt or other evidence of the date and place of purchase.
2. A description of the problem.
3. Delivery of the product or the defective part, postage prepaid and carefully packed and insured, to:

Hansgrohe, Inc.
1492 Bluegrass Lakes Parkway
Alpharetta, GA 30004
Toll-free 800-334-0455

When warranty service is completed, any repaired or replacement product or part will be returned to you postage prepaid. REVISED MAY 1, 2016.

PRODUCT INSTRUCTIONS AND QUESTIONS

Upon purchase or prior to installation, please carefully inspect your Hansgrohe product for any damage or visible defect. Prior to installing, always carefully study the enclosed instructions on the proper installation and the care and maintenance of this product. If you have questions at any time about the use, installation or performance of your Hansgrohe product, or this warranty, please write us or call us toll-free at 800-334-0455.

AXOR

AXOR / Hansgrohe, Inc.
1490 Bluegrass Lakes Parkway
Alpharetta, GA 30004

Tel. 800-334-0455
Fax 770-889-1783

axor-design.com