

Installation Guide

Replacement Filter Cartridge

Français, page "Français-1"
Español, página "Español-1"

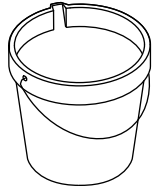
THE BOLD LOOK
OF **KOHLER**®

1367547-2-B

Tools and Materials



Permanent
Marker



Bucket

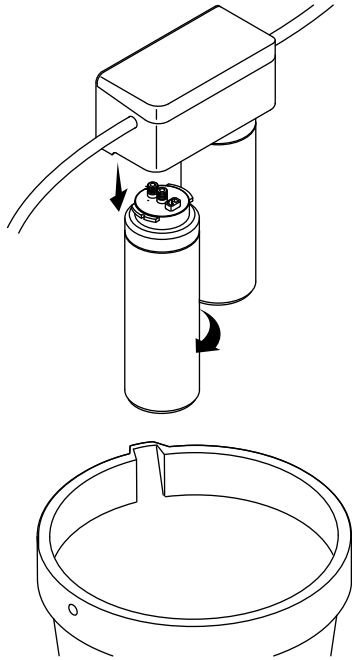


Rags

Before You Begin

NOTICE: If this device is not maintained and operated as specified in the homeowner's guide, there is a risk of exposure to contaminants.

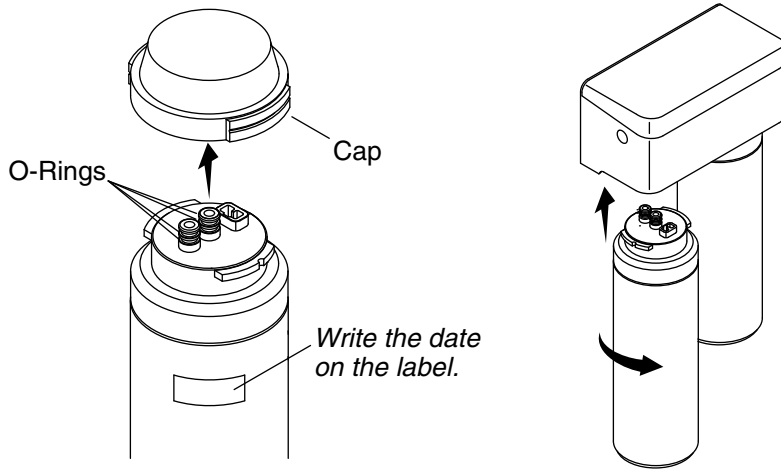
- Replace the filter cartridges every 6 months, when the capacity has been exceeded, or when a noticeable decrease in water flow is observed.



1. Remove Existing Filter Cartridge

NOTE: Used filter cartridges can be recycled. **In the U.S. only,** follow the instructions on the envelope provided. Drain as much water as possible from the used filter cartridge before shipping.

- Position a bucket, pan, or rag under the filtration system to catch residual water.
- Turn the filter cartridge 90° clockwise, and pull-down gently to remove.
- Discard or recycle the used filter cartridge.



2. Install New Filter Cartridge

IMPORTANT! To maintain proper performance, replace both cartridges at the same time.

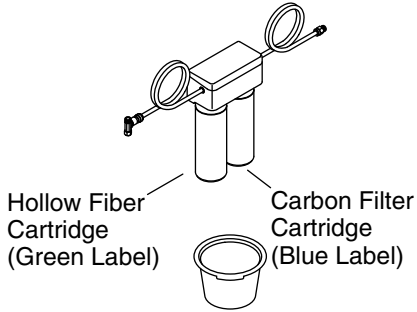
NOTE: See the "Condition New Cartridges" section for cartridge orientation and conditioning instructions.

- Write the installation date on the new filter cartridge label.
- Remove and discard the cap from the filter cartridge.
- Inspect the filter cartridge for damage.
- Verify that both sets of O-rings are present and are positioned correctly in the grooves.

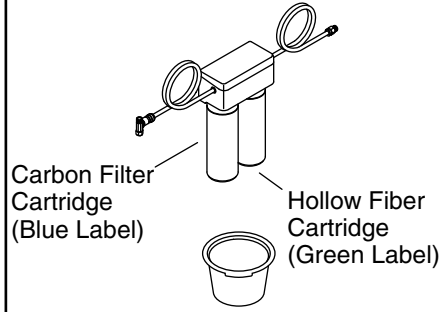
NOTE: The filter cartridge will only engage into the filter head one way. Do not force the components.

- Align the filter cartridge so the label is to the left, and press upward so the filter cartridge key engages into the filter head.
- Use your hand to rotate the filter cartridge counterclockwise 90° until it stops and is securely engaged into the filter head.

New Cartridge Conditioning



Cartridges In Use



3. Condition New Cartridges

- Install the hollow fiber cartridge (green label) in the left cartridge position.
- Install the carbon filter cartridge (blue label) in the right cartridge position.
- Turn on the cold water supply and check all connections for leaks.
- Run water through the faucet for 10 minutes to remove any air and carbon particles from the system.
- Turn off the water.
- Remove both cartridges.
- Install the carbon filter cartridge (blue label) in the left cartridge position.
- Install the hollow fiber cartridge (green label) in the right cartridge position.

4. Installation Checkout

- Check the filter cartridge connections for leaks. Repair as needed.
- Run water through the faucet for at least 5 minutes to remove any air and carbon particles in the system.

Troubleshooting

This troubleshooting guide is for general aid only. For warranty service, contact your dealer or wholesale distributor.

For service parts and replacement filter cartridges, visit your product page at kohler.com.

Symptoms	Probable Causes	Recommended Action
1. Water leaks between the filter head and the filter cartridge.	A. An O-ring is damaged, dirty, or out of place.	A. Turn off the water supply, and relieve water pressure. Remove the filter cartridge and inspect the O-rings for damage or debris, and ensure that the O-rings are in place. Replace or reinstall the filter cartridge, turn on the water supply, and check for water leakage.

Kohler Aquifer® Filtration System
Replacement 2-Pack Cartridges (Carbon Block and Hollow Fiber):
K-29651-NA. Replacement Hollow Fiber Only: K-29639-NA.

Model Series: K-29638 Aquifer® + System
Flow Rate: 0.85 gpm (3.21 lpm)
Capacity: 389 gal (1,472 L)



The K-29638 model is tested and certified by IAPMO R&T against CSA B483.1; NSF/ANSI Standard 42 for the aesthetic reduction of chloramines and Particulate Class I; NSF/ANSI Standard 53 for the reduction of asbestos, cysts, lead, mercury, MTBE, turbidity and VOC; NSF/ANSI Standard 401 for the reduction of Phenytoin, Bisphenol A, Estrone, Ibuprofen, Naproxen, Nonyl phenol, Meprobamate, Atenolol, Carbamazepine, DEET, Metalochlor, Trimethoprim, Linuron, TCEP, TCPP; conforms to NSF Protocol P473 for the reduction of Perfluorooctanoic acid (PFOA) and Perfluorooctane sulfonate (PFOS); conforms to NSF Protocol P231 for microbiological water purifiers.

See Performance Data Sheet for individual contaminants and reduction performance.

These systems conform to NSF/ANSI 42, 53, and 401, and NSF Protocol P473 for the specific performance claims as certified and substantiated by test data.

The compounds certified under NSF/ANSI 401 have been deemed as emerging contaminants.

Specifications

For conditions of use and replacement parts, refer to this guide and the Performance Data Sheet.

Do not use on water that is microbiologically unsafe or of unknown quality without adequate disinfection before or after this filter system. Systems certified for cyst reduction may be used on disinfected waters that may contain filterable cysts.

Operating Pressure: 40 psi (276 kPa) - 120 psi (827 kPa)

Operating Temperature: 33°F (0.5°C) - 100° (37.8°C)

Specifications (cont.)

Service parts and replacement cartridges are available from your local distributor, or directly from Kohler Co.:

Kohler Co., 444 Highland Drive, Kohler, Wisconsin, 53044