

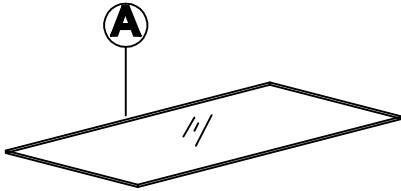
OAKLAND GLASS DINING TABLE ASSEMBLY INSTRUCTIONS



PARTS PACKING CONFIGURATIONS

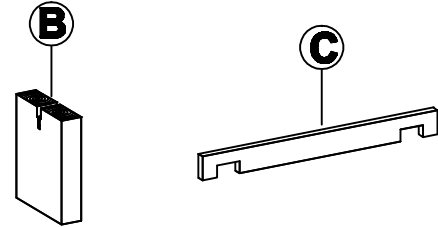
BOX #1

A. GLASS TOP 1 PC



BOX #2

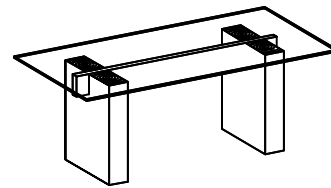
B. PEDESTAL BASE 2 PCS
C. STRETCHER 1PC



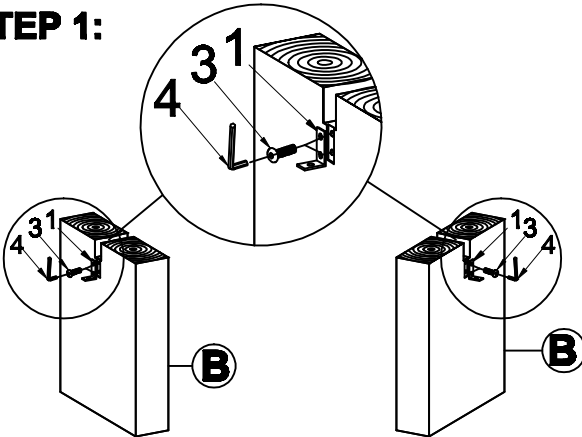
HARDWARE PACKED WITH BOX #2

No	Description	Photo	Quantity
1	L BRACKET		4 PCS
2	GLASS BUMPER		6 PCS
3	ALLEN BOLT (5/16 x 5/8)		12 PCS
4	ALLEN KEY		1 PC

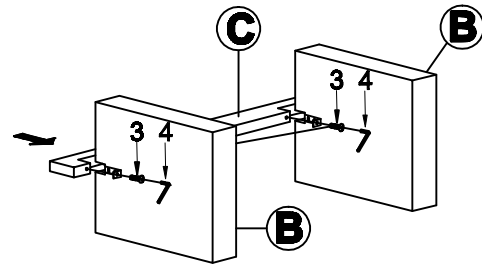
OAKLAND DIN GLASS TBL FULLY ASSEMBLED



STEP 1:

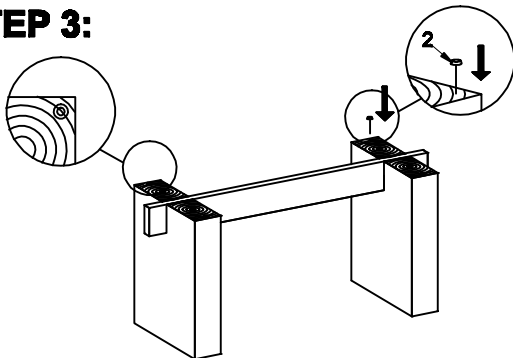


STEP 2:



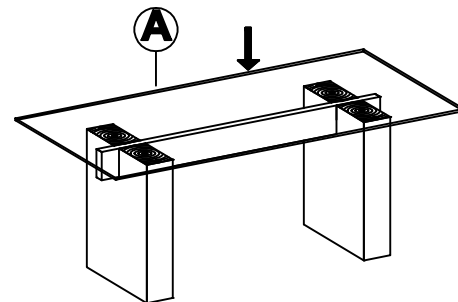
LAY BOTH PEDESTAL BASES ON SIDE TO ATTACH STRETCHER

STEP 3:

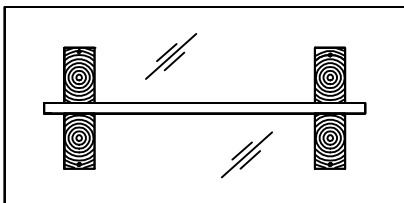


BUMPERS SHOULD BE APPLIED TO BOTH PEDESTALS TO PREVENT GLASS FROM MOVING

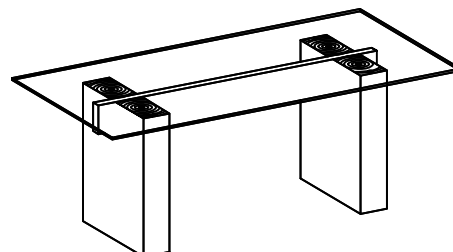
STEP 4:



POSITION PEDESTALS UNDER GLASS TOP TO PROVIDE MAXIMUM SUPPORT DURING USE



APPROXIMATE PEDESTAL LOCATION UNDERNEATH GLASS TOP



FULLY ASSEMBLED